



# Service Repair Manual

## **Models**

**320, 320 L, 320 N AND  
320 S EXCAVATOR**

---

Product: EXCAVATOR

Model: 320-A N EXCAVATOR 9WG

Configuration: 320, 320 L, 320 N AND 320 S EXCAVATORS 9WG00723-UP (MACHINE) POWERED BY 3116 ENGINE

## Disassembly and Assembly

**446 and 446B Backhoe Loaders, Lexion 450 Combine, 3114 and 3116 Engines, IT18F Integrated Toolcarrier, D6M Track-Type Tractor and 928F, 950F and 950G Wheel Loaders**

Media Number -SEN3611-18

Publication Date -01/05/2009

Date Updated -27/05/2009

i01928670

## Fuel Transfer Pump - Remove

SMCS - 1256-011

### Removal Procedure

**Note:** The governor and the fuel transfer pump have been removed from the engine for photographic purposes only. This procedure may be done with the governor on the engine.

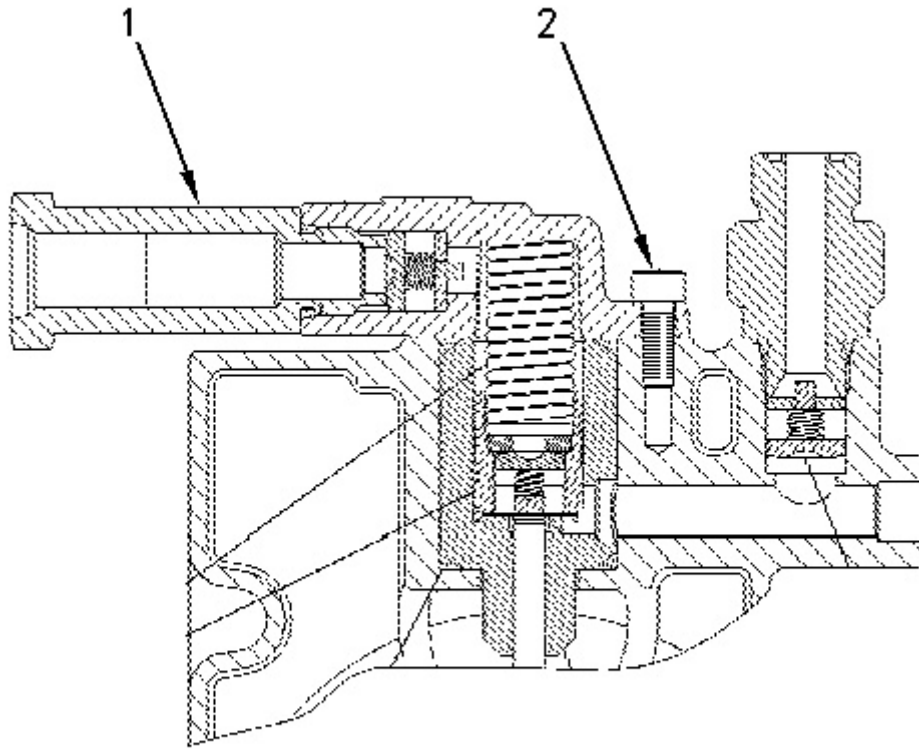


---

Illustration 1

g00623633

---



---

Illustration 2

g00623671

 **WARNING**

**Personal injury can result from parts and/or covers under spring pressure.**

**Spring force will be released when covers are removed.**

**Be prepared to hold spring loaded covers as the bolts are loosened.**

---

1. Hold cover (1) in place and remove bolts (2) in order to release the spring beneath cover (1). Remove cover (1).
-

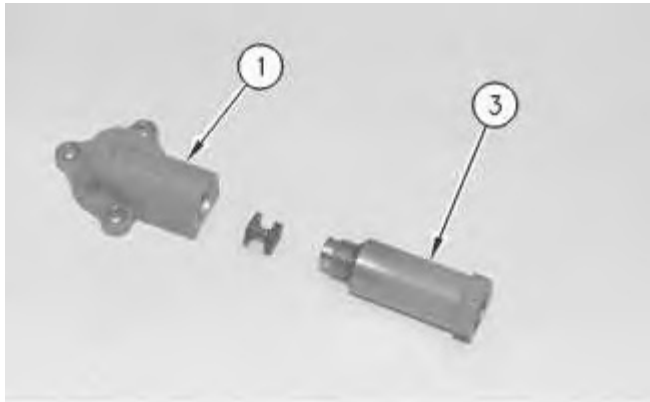


Illustration 3

g00623686

2. Remove fitting (3) and the check valve from cover (1). Remove the filter screen (if equipped) from fitting (3).

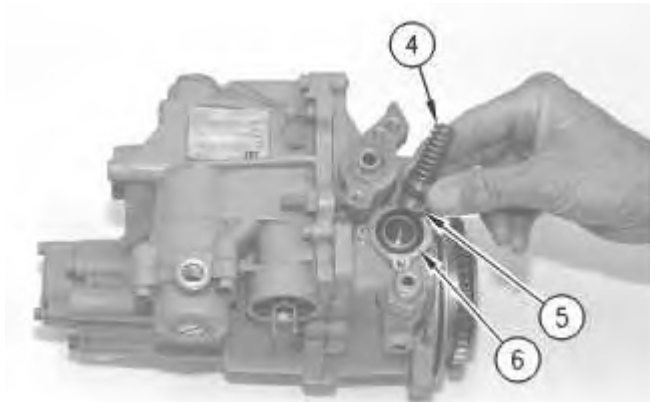


Illustration 4

g00623687

3. Remove spring (4) and piston (5).
4. Remove upper O-ring seal (6).

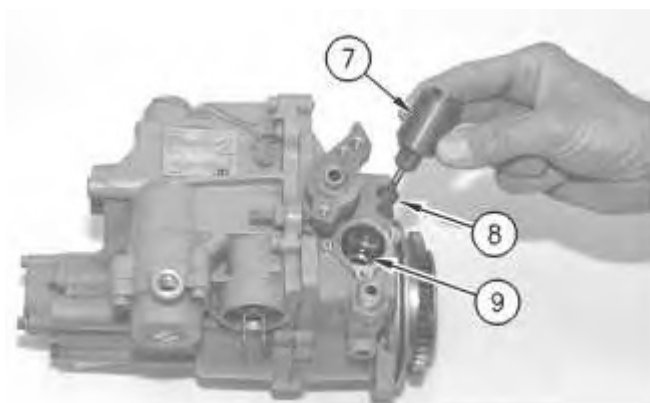


Illustration 5

g00623714

5. Remove sleeve assembly (7). Inspect the face of lifter (8) for excessive wear. Inspect the surface of the camshaft that is inside of the governor for excessive wear or damage.
6. Remove lower O-ring seal (9).

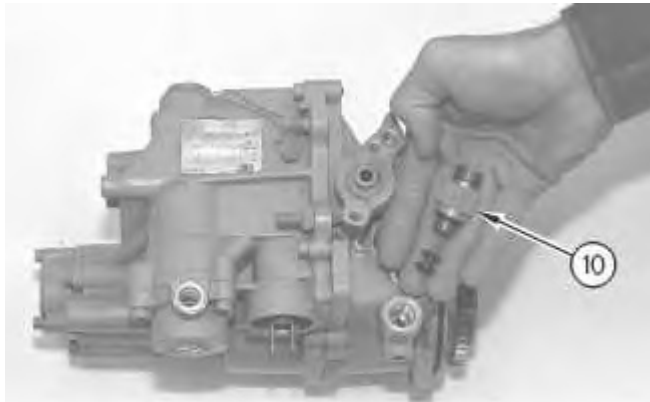


Illustration 6

g00623719

7. Remove fitting (10) and the check valve.

**Note:** For information on reusability of the components in the fuel transfer pump, refer to Guideline For Reusable Parts And Salvage Operations, SEBF8434, "3100 Governor Inspection and General Information for Mechanical Governor Groups Used in 3114, 3116, and 3126 Engines Equipped with Mechanical Unit Injectors (MUI)".

Thank you so much for reading.  
Please click the “Buy Now!”  
button below to download the  
complete manual.



After you pay.

You can download the most  
perfect and complete manual in  
the world immediately.

Our support email:

[ebooklibonline@outlook.com](mailto:ebooklibonline@outlook.com)