



Service Repair Manual

Models

320C U and 320C LU
Excavator

Product: EXCAVATOR

Model: 320C EXCAVATOR CLM

Configuration: 320C U 320C LU Excavators CLM00001-UP (MACHINE) POWERED BY 3066 Engine

Disassembly and Assembly 320C Excavator Machine Systems

Media Number -REN3826-16

Publication Date -01/11/2014

Date Updated -30/03/2016

i01972490

Pump Drive Group - Disassemble - Auxiliary

SMCS - 3108-015

Disassembly Procedure

Table 1

Required Tools			
Tool	Part Number	Part Description	Qty
A	1U-7600	Slide Hammer Puller Group	1
	4C-5648	Male Adapter Kit	1
B	1U-7600	Slide Hammer Puller Group	1
	4C-5663	Female Adapter Kit	1
		Threaded Rod (M 12) 150 mm (5.9 inch)	1

Start By:

- a. Remove the auxiliary pump drive. Refer to Disassembly and Assembly, "Pump Drive Group - Remove".

Note: Cleanliness is an important factor. Before the disassembly procedure, the exterior of the component should be thoroughly cleaned. This will prevent dirt from entering the internal mechanism.



Illustration 1

g01023965

1. Remove alignment pins (1).



Illustration 2

g01023966

2. Remove bolts (2). Remove cover (3).



Illustration 3

g00722009

3. Remove O-ring seal (4) from cover (3).

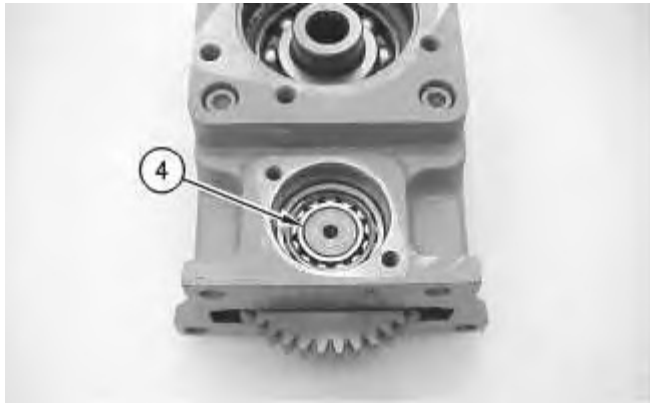


Illustration 4

g00722011

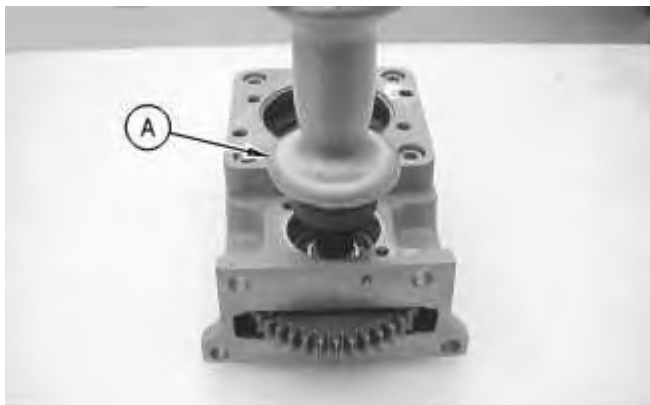


Illustration 5

g00722012

4. Use Tooling (A) in order to remove shaft (4A) and the bearing.
5. Remove Tooling (A) from the shaft.

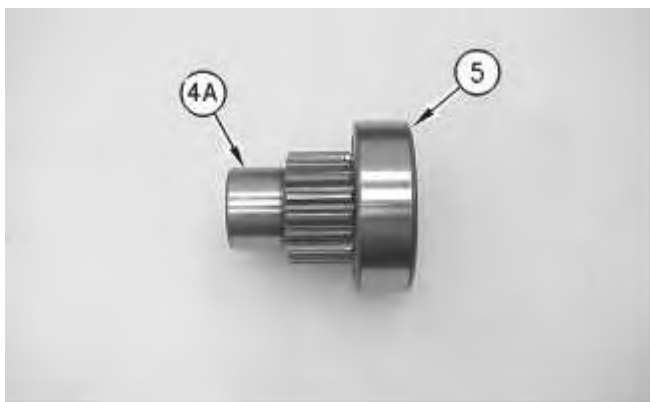


Illustration 6

g00913419

6. Remove bearing (5) and the bearing race from shaft (4A).
-

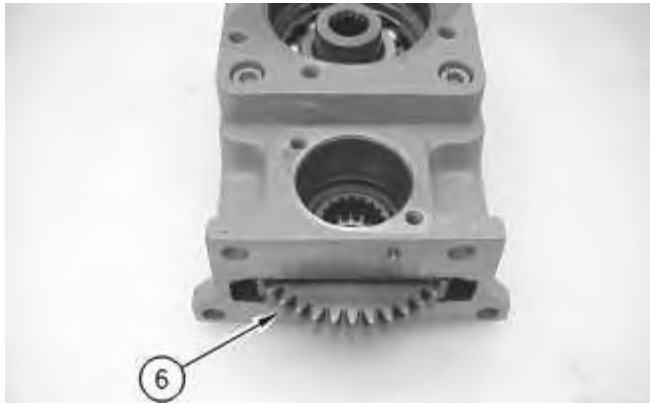


Illustration 7

g00722020

7. Remove gear (6) from the body.



Illustration 8

g00722022

8. Remove bearing (7) and the bearing race from the body.

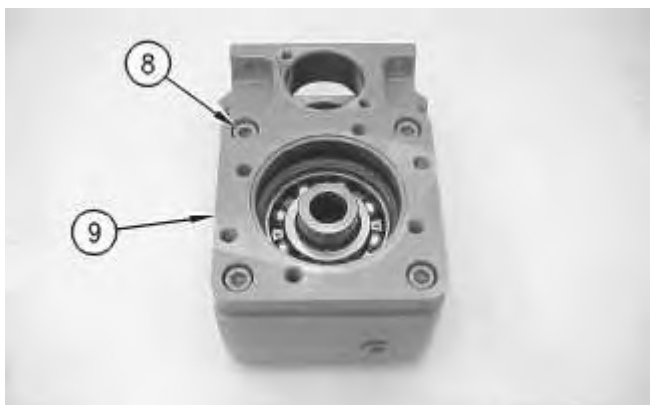


Illustration 9

g00722024

9. Remove bolts (8). Remove cover (9).
-

Thank you so much for reading.
Please click the “Buy Now!”
button below to download the
complete manual.



After you pay.

You can download the most
perfect and complete manual in
the world immediately.

Our support email:

ebooklibonline@outlook.com