



Service Repair Manual

Models

320D2 Excavator

Product: EXCAVATOR

Model: 320D2 EXCAVATOR LCA

Configuration: 320D2 & 320D2 L Excavators LCA00001-UP (MACHINE) POWERED BY C7.1 Engine

Disassembly and Assembly C7.1 (Mech) Engines for Caterpillar Built Machines

Media Number -UENR0674-08

Publication Date -01/06/2015

Date Updated -23/01/2017

i04780457

Fuel Injection Pump Gear - Remove

SMCS - 1251-011

Removal Procedure

Table 1

Required Tools			
Tool	Part Number	Part Description	Qty
A ⁽¹⁾	9U-7336	Crankshaft Turning Tool	1
A ⁽²⁾	5P-7305	Housing	1
	5P-7305	Engine Turning Tool	1
B	230-6284	Timing Pin (Camshaft)	1
C	136-4632	Timing Pin (Crankshaft)	1
	268-1966	Adapter	1
D	-	Puller (Three Leg)	1

⁽¹⁾ The Crankshaft Turning Tool is used on the front pulley.

⁽²⁾ This Tool is used in the aperture for the electric starting motor.

Start By:

- a. Remove the front cover. Refer to Disassembly and Assembly, "Front Cover - Remove and Install".

Note: Either Tooling (A) can be used. Use the Tooling that is most suitable.

NOTICE

Keep all parts clean from contaminants.

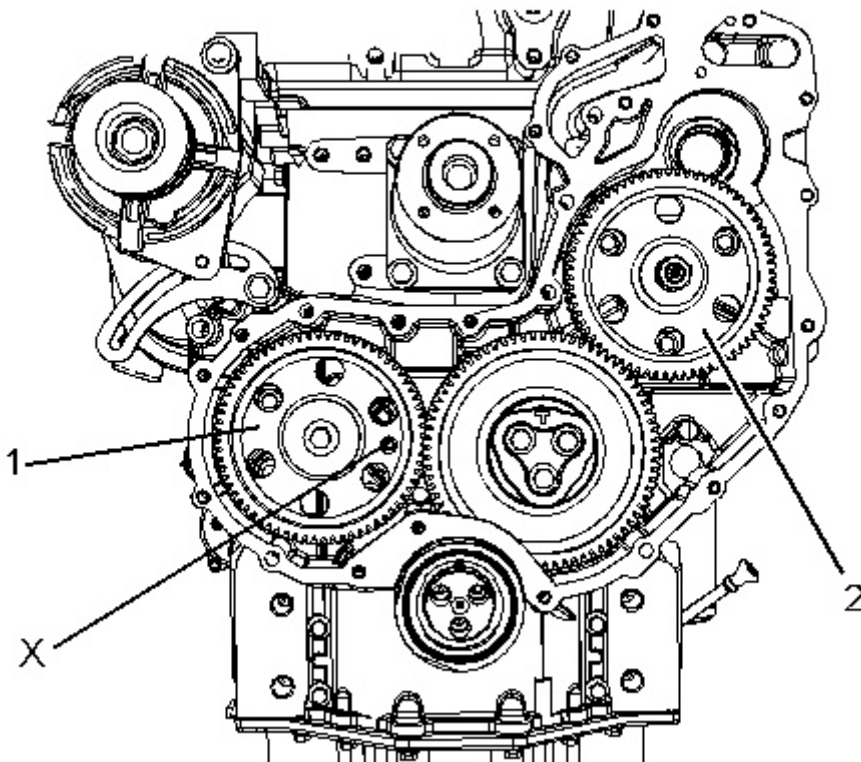
Contaminants may cause rapid wear and shortened component life.

NOTICE

Care must be taken to ensure that fluids are contained during performance of inspection, maintenance, testing, adjusting and repair of the product. Be prepared to collect the fluid with suitable containers before opening any compartment or disassembling any component containing fluids.

Dispose of all fluids according to local regulations and mandates.

Note: Care must be taken in order to ensure that the fuel injection pump timing is not lost during the removal of the fuel pump gear. Carefully follow the procedure in order to remove the fuel pump gear.



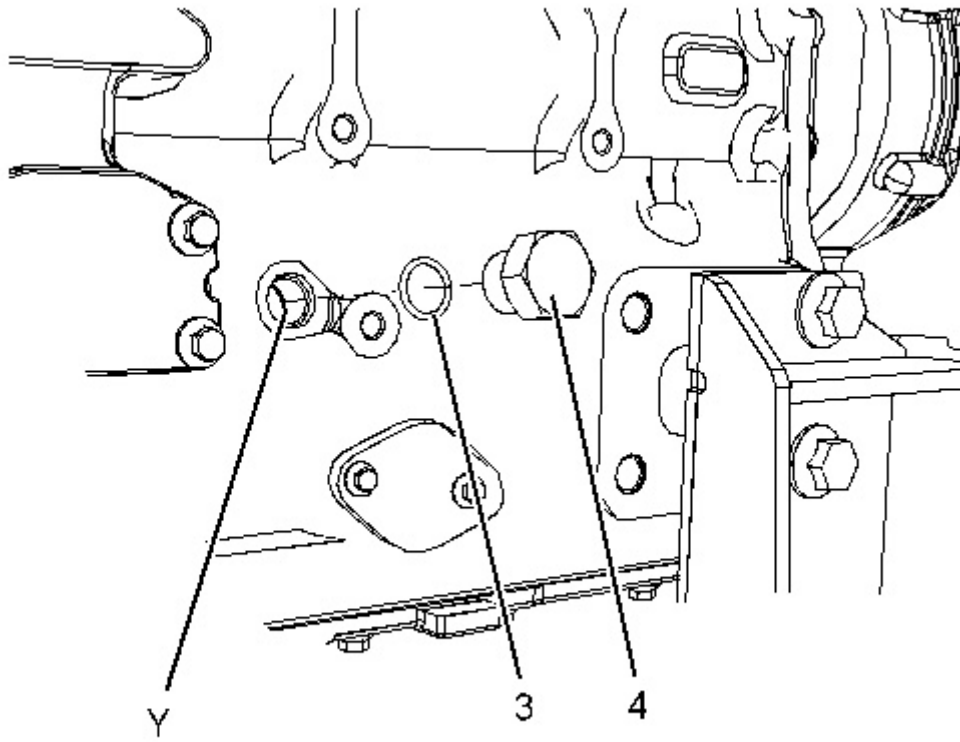


Illustration 2

g02695979

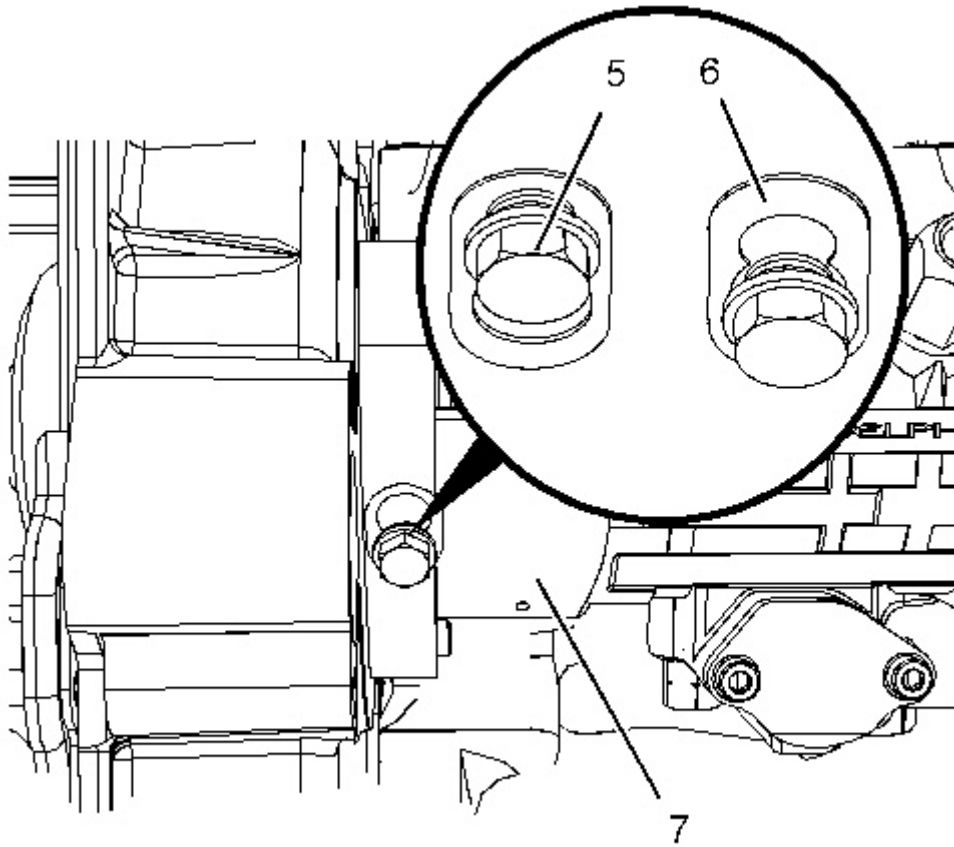


Illustration 3
With Electronic Governor

g02695996

Thank you so much for reading.
Please click the “Buy Now!”
button below to download the
complete manual.



After you pay.

You can download the most
perfect and complete manual in
the world immediately.

Our support email:

ebooklibonline@outlook.com