



# Service Repair Manual

## **Models**

# 329DL EXCAVATOR

---

A	1P-2420	Transmission Repair Stand	1
B	138-7573	Link Bracket	2
D	138-7574	Link Bracket	2
G	126-3994	Duo-Cone Seal Installer	1
H	5P-3931	Anti-Seize Compound	
F	1U-8846	Gasket Sealant	

**Note:** Cleanliness is an important factor. Before assembly, all parts should be cleaned in cleaning fluid. Allow the parts to air dry. Wiping cloths or rags should not be used to dry parts. Lint may be deposited on the parts which may cause later trouble. Inspect all parts. If any parts are worn or damaged, use new parts for replacement. All disassembly and all assembly procedures must be performed on a clean work surface and in a clean hydraulic area. Keep cleaned parts covered and protected at all times.

**Note:** O-rings, gaskets, and seals should always be replaced. A used O-ring may not have the same sealing properties as a new O-ring. Use **1U-6396** O-Ring Assembly Compound during the assembly procedure.

**Note:** Apply a light film of hydraulic oil to all components before assembly.

1. Install the final drive sprocket if the sprocket was removed from the main housing.
2. Refer to Disassembly and Assembly, "Final Drive Sprocket - Remove and Install".

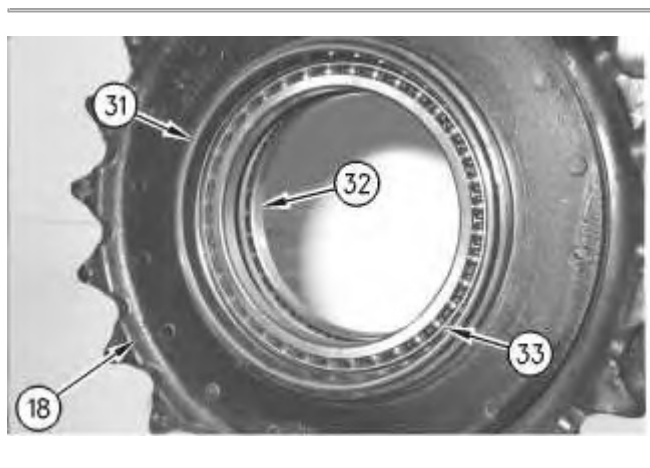


Illustration 1

g00708215

3. Apply Tooling (H) to the outer diameter of the bearings.
4. Install bearings (32) and (33) in main housing (18) with a suitable press.
5. Make sure that bearing (32) and bearing (33) contact the counterbore in the main housing.
6. Use the following procedure to preload the bearings and determine the correct thickness of shims.

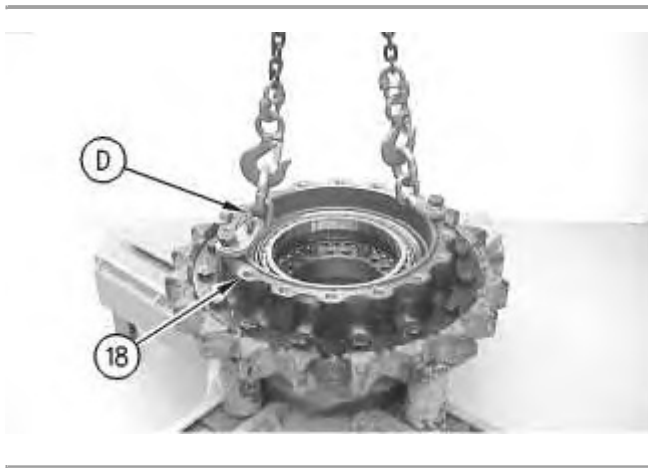


Illustration 2

g00713058

- a. Fasten Tooling (D) and a suitable lifting device to main housing (18) . Install the main housing on the motor housing.
- b. Put the main housing and the motor housing in a suitable press.

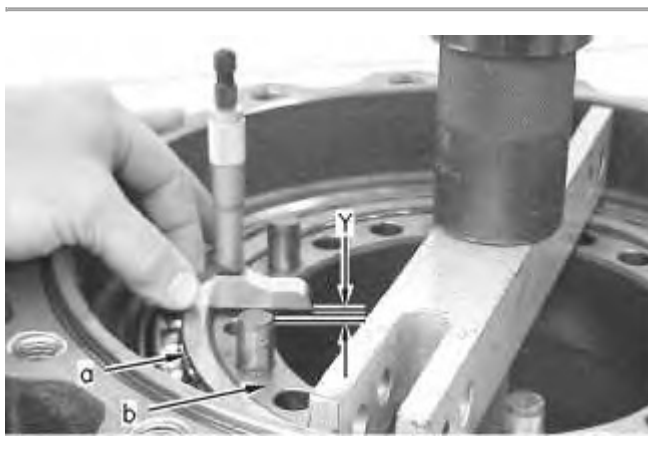


Illustration 3

g00709278

- (a) Bearing surface
  - (b) Housing surface
- c. Use a suitable press and a spacer in order to apply a load of 4000 kg (8818.5 lb) on the bearings. Rotate the housing in order to seat the bearings.
  - d. Reduce the load on the bearings to  $1000 \pm 100$  kg ( $2204.6 \pm 220.5$  lb).
  - e. Use a depth micrometer in order to measure the step length between the bearing surface and the housing surface. Take measurements at several different locations around the housing. Compute the average of the measured dimensions and record the number. Call this Dimension (Y) .
-

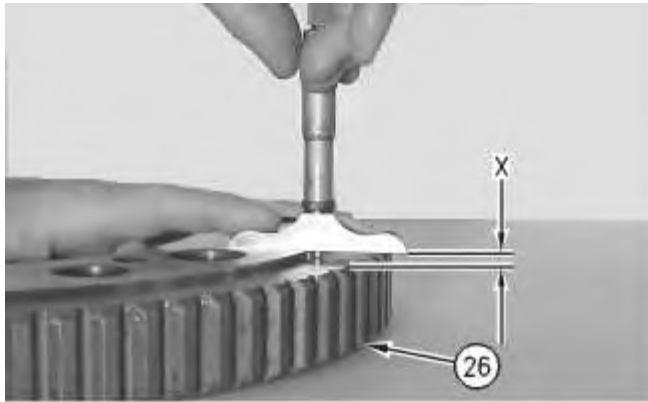


Illustration 4

g00709276

- f. Use a depth micrometer in order to measure the step length of the coupling gear (26) . Take measurements at several different locations around the gear. Compute the average of the measured dimensions and record the number. Call this Dimension (X) .
  - g. The thickness of the shims is equal to  $(X - Y) \pm 0.05$  mm (0.002 inch).
- Note:** Use no more than two shims. If two shims are required, install the thinner shim next to the gear.
- h. Remove the main housing from the motor housing.



Illustration 5

g01021370

7. Use Tooling (G) in order to install Duo-Cone seal (31) in main housing (18) . Refer to Disassembly and Assembly, "Duo-Cone Conventional Seals - Install".

**Note:** The rubber seals and all surfaces that contact the seals must be clean and dry. After installation of the seals, put clean SAE 30 oil on the contact surfaces of the metal seals.



Illustration 6

g01021371

8. Use Tooling (G) in order to install Duo-Cone seal (29) in motor housing (28) .

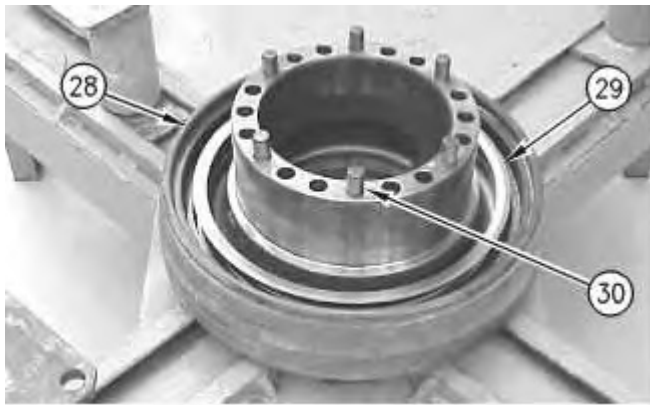


Illustration 7

g00708214

9. Apply Tooling (H) to the surfaces that contact pins (30) .
10. Install alignment pins (30) .

**Note:** Do not damage the Duo-Cone seals in the main housing or in the motor housing during the assembly of the two components. After installation of the main housing on the motor housing, there will be a small gap between the components. The gap is caused by the Duo-Cone seals. This gap will be eliminated during installation of gear (26) .

Thank you so much for reading.  
Please click the “Buy Now!”  
button below to download the  
complete manual.



After you pay.

You can download the most  
perfect and complete manual in  
the world immediately.

Our support email:

[ebooklibonline@outlook.com](mailto:ebooklibonline@outlook.com)