



Service Repair Manual

Models

420D BACKHOE LOADER

Product: BACKHOE LOADER

Model: 420D BACKHOE LOADER BLN

Configuration: 420D Backhoe Loader BLN00001-04543 (MACHINE) POWERED BY 3054 Engine

Disassembly and Assembly 3054C Engines for Caterpillar Built Machines

Media Number -SEN5069-18

Publication Date -01/05/2015

Date Updated -19/09/2018

i02294252

Crankshaft Pulley - Remove and Install

SMCS - 1205-010

Removal Procedure

Start By:

- a. Remove the V-Belts. Refer to Disassembly and Assembly, "V-Belts - Remove and Install".

NOTICE

Keep all parts clean from contaminants.

Contaminants may cause rapid wear and shortened component life.

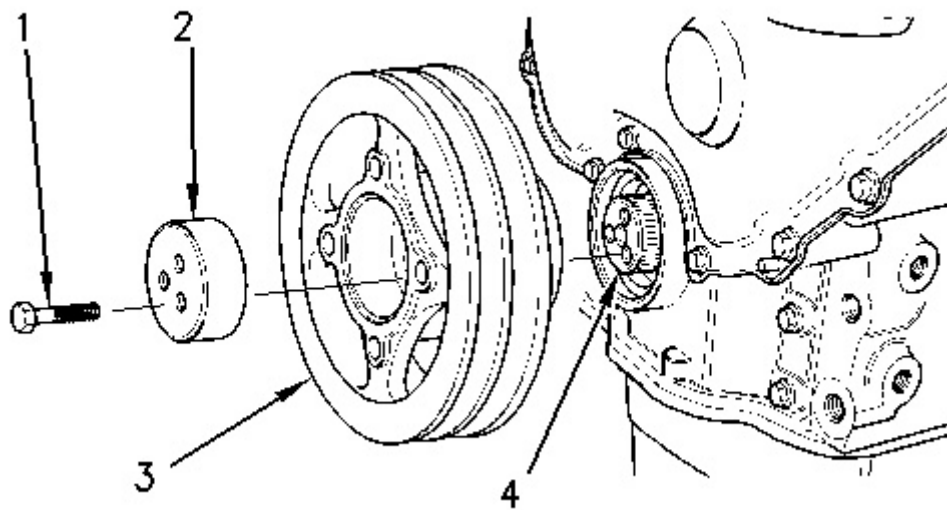


Illustration 1

g00952102

1. Remove the setscrews (1). Remove the thrust block (2).
2. Remove the pulley (3) from the crankshaft (4).

Installation Procedure

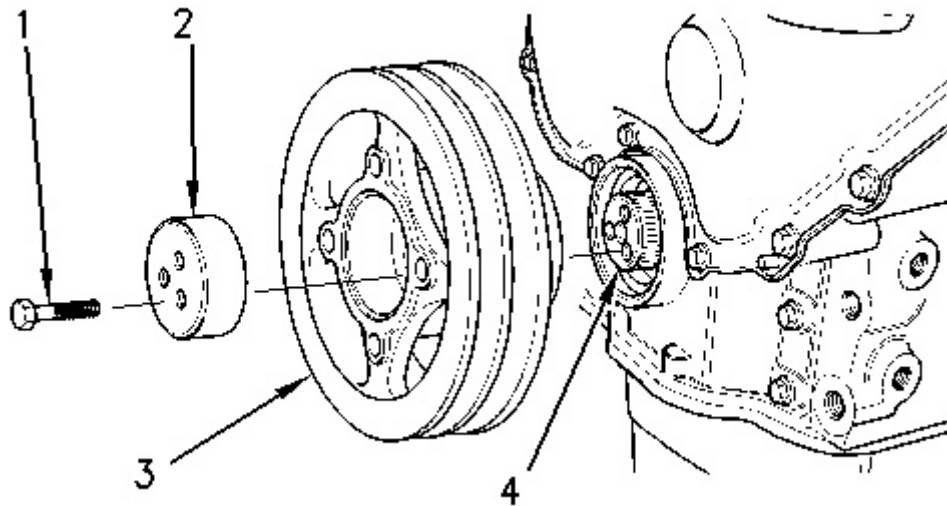


Illustration 2

g00952102

1. Clean the pulley (3) and clean the thrust block (2). Inspect the pulley (3) and the thrust block (2) for wear and for damage. If necessary, replace any damaged component. Inspect the area on the pulley (3) that is normally in contact with the crankshaft front seal. If there is excessive wear then a wear sleeve can be installed. Refer to this Disassembly and Assembly

Manual, "Crankshaft Wear Sleeve (Front) - Remove and Crankshaft Wear Sleeve (Rear) - Install" for further details.

2. Position the pulley (3) onto the crankshaft (4).
3. Lubricate the threads and the shoulder of the setscrews (1). Position the thrust block and install the setscrews (1). Tighten the setscrews evenly to a final torque of 115 N·m (85 lb ft).

End By:

- a. Install the V-Belts. Refer to Disassembly and Assembly, "V-Belts - Remove and Install".

Product: BACKHOE LOADER

Model: 420D BACKHOE LOADER BLN

Configuration: 420D Backhoe Loader BLN00001-04543 (MACHINE) POWERED BY 3054 Engine

Disassembly and Assembly 3054C Engines for Caterpillar Built Machines

Media Number -SEN5069-18

Publication Date -01/05/2015

Date Updated -19/09/2018

i02294258

Crankshaft Front Seal - Remove

SMCS - 1160-011

Removal Procedure

Start By:

- a. Remove the crankshaft pulley. Refer to Disassembly and Assembly, "Crankshaft Pulley - Remove and Install".

NOTICE

Keep all parts clean from contaminants.

Contaminants may cause rapid wear and shortened component life.

NOTICE

Care must be taken to ensure that fluids are contained during performance of inspection, maintenance, testing, adjusting, and repair of the product. Be prepared to collect the fluid with suitable containers before opening any compartment or disassembling any component containing fluids.

Refer to Special Publication, NENG2500, "Dealer Service Tool Catalog" for tools and supplies suitable to collect and contain fluids on Cat products.

Dispose of all fluids according to local regulations and mandates.

Thank you so much for reading.
Please click the “Buy Now!”
button below to download the
complete manual.



After you pay.

You can download the most
perfect and complete manual in
the world immediately.

Our support email:

ebooklibonline@outlook.com