



# Service Repair Manual

## **Models**

# 420D BACKHOE LOADER

---

Product: BACKHOE LOADER

Model: 420D BACKHOE LOADER BLN

Configuration: 420D Backhoe Loader BLN04544-10299 (MACHINE) POWERED BY 3054 Engine

## **Disassembly and Assembly 3054C Engines for Caterpillar Built Machines**

Media Number -SEN5069-18

Publication Date -01/05/2015

Date Updated -19/09/2018

i05324845

### **Housing (Front) - Remove**

SMCS - 1151-011

### **Removal Procedure**

#### **Start By:**

- a. Remove the alternator. Refer to Disassembly and Assembly, "Alternator - Remove".
- b. Remove the crankshaft pulley. Refer to Disassembly and Assembly, "Crankshaft Pulley - Remove and Install".
- c. Remove the front cover. Refer to Disassembly and Assembly, "Front Cover - Remove and Install".
- d. Remove the engine oil pan. Refer to Disassembly and Assembly, "Engine Oil Pan - Remove and Install".
- e. Remove the idler gear. Refer to Disassembly and Assembly, "Idler Gear - Remove and Install".
- f. Remove the camshaft gear. Refer to Disassembly and Assembly, "Camshaft Gear - Remove and Install".
- g. Remove the air compressor, if equipped. Refer to Disassembly and Assembly, "Air Compressor - Remove and Install".

---

#### **NOTICE**

**Keep all parts clean from contaminants.**

**Contaminants may cause rapid wear and shortened component life.**

---

---

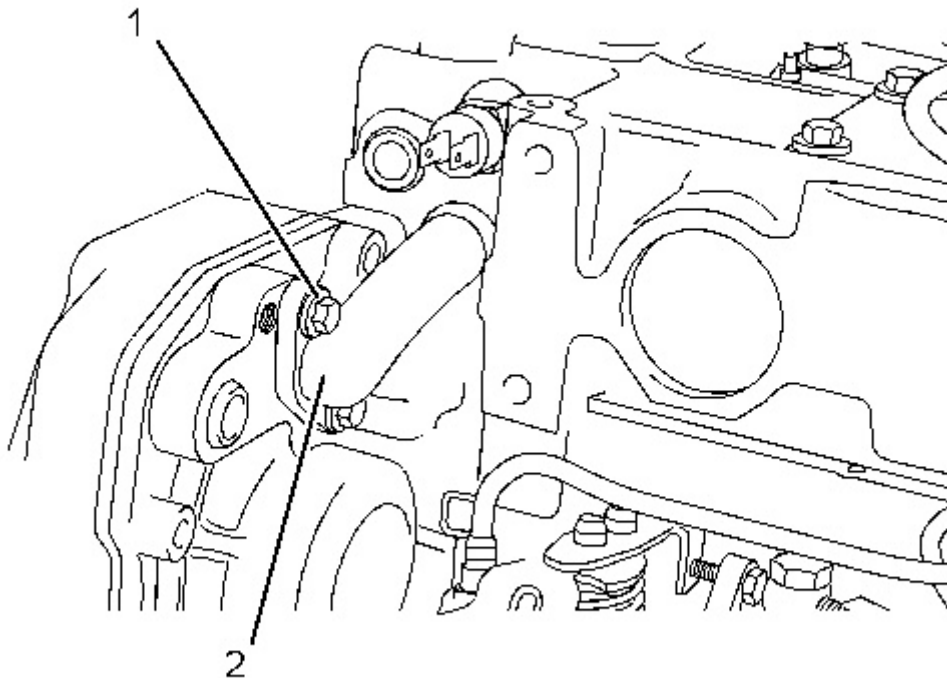
## NOTICE

Care must be taken to ensure that fluids are contained during performance of inspection, maintenance, testing, adjusting, and repair of the product. Be prepared to collect the fluid with suitable containers before opening any compartment or disassembling any component containing fluids.

Refer to Special Publication, NENG2500, "Dealer Service Tool Catalog" for tools and supplies suitable to collect and contain fluids on Cat products.

Dispose of all fluids according to local regulations and mandates.

---



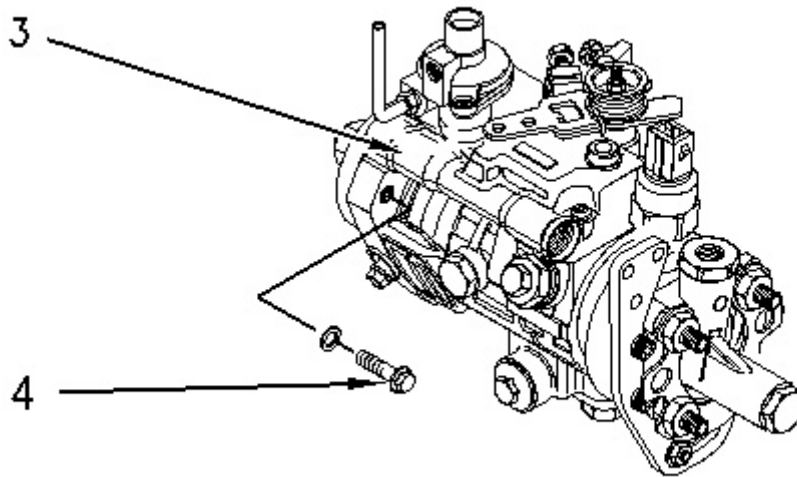
---

Illustration 1

g03373179

Typical example

1. Remove bolts (1). Remove bypass tube (2) from the cylinder head. Remove the O-ring seals from the bypass tube.
-

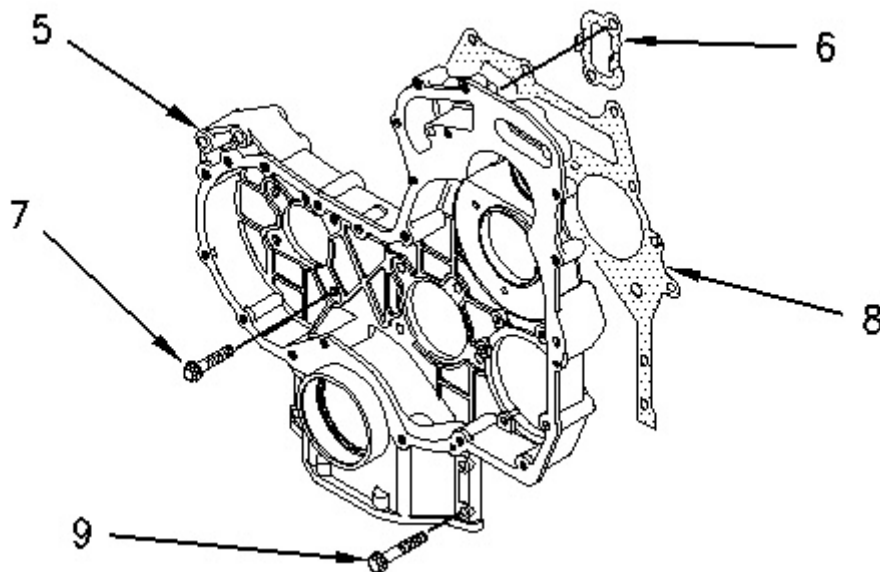


---

Illustration 2  
Typical Example

g00994883

2. Remove bolts (4) that fasten fuel injection pump (3) to the front housing.



---

Illustration 3

g00985259

3. Remove bolts (7) and bolts (9) that fasten the front housing (5) to the cylinder block.
  4. Remove front housing (5). Remove gasket (8) from the cylinder block and the front housing.
  5. Remove gasket (6) from the back side of the front housing.
  6. Remove the O-ring seal from the fuel injection pump housing.
-

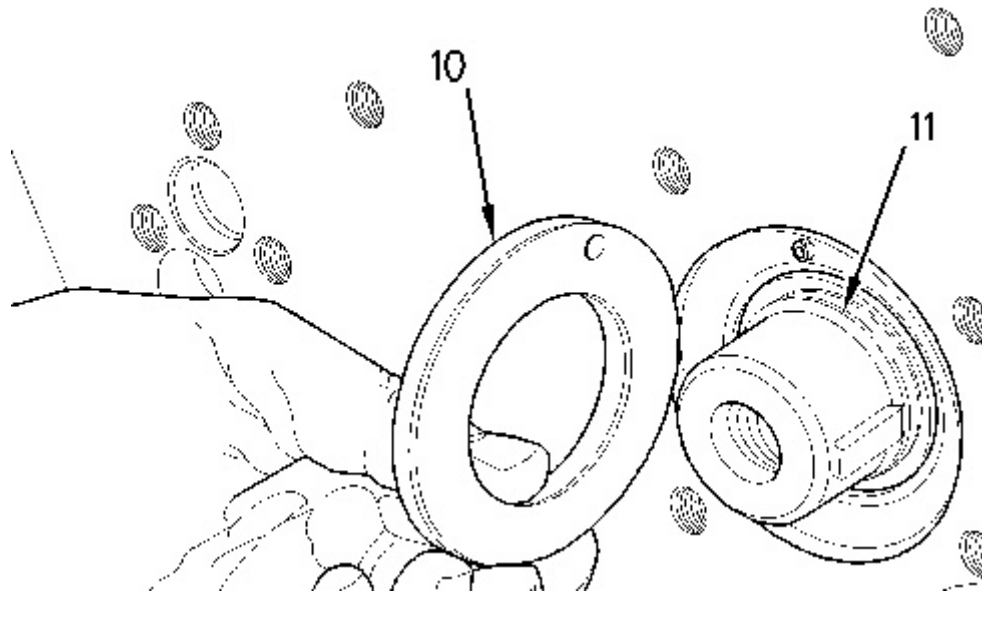


Illustration 4

g00985261

7. Remove thrust washer (10) from camshaft (11).

Thank you so much for reading.  
Please click the “Buy Now!”  
button below to download the  
complete manual.



After you pay.

You can download the most  
perfect and complete manual in  
the world immediately.

Our support email:

[ebooklibonline@outlook.com](mailto:ebooklibonline@outlook.com)