



Service Repair Manual

Models

420F2 Backhoe Loader

Product: BACKHOE LOADER

Model: 420F2 BACKHOE LOADER LYB

Configuration: 420F2 Center Pivot Backhoe Loader LYB00001-UP (MACHINE) POWERED BY C4.4 Engine

Disassembly and Assembly

415F2, 416F2, 420F2 IT, 420F2 ST, 430F2 IT and 430F2 ST Backhoe Loaders Power Train

Media Number -UENR5021-03

Publication Date -01/05/2015

Date Updated -05/06/2018

i06145783

Transmission (Direct Drive) - Disassemble

SMCS - 3030-015-DD; 3066-015

Disassembly Procedure

Table 1

Required Tools			
Tool	Part Number	Part Description	Qty
A	395-1590	Lifting Eye Assembly	2
B	422-5471	Lifting Eye Assembly	1
C	4C-3652	Spring Compressor	1
D	1P-1859	Retaining Ring Pliers	1
E	8H-0663	Bearing Puller Gp	1
F	8B-7551	Bearing Puller Gp	1
G	1U-6400	Three Jaw Puller	1
H	137-8102	Spring Compressor	1

Start By:

- a. Remove the transmission.
-



Illustration 1

g03827943

1. Use two people to remove torque converter (1). The weight of torque converter (1) is approximately 23 kg (51 lb). Remove torque converter (1) from transmission (2).
2. Remove bolt (4), the washer, and yoke (3) from transmission (2).

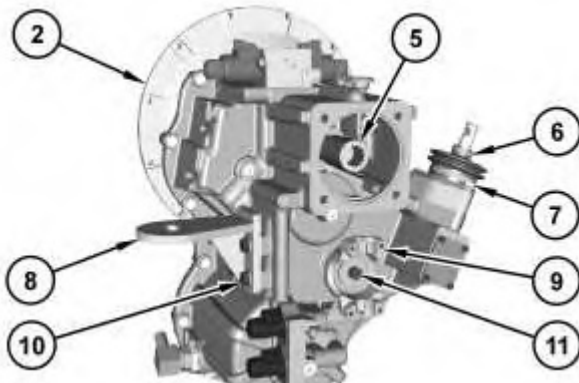


Illustration 2

g03828843

3. Remove shaft (5) from transmission (2).
 4. Remove bolts (7) and gear shift (6) from transmission (2).
 5. Remove bolts (10) and support assemblies (8) from transmission (2).
 6. Remove bolt (11), the washer, and yoke (9) from transmission (2).
-

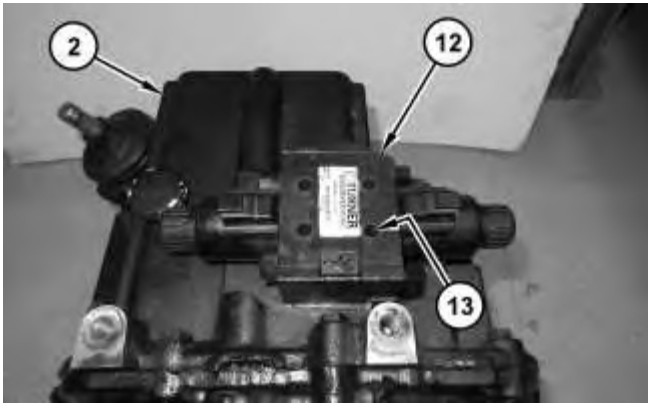


Illustration 3

g03828844

7. Remove bolts (13) and solenoid valve (12) from transmission (2).

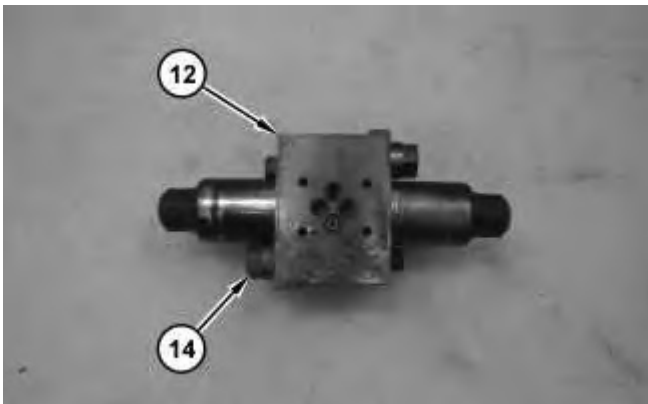


Illustration 4

g03828845

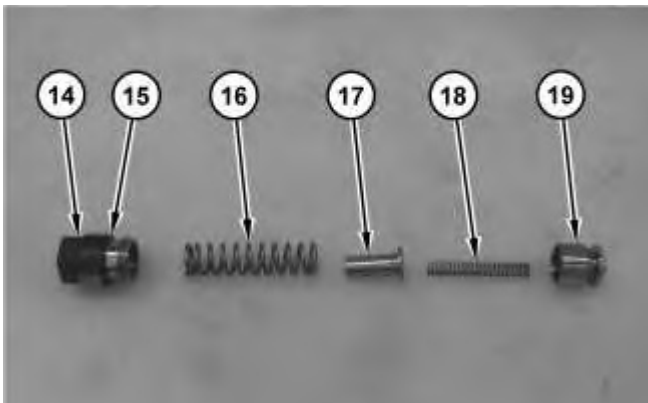


Illustration 5

g03828846



WARNING

Personal injury can result from being struck by parts propelled by a released spring force.

Make sure to wear all necessary protective equipment.

Follow the recommended procedure and use all recommended tooling to release the spring force.

8. Remove head (14) from solenoid valve (12). Remove O-ring seal (15) from head (14).
9. Remove spring (16), carrier (17), spring (18), and piston (19) from solenoid valve (12).

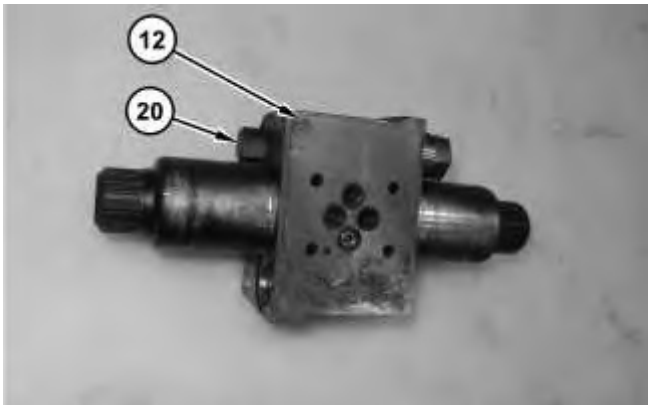


Illustration 6

g03828847

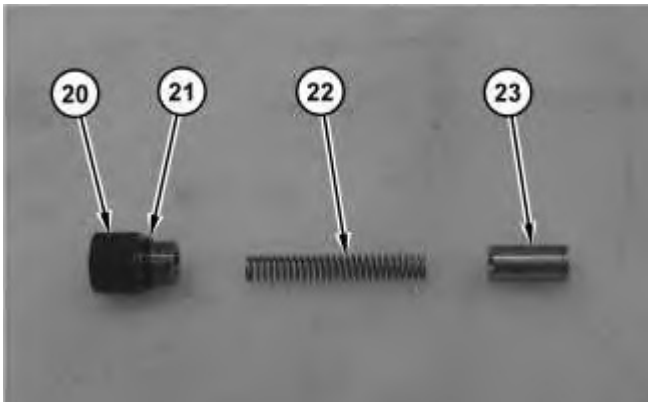


Illustration 7

g03828848

 **WARNING**

Personal injury can result from being struck by parts propelled by a released spring force.

Make sure to wear all necessary protective equipment.

Follow the recommended procedure and use all recommended tooling to release the spring force.

Thank you so much for reading.
Please click the “Buy Now!”
button below to download the
complete manual.



After you pay.

You can download the most
perfect and complete manual in
the world immediately.

Our support email:

ebooklibonline@outlook.com