



Service Repair Manual

Models

426C Backhoe Loader

Product: BACKHOE LOADER

Model: 426C BACKHOE LOADER 1ER

Configuration: 426C Backhoe Loader Center Pivot, Single Tilt 1ER00001-00863 (MACHINE) POWERED BY 3054 Engine

Disassembly and Assembly 3054 Engine for Caterpillar Built Machines

Media Number -SEN6241-13

Publication Date -01/08/2008

Date Updated -04/08/2008

i01598347

Exhaust Manifold - Remove and Install - Type 2 Engines and 7BJ Engines

SMCS - 1059-010

Removal Procedure

Start By:

- A. Remove the turbocharger. Refer to Disassembly and Assembly, "Turbocharger - Remove".
- B. Remove the air inlet manifold. Refer to Disassembly and Assembly, "Air Inlet Manifold - Remove and Install".

Note: For a complete description of Type 1 and Type 2 Engines, refer to the Disassembly and Assembly, "Engine Design" topic.

NOTICE

Keep all parts clean from contaminants.

Contaminants may cause rapid wear and shortened component life.

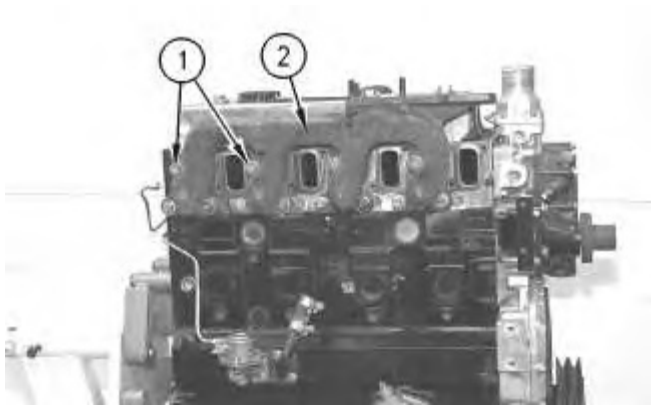


Illustration 1

g00557287

Typical example

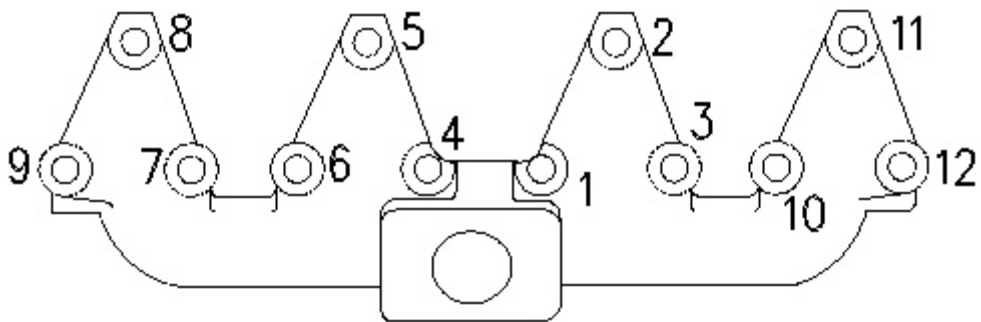


Illustration 2

g00557337

1. Remove exhaust manifold nuts or bolts (1) in reverse order of the numbered sequence.
2. Remove exhaust manifold (2) from the engine.

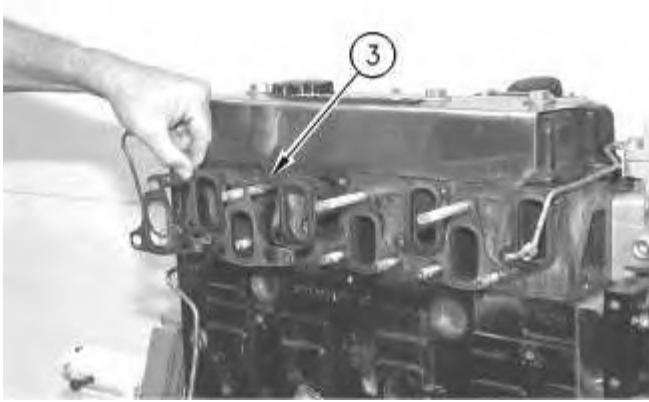


Illustration 3

g00557351

Typical example

3. Remove exhaust manifold gaskets (3) from the engine.
4. Remove old sealant from stud threads.

Installation Procedure

NOTICE

Keep all parts clean from contaminants.

Contaminants may cause rapid wear and shortened component life.

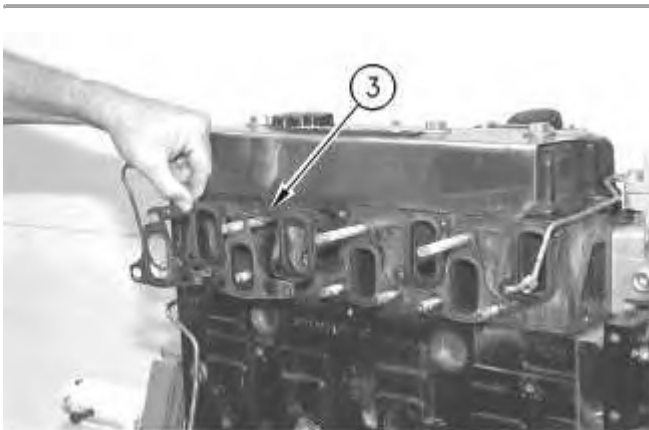


Illustration 4

g00557351

Typical example

1. Inspect the condition of the gaskets. If the gaskets are damaged, use new parts for replacement. Install exhaust manifold gaskets (3) on the cylinder head. Apply **4C-9507 Retaining Compound** to the stud threads.

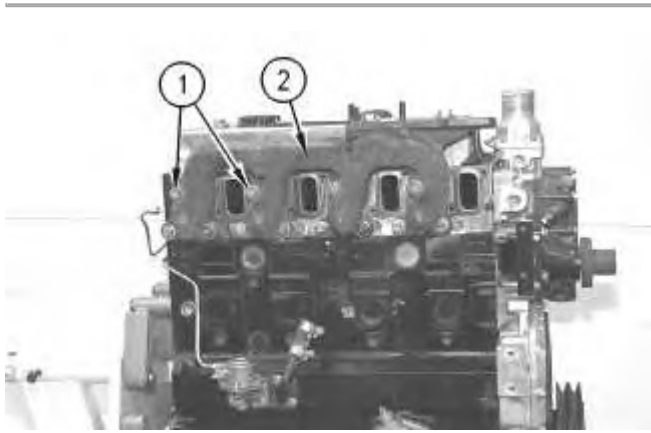


Illustration 5

g00557287

Typical example

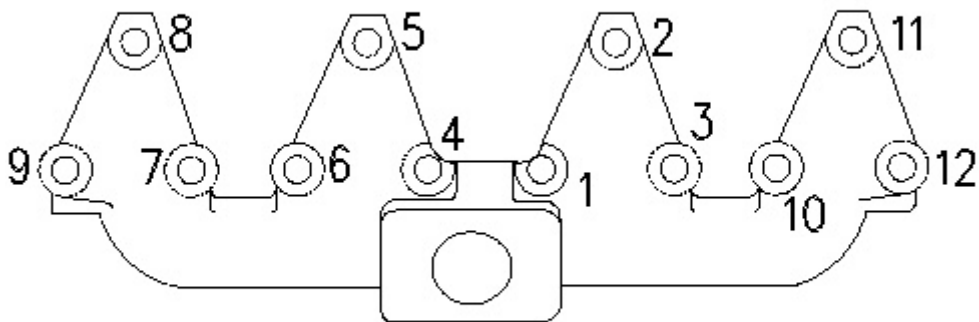


Illustration 6

g00557337

NOTICE

Damage to the exhaust manifold can occur if the exhaust manifold is not aligned and tightened correctly.

Thank you so much for reading.
Please click the “Buy Now!”
button below to download the
complete manual.



After you pay.

You can download the most
perfect and complete manual in
the world immediately.

Our support email:

ebooklibonline@outlook.com