



Service Repair Manual

Models

426F2 Backhoe Loader

Product: BACKHOE LOADER

Model: 426 F2 BACKHOE LOADER EJ2

Configuration: 426F2 Backhoe Loader Side Shift EJ200001-00249 (MACHINE) POWERED BY C4.4 Engine

Disassembly and Assembly 426F2 Back Hoe Loader Power Train System

Media Number -M0079727-01

Publication Date -01/06/2015

Date Updated -14/08/2017

i06945085

Drive and Steering Axle (Front) - Remove

SMCS - 3020-011-FR

Removal Procedure

Start By:

- a. Remove bucket.
- b. Remove wheel and tire assembly.

Table 1

Required Tools			
Tool	Part Number	Part Description	Qty
A	9U-5266	Sleeve Assembly	1
	259-9239	Stud-Puller	1
	6V-7047	Cylinder-Hydraulic	1
	6v-7742	Nut	1
	350-7768	Pump Group, Hydraulic	1

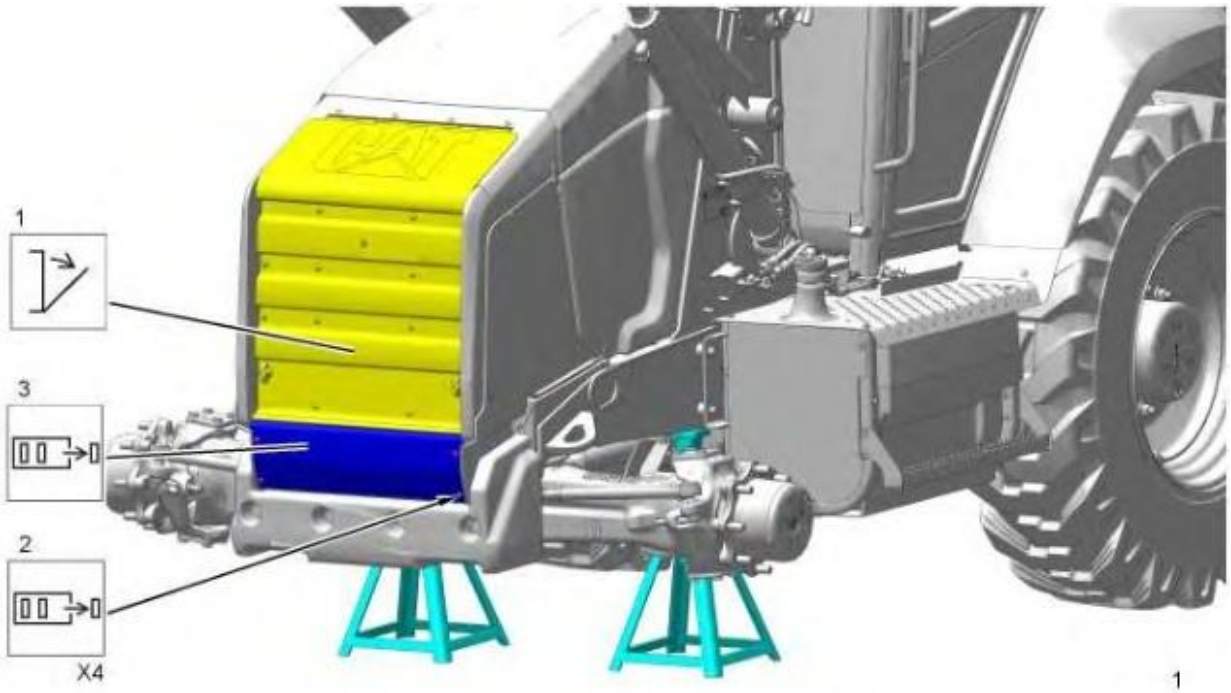


Illustration 1

g06183569

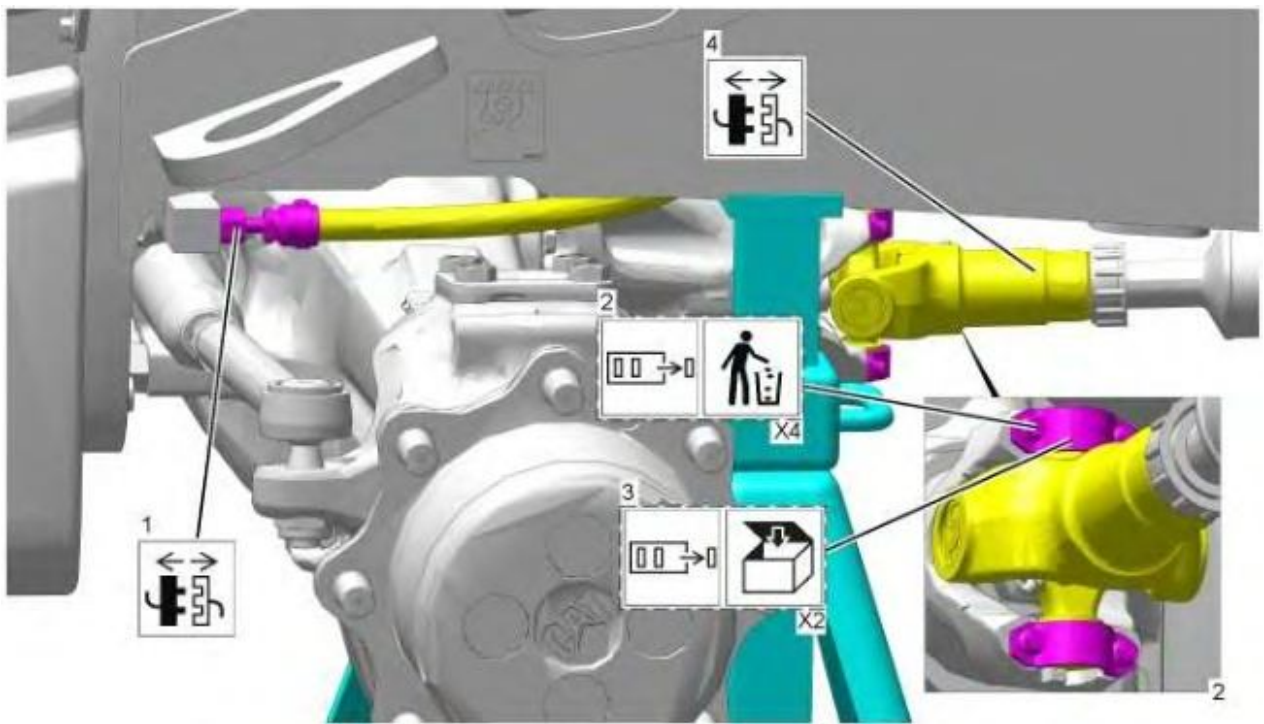


Illustration 2

g06181093

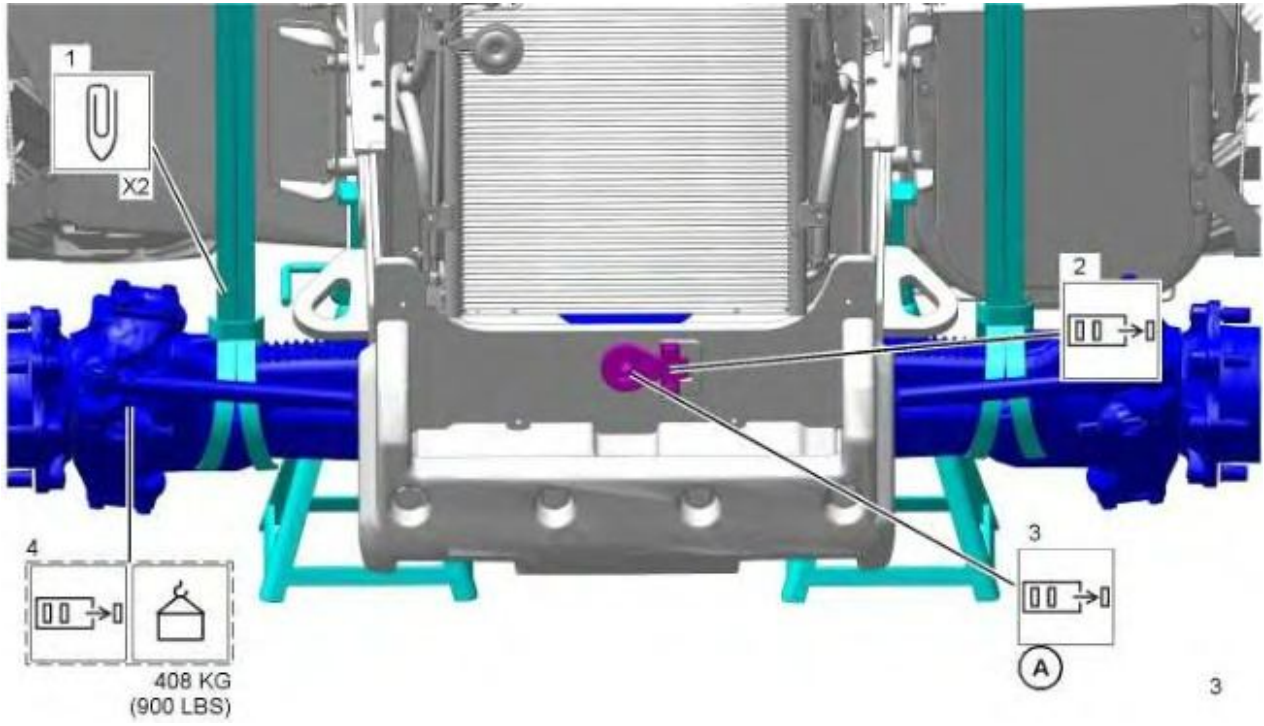


Illustration 3

g06183937

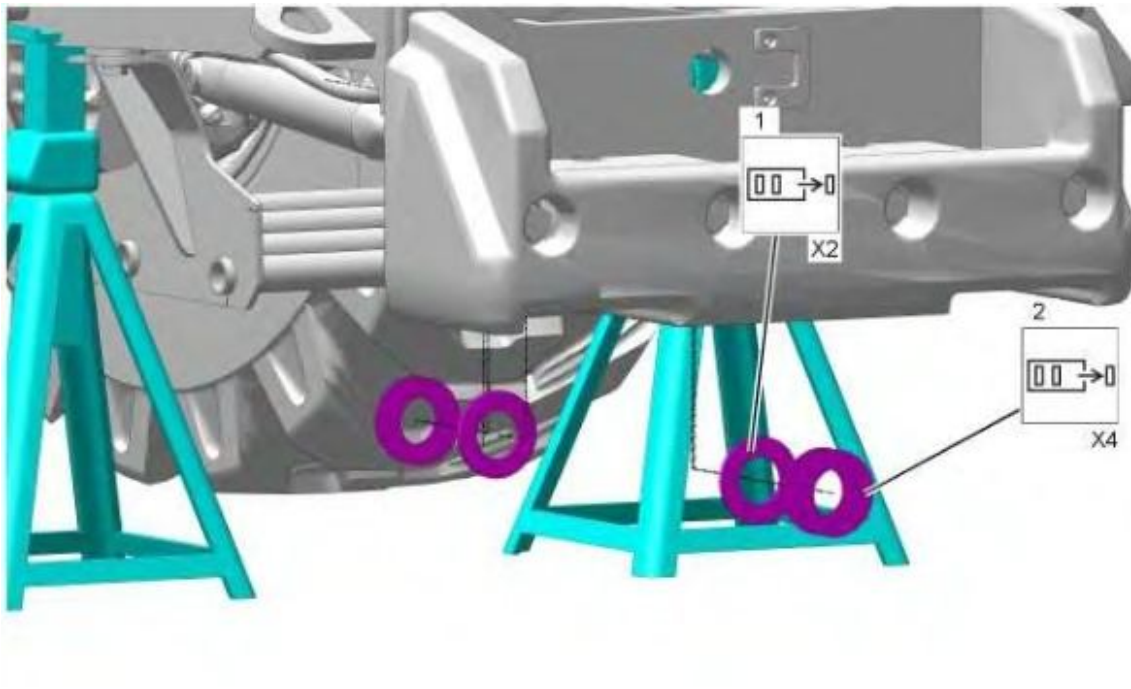


Illustration 4

g06186616

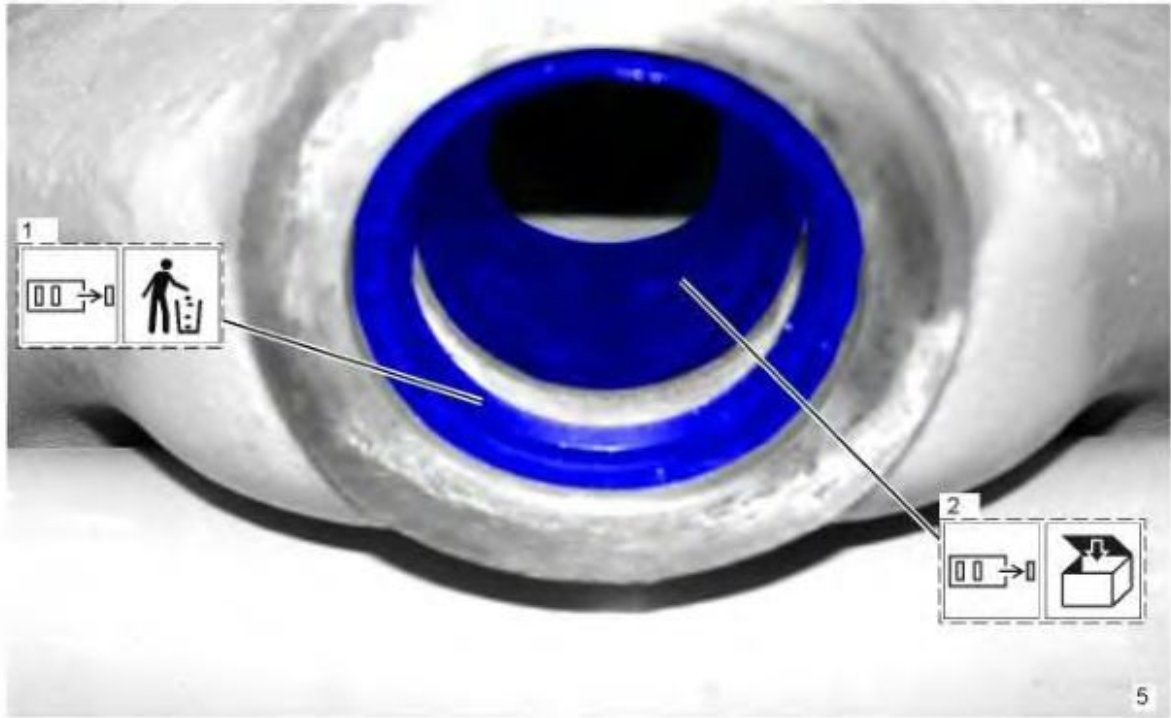


Illustration 5

g06185713

Thank you so much for reading.
Please click the “Buy Now!”
button below to download the
complete manual.



After you pay.

You can download the most
perfect and complete manual in
the world immediately.

Our support email:

ebooklibonline@outlook.com