



# Service Repair Manual

## **Models**

426F2 Backhoe Loader

---

Product: BACKHOE LOADER

Model: 426 F2 BACKHOE LOADER EJ4

Configuration: 426F2 Backhoe Loader Side Shift EJ400001-01499 (MACHINE) POWERED BY C4.4 Engine

## Disassembly and Assembly 426F2 Back Hoe Loader Power Train System

Media Number -M0079727-01

Publication Date -01/06/2015

Date Updated -14/08/2017

i06978359

### Axle Housing and Flange - Remove

SMCS - 4057-011; 4234-011

### Removal Procedure

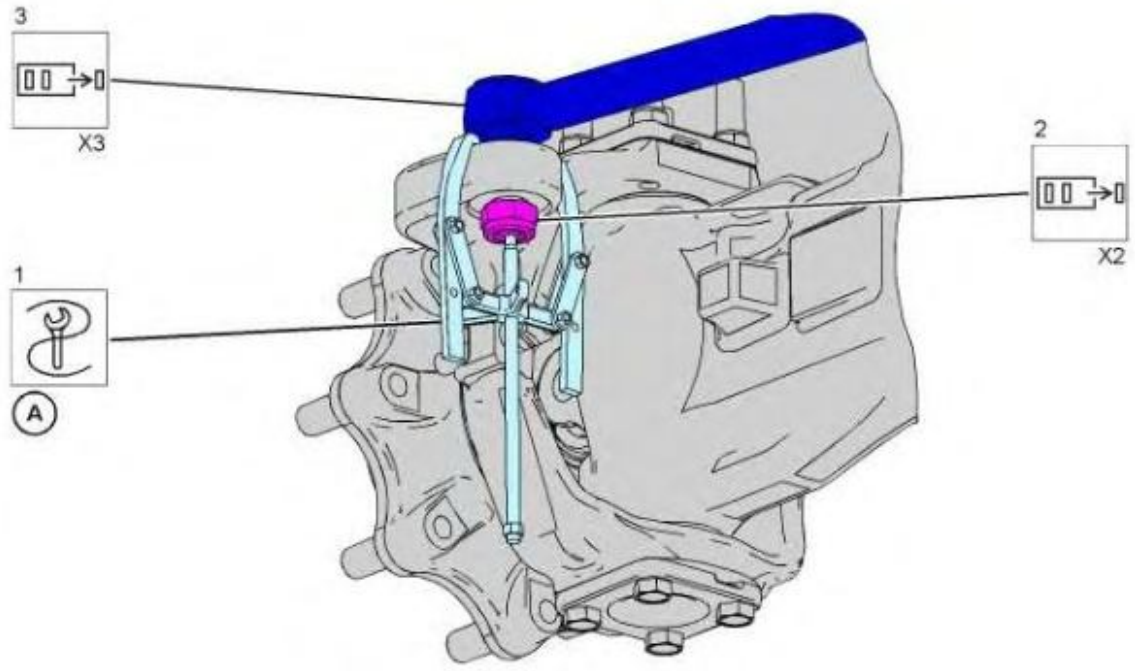
**Reference:** Special Instruction, "Visual Service Procedures - Colors and Symbols" M0066576

Table 1

Required Tools			
Tool	Part Number	Part Description	Qty
A	1P-2320	Combination Puller	1
B	230-7923	Spanner Wrench As	1
C	2P-8312	Retaining Ring Pliers	1

#### Start By:

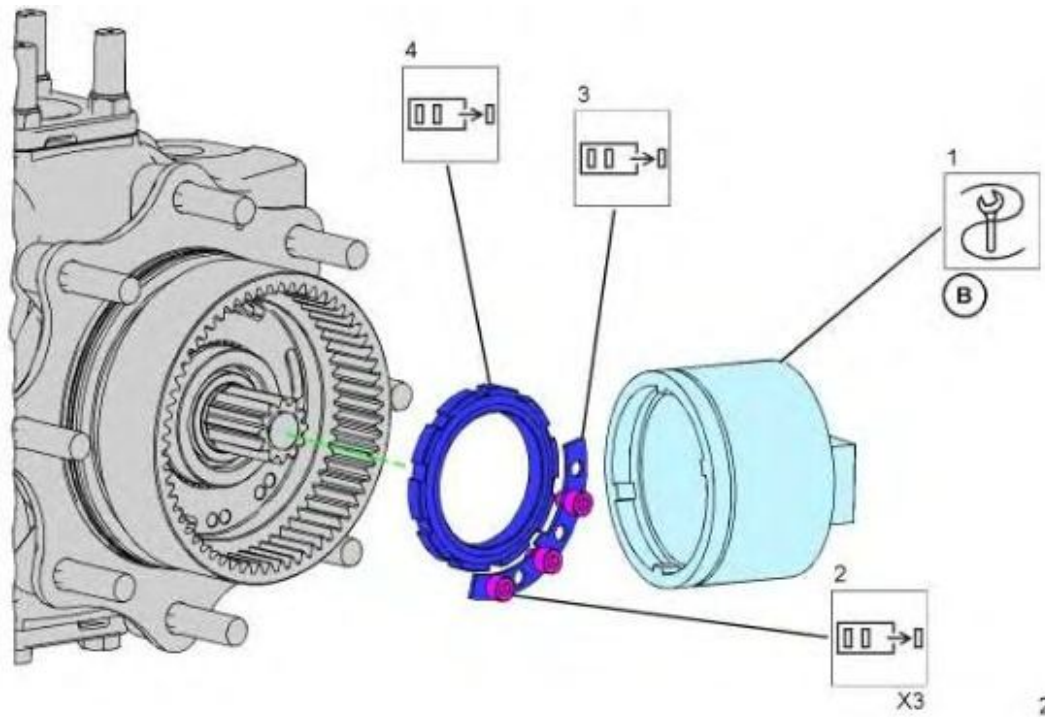
- a. Remove the drive and steering axle.
  - b. Remove the final drive planetary.
-



1

Illustration 1

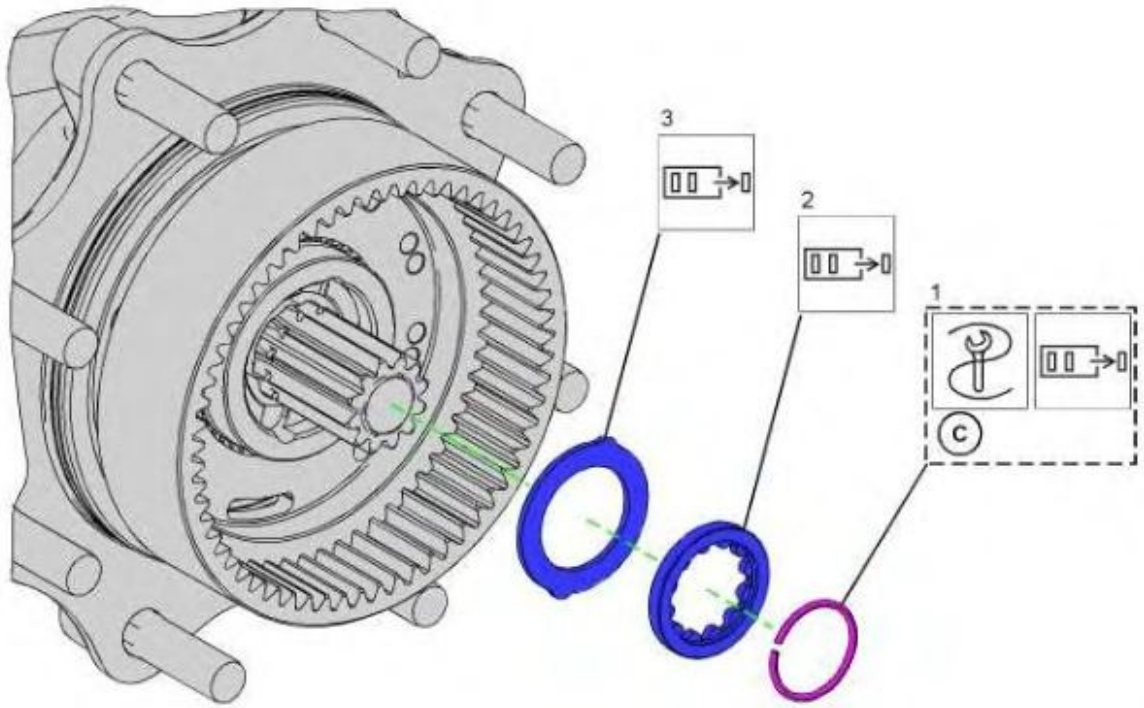
g06185113



2

Illustration 2

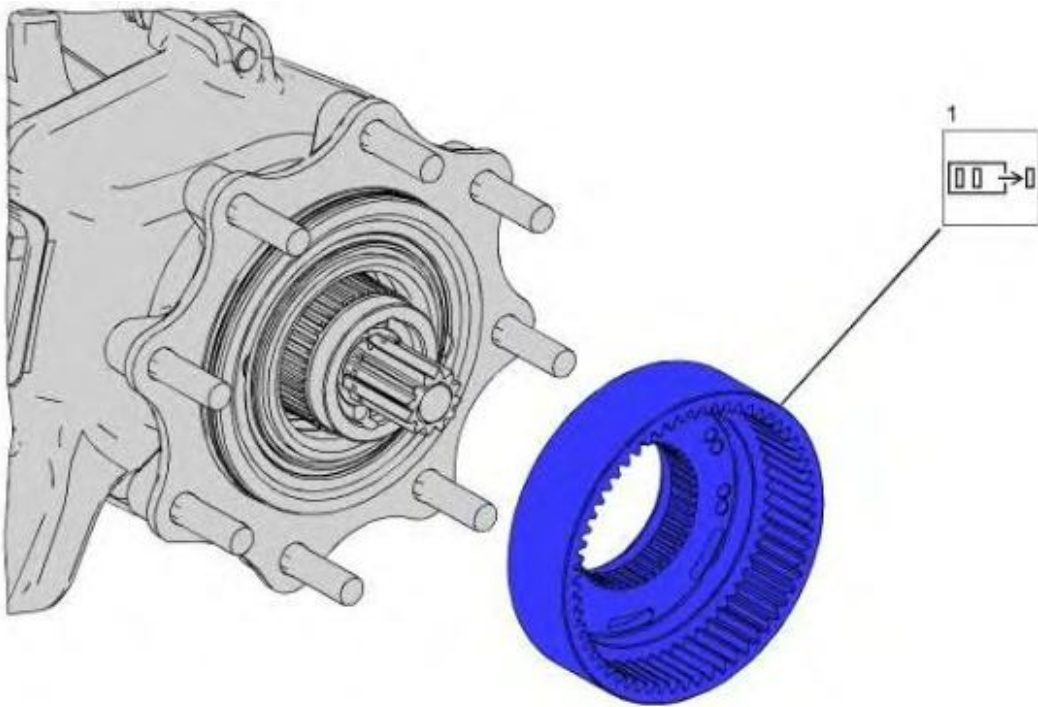
g06186275



3

Illustration 3

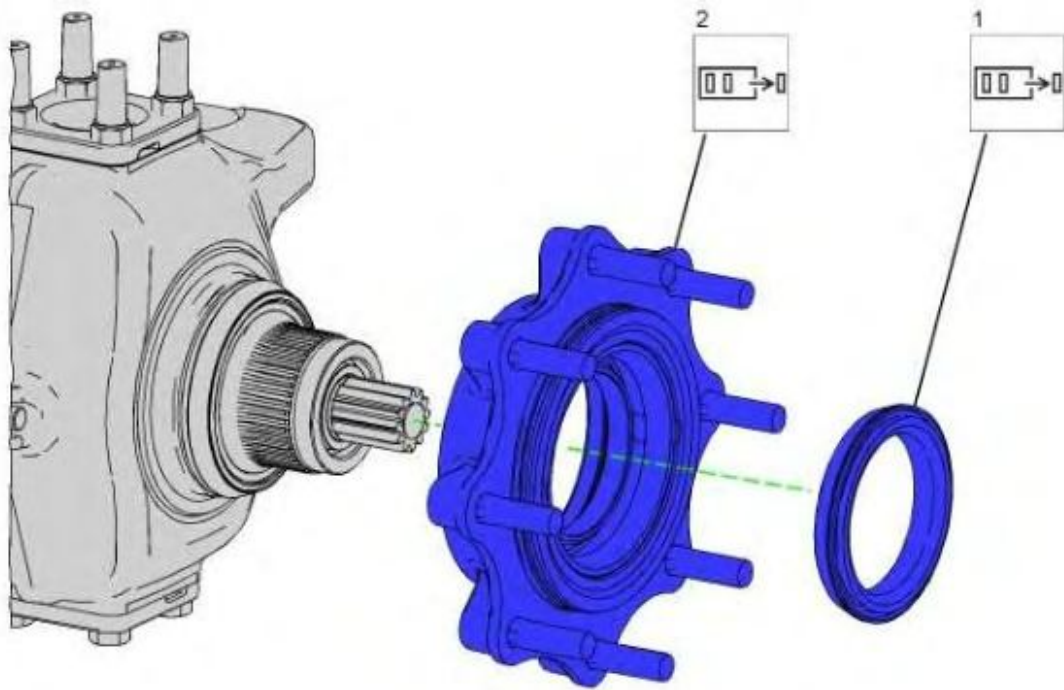
g06185668



4

Illustration 4

g06185677

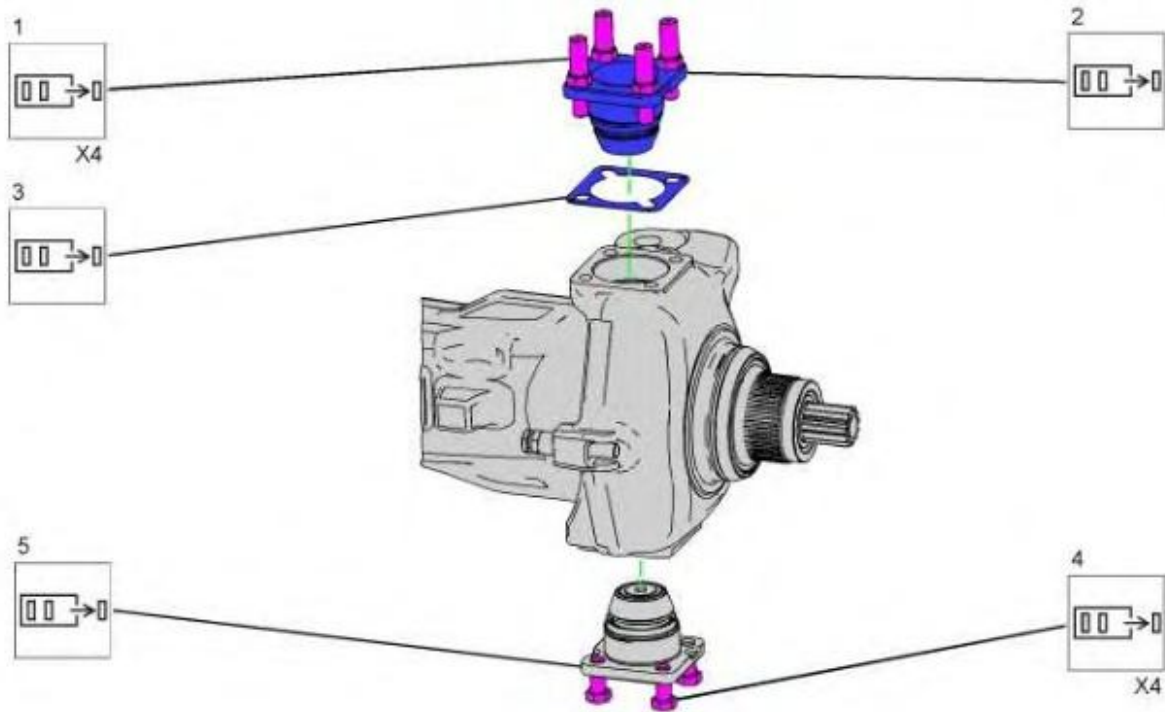


5

Illustration 5

g06185696

The bearing cone will fall out of the wheel flange when the wheel flange is removed.



6

Illustration 6

g06185995

Thank you so much for reading.  
Please click the “Buy Now!”  
button below to download the  
complete manual.



After you pay.

You can download the most  
perfect and complete manual in  
the world immediately.

Our support email:

[ebooklibonline@outlook.com](mailto:ebooklibonline@outlook.com)