



Service Repair Manual

Models

430E Backhoe Loader

Product: BACKHOE LOADER

Model: 430E BACKHOE LOADER DDT

Configuration: 430E Backhoe Loader Center Pivot DDT00001-UP (MACHINE) POWERED BY 3054C Engine

Disassembly and Assembly

414E, 416E, 420E, 422E, 428E, 430E, 432E, 434E, 442E and 444E Backhoe Loaders Power Train

Media Number -REN6475-13

Publication Date -01/07/2017

Date Updated -13/07/2017

i04818786

Drive Shaft (Front) - Remove and Install

SMCS - 3253-010-FR

Removal Procedure

Table 1

Required Tools			
Tool	Part Number	Part Description	Qty
A	1U-7505	Hydraulic Jack	1

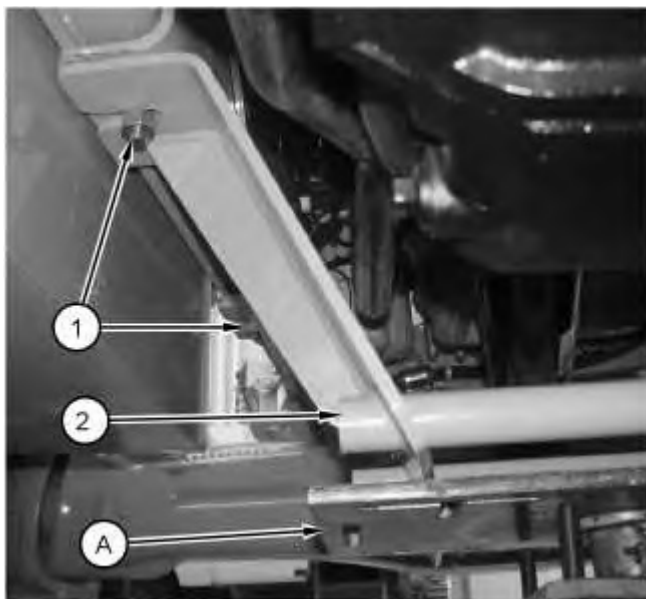


Illustration 1

g01116830

1. Install Tooling (A) under guard (2) . Remove bolts (1) . Repeat for the other side. Use Tooling (A) in order to lower guard (2) to the ground. The weight of guard (2) is approximately 38 kg (85 lb).

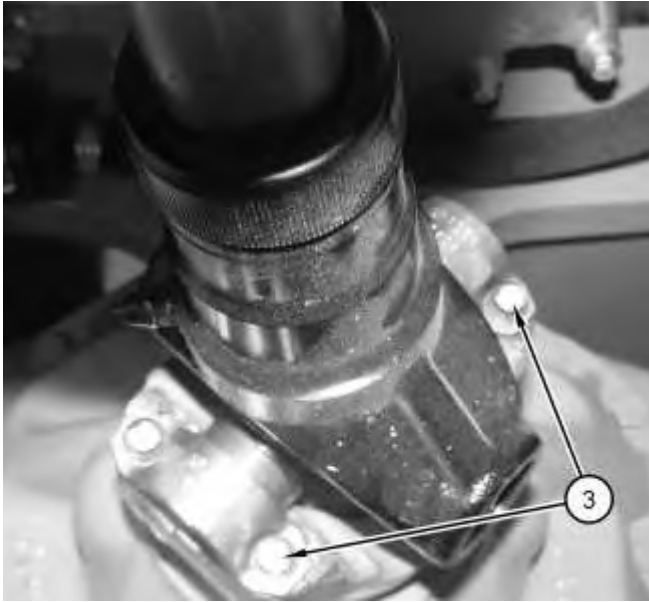


Illustration 2

g01116832

2. Remove bolts (3) .

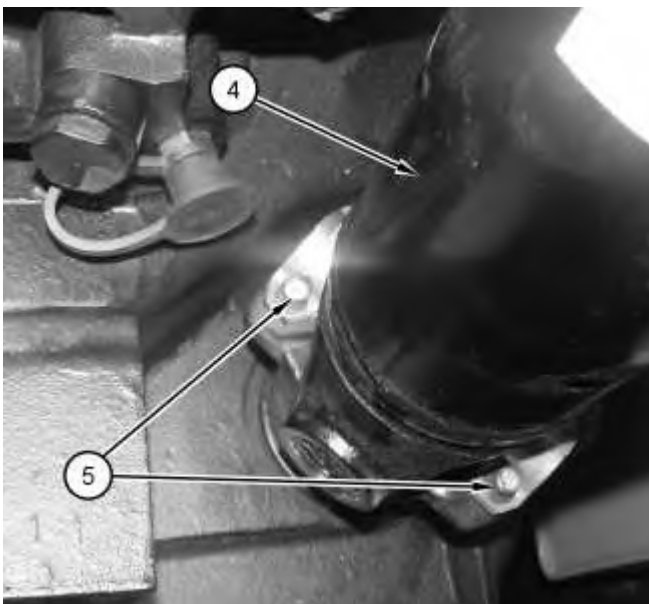


Illustration 3

g01116843

3. Remove bolts (5) and remove front drive shaft (4) .

Installation Procedure

Table 2

Required Tools			
Tool	Part Number	Part Description	Qty
A	1U-7505	Hydraulic Jack	1

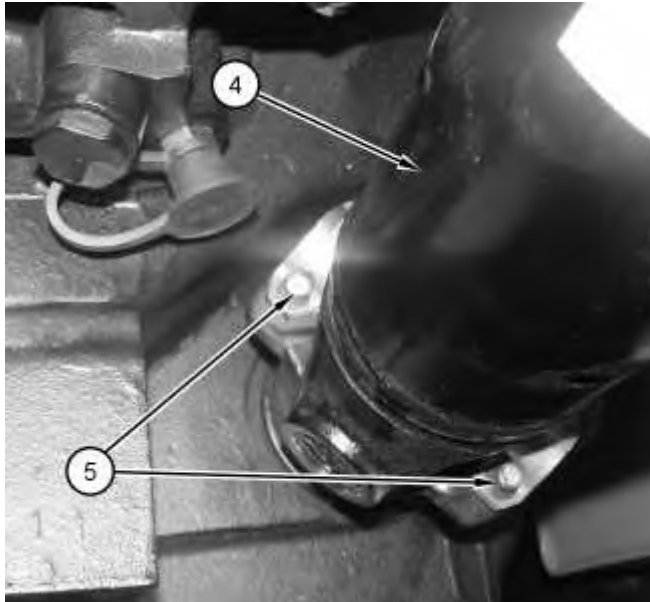


Illustration 4

g01116843

1. Install front drive shaft (4) and install new bolts (5) . Tighten bolts (5) to a torque of 28 ± 7 N·m (21 ± 5 lb ft)

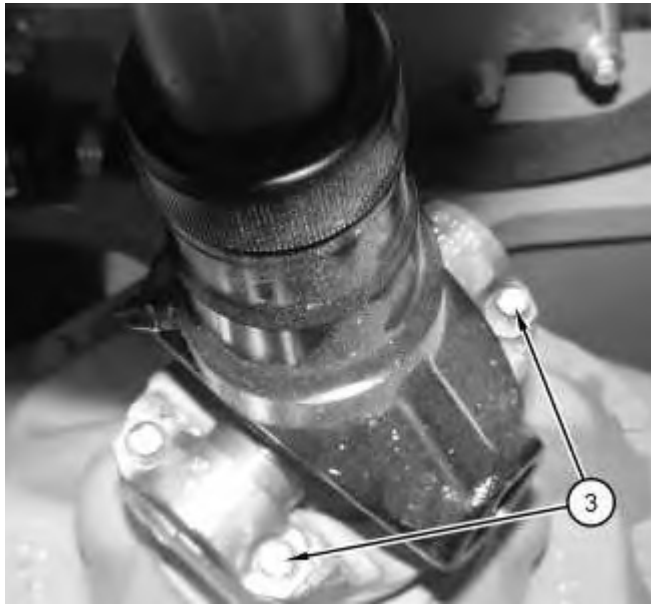


Illustration 5

g01116832

2. Install new bolts (3) .

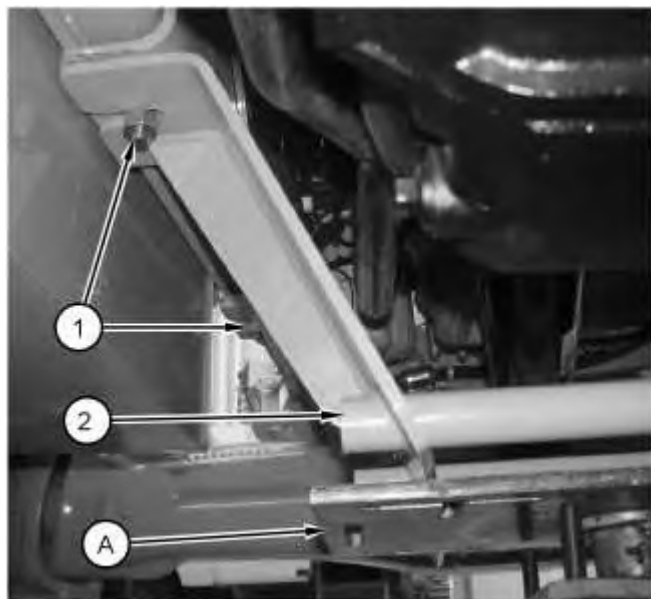


Illustration 6

g01116830

3. Install Tooling (A) under guard (2) . The weight of guard (2) is approximately 38 kg (85 lb). Use Tooling (A) in order to raise guard (2) into position. Install bolts (1) . Repeat for the other side.

Thank you so much for reading.
Please click the “Buy Now!”
button below to download the
complete manual.



After you pay.

You can download the most
perfect and complete manual in
the world immediately.

Our support email:

ebooklibonline@outlook.com