



Service Repair Manual

Models

430E Backhoe Loader

Product: BACKHOE LOADER

Model: 430E BACKHOE LOADER EAT

Configuration: 430E Backhoe Loader Center Pivot EAT00001-UP (MACHINE) POWERED BY 3054C Engine

Disassembly and Assembly

414E, 416E, 420E, 422E, 428E, 430E, 432E, 434E, 442E and 444E Backhoe Loaders Power Train

Media Number -REN6475-13

Publication Date -01/07/2017

Date Updated -13/07/2017

i03664881

Steering Cylinder (Front) - Remove and Install

SMCS - 4303-010-FR

Removal Procedure

Table 1

Required Tools			
Tool	Part Number	Part Description	Qty
A	1P-2320	Combination Puller	1
B	155-0695	Thread Lock Compound	-

Start By:

- A. Remove the front axle. Refer to Disassembly and Assembly, "Drive and Steering Axle (Front) - Remove".
-

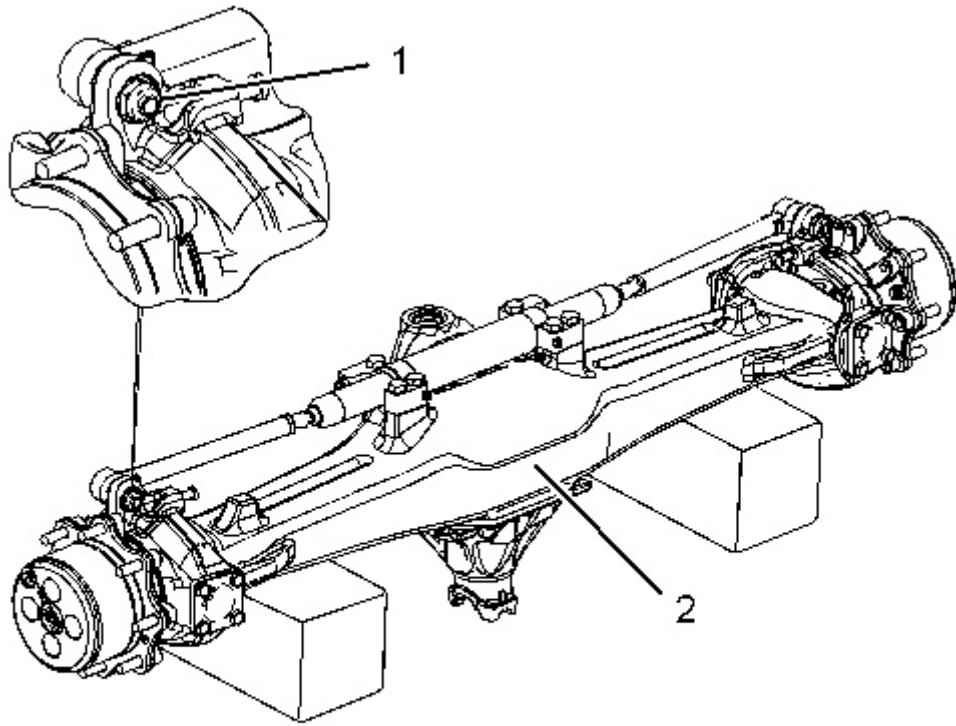


Illustration 1

g01117223

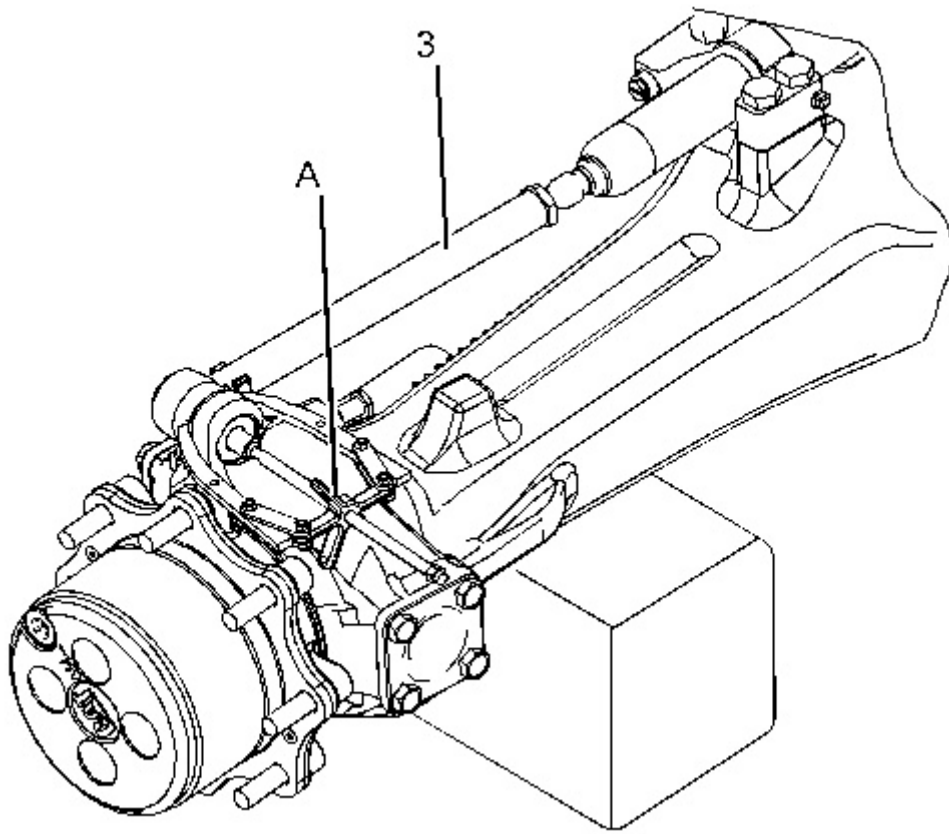


Illustration 2

g01117229

1. Place front axle assembly (2) onto suitable cribbing. Loosen nut (1) from each side.
 2. Use Tooling (A) in order to disconnect tie rod (3) . Remove nut (1) and remove tie rod (3) . Repeat for the other side.
-

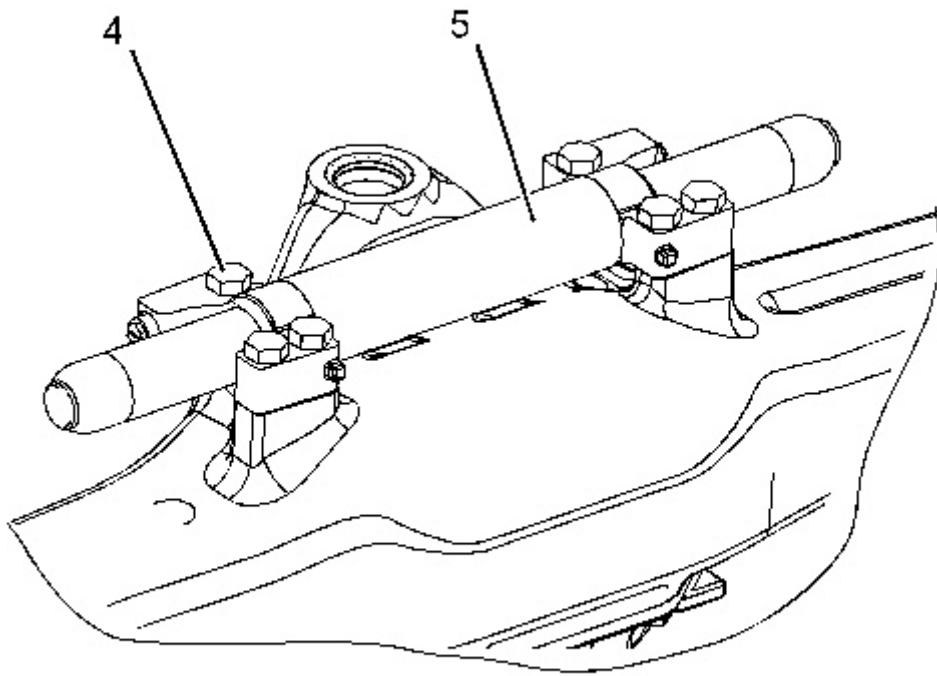


Illustration 3

g01117236

3. Remove bolts (4) and remove steering cylinder (5) .

Installation Procedure

Thank you so much for reading.
Please click the “Buy Now!”
button below to download the
complete manual.



After you pay.

You can download the most
perfect and complete manual in
the world immediately.

Our support email:

ebooklibonline@outlook.com