



Service Repair Manual

Models

430E Backhoe Loader

Product: BACKHOE LOADER

Model: 430E BACKHOE LOADER SCD

Configuration: 430E Backhoe Loader Parallel Lift SCD00001-UP (MACHINE) POWERED BY C4.4 Engine

Disassembly and Assembly 430E Backhoe Loader

Media Number -KENR8488-01

Publication Date -01/08/2008

Date Updated -20/08/2008

i03249165

Final Drive

Specifications

Final Drive

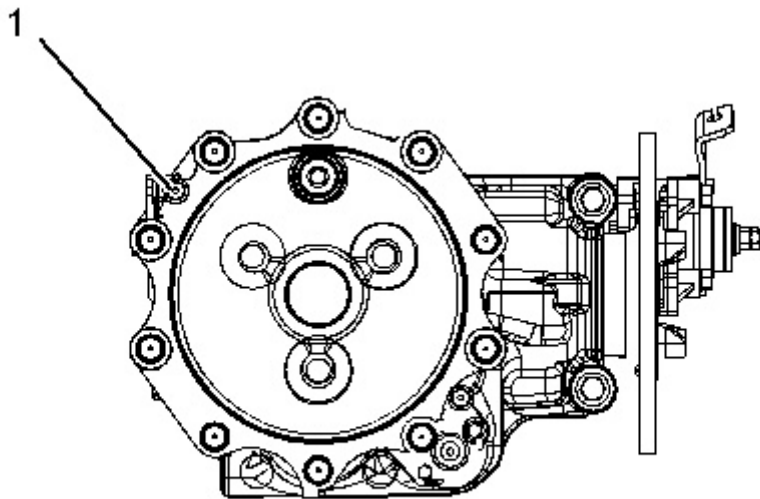


Illustration 1

g01636514

Right side view

(1) Torque for four flat head screws ... 12.50 to 26.25 N·m (110 to 230 lb in)

Removal Procedure

1. Remove the wheel and tire.
2. Refer to Operation and Maintenance Manual, "Final Drive Planetary (Axle) Oil - Change" for the correct procedure to drain and fill the final drive planetary.

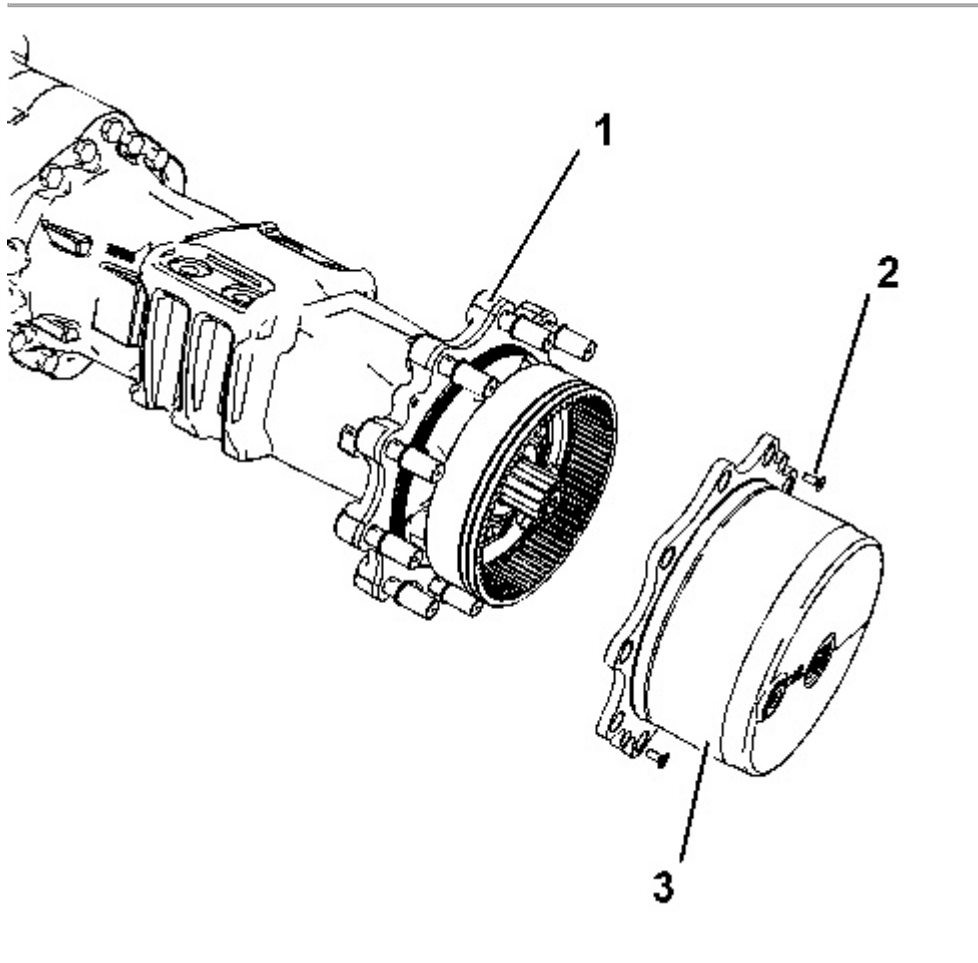


Illustration 2

g01072848

3. Remove screws (2) and remove planetary carrier assembly (3) from wheel flange (1) .

Installation Procedure

1. Install the final drive planetary in the reverse order of removal.
 - a. Tighten screws (2) to a torque of 12.50 to 26.25 N·m (110 to 230 lb in).

Disassembly Procedure

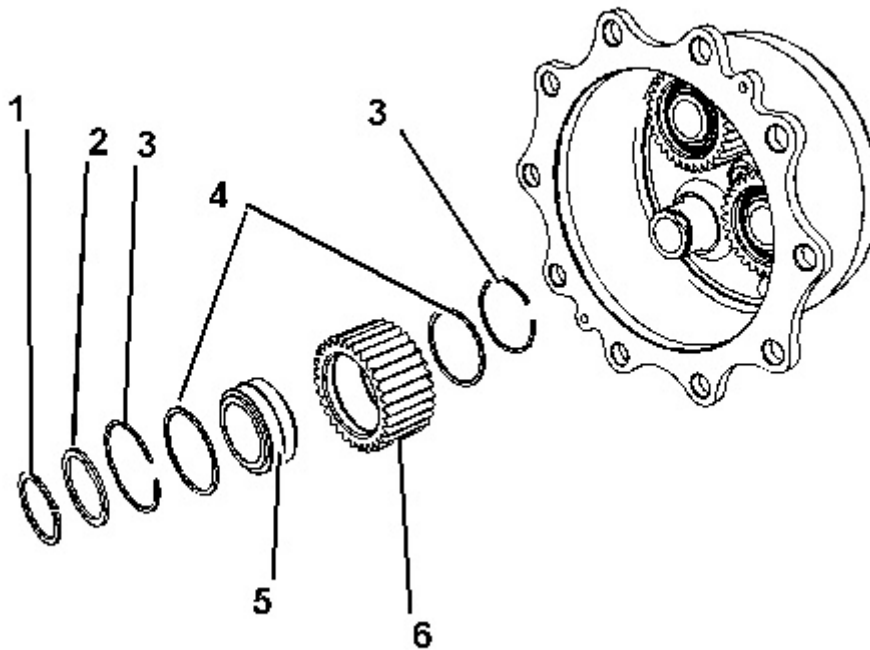


Illustration 3

g01074540

1. Remove retaining ring (1) . Remove thrust washer (2) , lock rings (3) , thrust washers (4) , bearing (5) and planetary gear (6) .
2. Repeat Step 1 for the remaining planetary gear assemblies.

Assembly Procedure

1. Assemble the final drive planetary in the reverse order of disassembly.

Product: BACKHOE LOADER

Model: 430E BACKHOE LOADER SCD

Configuration: 430E Backhoe Loader Parallel Lift SCD00001-UP (MACHINE) POWERED BY C4.4 Engine

Disassembly and Assembly 430E Backhoe Loader

Media Number -KENR8488-01

Publication Date -01/08/2008

Date Updated -20/08/2008

i03207782

Drive Shaft - Remove and Install

Specification

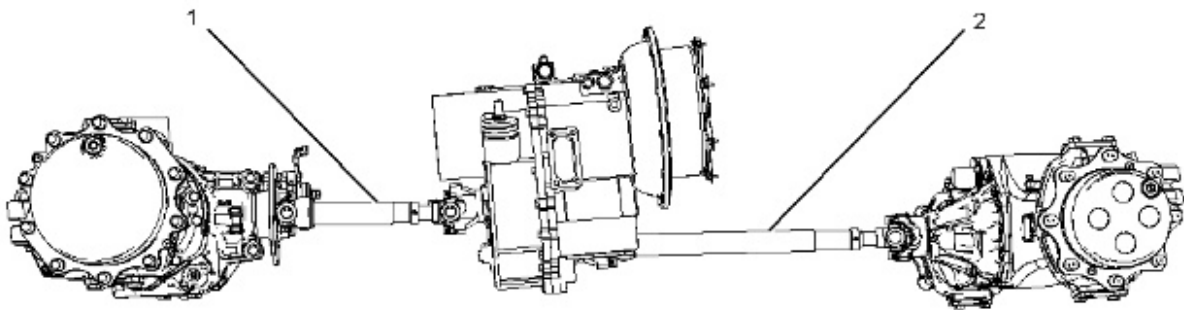


Illustration 1

g01587036

- (1) Rear drive shaft
- (2) Front drive shaft

Note: All threaded holes and all bolted joint surfaces of the axle and the transmission yokes must be clean, dry, free of oil, grease, and contaminants.

Front

216-4476 Drive Shaft (All Wheel Drive Manual) and 233-6738 Drive Shaft (All Wheel Drive Autoshift)

Thank you so much for reading.
Please click the “Buy Now!”
button below to download the
complete manual.



After you pay.

You can download the most
perfect and complete manual in
the world immediately.

Our support email:

ebooklibonline@outlook.com