



Service Repair Manual

Models

430F2 Backhoe Loader

Product: BACKHOE LOADER

Model: 430F2 BACKHOE LOADER HWG

Configuration: 430F2 IT Center Pivot Backhoe Loader HWG00001-UP (MACHINE) POWERED BY C4.4 Engine

Disassembly and Assembly C4.4 Engines for Caterpillar Built Machines

Media Number -UENR4516-11

Publication Date -01/06/2015

Date Updated -29/10/2018

i05820300

Valve Mechanism Cover - Remove and Install

SMCS - 1107-010

Removal Procedure

Start By:

- a. If the Clean Emission Module (CEM) is mounted on the valve mechanism cover. Removal of the CEM will be necessary in order to access the valve mechanism cover. Refer to Disassembly and Assembly, "Support and Mounting (CEM) - Remove and Install" for the correct procedure.

NOTICE

Keep all parts clean from contaminants.

Contaminants may cause rapid wear and shortened component life.

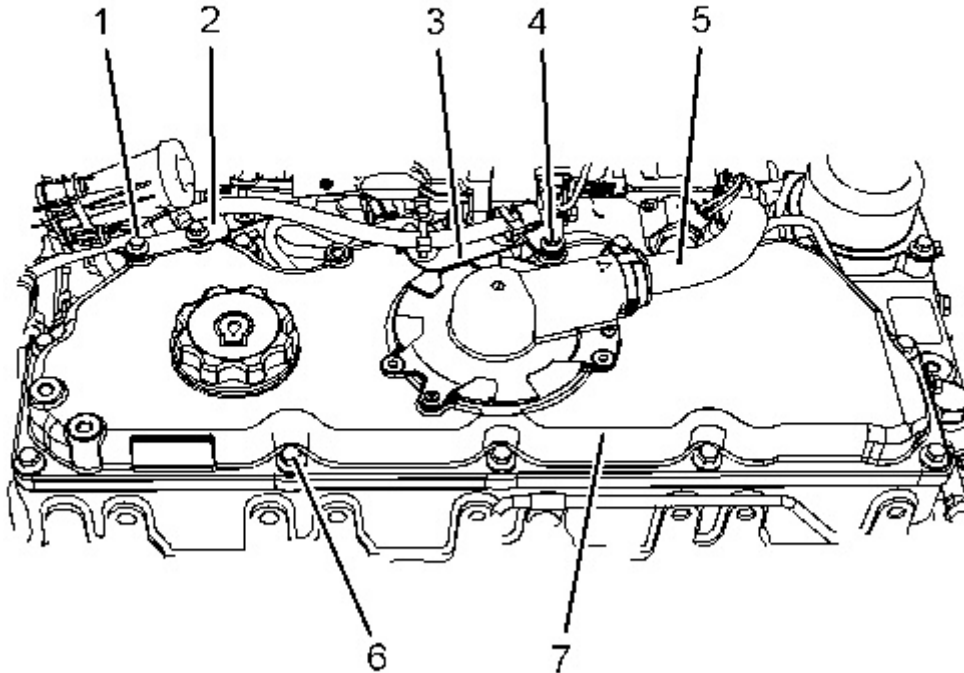


Illustration 1

g02522396

1. Remove bolts (1) and bolts (4) from bracket (2) and bracket (3). Position brackets and harness assembly away from valve mechanism cover (7).
2. Disconnect the plastic tube assembly (5) from the valve mechanism cover for the crankcase breather. Refer to Disassembly and Assembly, "Crankcase Breather - Remove" for the correct procedure.
3. Remove bolts (6) from valve mechanism cover (7).
4. Remove valve mechanism cover (7) from the cylinder head.

Note: Remove the valve mechanism cover vertically in order to avoid damage to the electronic unit injectors.

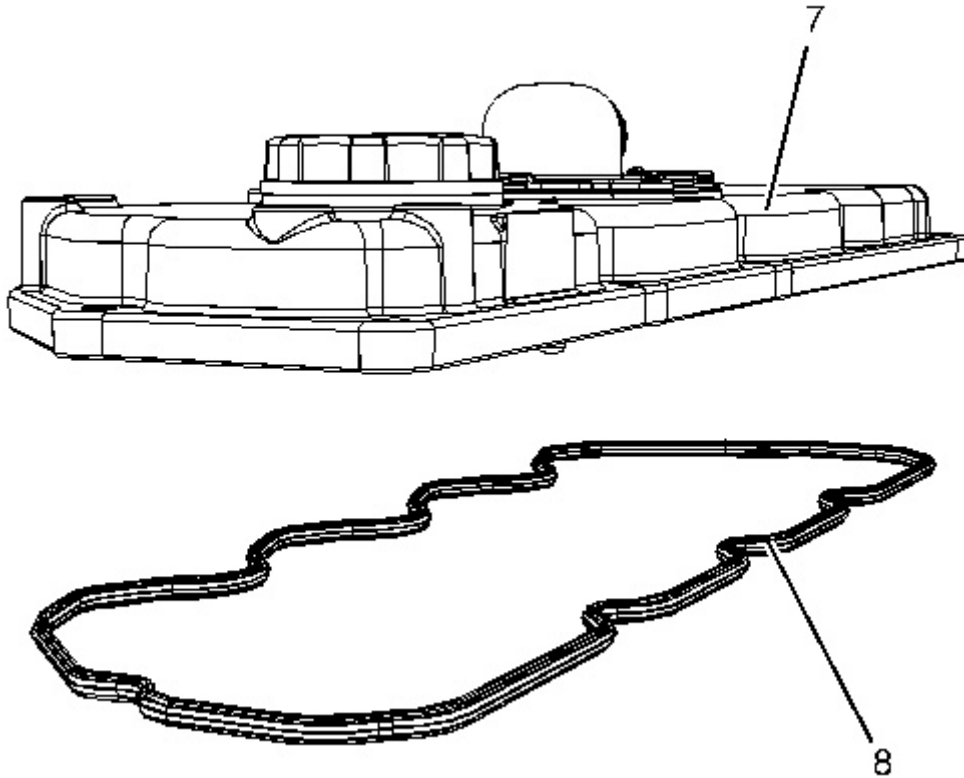


Illustration 2

g02522397

5. Remove gasket (8) from valve mechanism cover (7).

Installation Procedure

NOTICE

Keep all parts clean from contaminants.

Contaminants may cause rapid wear and shortened component life.

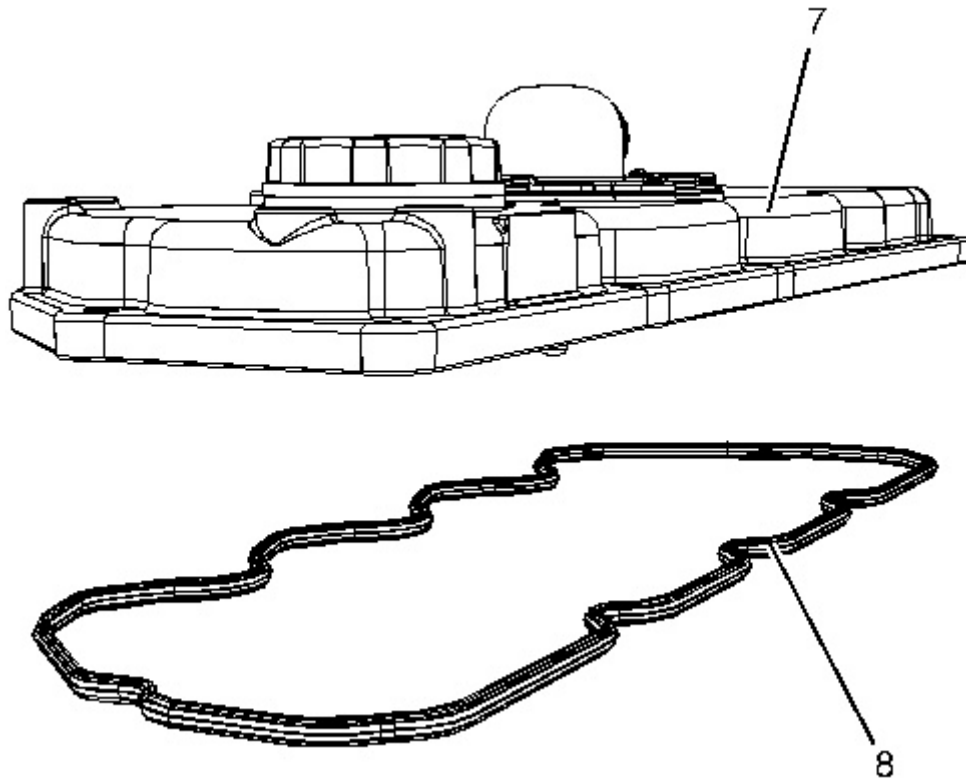


Illustration 3

g02522397

1. Thoroughly clean all gasket surfaces of valve mechanism cover (7). Clean the gasket surfaces of the cylinder head.
2. Inspect gasket (8) for damage. If necessary, install a new gasket (8) to valve mechanism cover (7).

Note: Ensure that the gasket is fully seated into the groove of the valve mechanism cover.

Thank you so much for reading.
Please click the “Buy Now!”
button below to download the
complete manual.



After you pay.

You can download the most
perfect and complete manual in
the world immediately.

Our support email:

ebooklibonline@outlook.com