



# Service Repair Manual

## **Model**

438C BACKHOE LOADER

---

Product: BACKHOE LOADER

Model: 438C BACKHOE LOADER 9KN

Configuration: 438C Backhoe Loader Center Pivot, Single Tilt 9KN01200-01418 (MACHINE) POWERED BY 3054 Engine

## Disassembly and Assembly 3054 Engine for Caterpillar Built Machines

Media Number -SEN6241-13

Publication Date -01/08/2008

Date Updated -04/08/2008

i01083913

# Fuel Injection Pump - Install - Type 1 Engines and 9RM Engines

SMCS - 1251-012

## Installation Procedure

Table 1

Required Tools			
Tool	Part Number	Part Description	Qty
A	173-9774	Bolt Remover <sup>(1)</sup>	1

<sup>(1)</sup> The bolt remover is required in order to install the tamper proof bolts on the access cover for the fuel injection pump.

**Note:** For a complete description of Type 1 and Type 2 Engines, refer to the Disassembly and Assembly, "Engine Design" topic.

---

### NOTICE

**Keep all parts clean from contaminants.**

**Contaminants may cause rapid wear and shortened component life.**

---

1. Inspect the condition of the gasket for the fuel injection pump. Replace the gasket, if necessary.
-

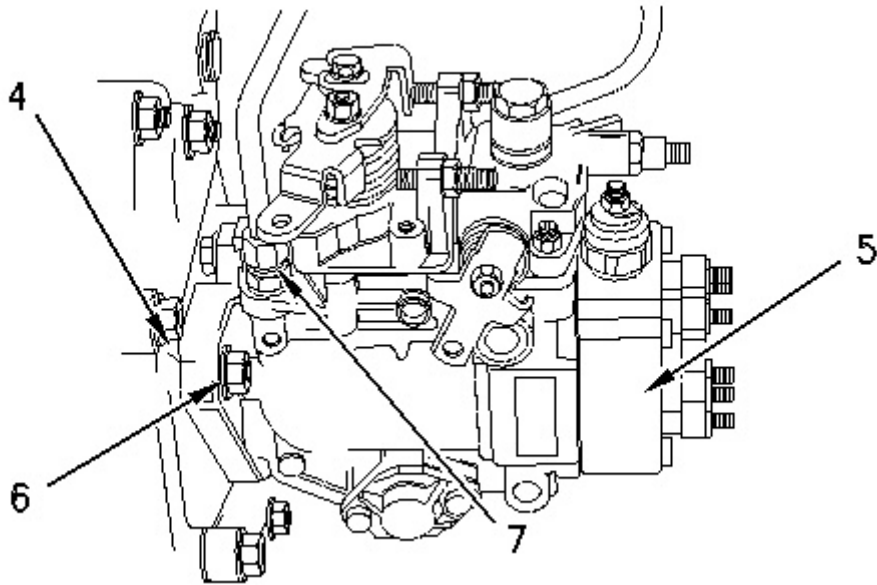


Illustration 1

g00545262

2. Install the gasket and fuel injection pump (5) .

**Note:** Align marks (4) that are on fuel injection pump (5) and the timing gear cover.

3. Install the key.

4. Install three nuts (6) that hold fuel injection pump (5) in position.

5. Connect hose (7) to fuel injection pump (5) .

6. Engage the gear with the fuel injection pump.

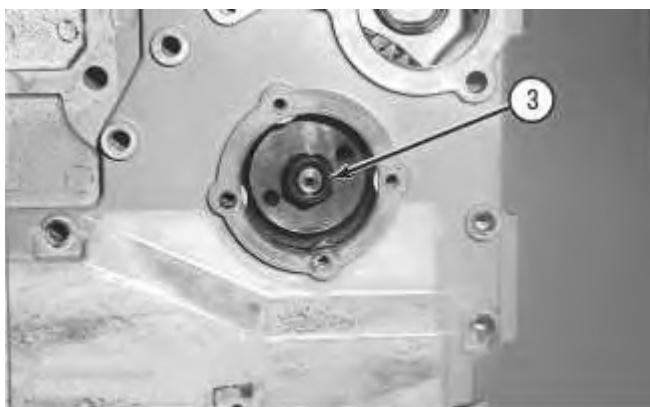


Illustration 2

g00545258

7. Install the lockwasher and nut (3) .

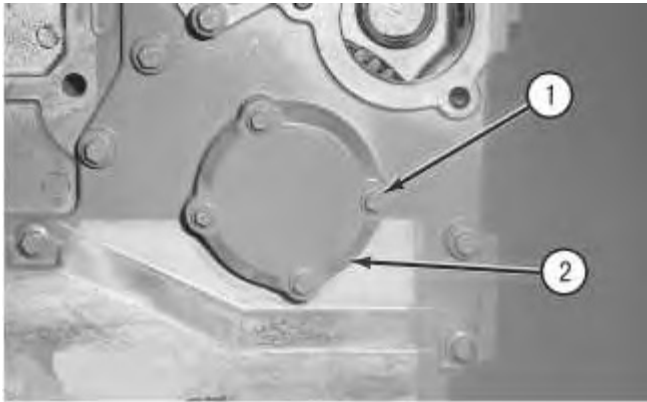


Illustration 3

g00545256

8. Install cover (2) and four bolts (1) .

**Note:** Some engines have four tamper proof bolts (1). Use Tool (A) in order to install the four bolts.

9. Set the timing of the fuel injection pump. Refer to the Testing and Adjusting Module for the correct procedure.

**End By:**

- a. Install the fuel injection lines. Refer to Disassembly and Assembly, "Fuel Injection Lines - Install".
- b. Install the water pump. Refer to Disassembly and Assembly, "Water Pump - Install".

Product: BACKHOE LOADER

Model: 438C BACKHOE LOADER 9KN

Configuration: 438C Backhoe Loader Center Pivot, Single Tilt 9KN01200-01418 (MACHINE) POWERED BY 3054 Engine

## **Disassembly and Assembly 3054 Engine for Caterpillar Built Machines**

Media Number -SEN6241-13

Publication Date -01/08/2008

Date Updated -04/08/2008

i01051839

# **Turbocharger - Remove**

SMCS - 1052-011

## **Removal Procedure**

---

### **NOTICE**

**Keep all parts clean from contaminants.**

**Contaminants may cause rapid wear and shortened component life.**

---

---

### **NOTICE**

**Care must be taken to ensure that fluids are contained during performance of inspection, maintenance, testing, adjusting and repair of the product. Be prepared to collect the fluid with suitable containers before opening any compartment or disassembling any component containing fluids.**

**Refer to Special Publication, NENG2500, "Caterpillar Tools and Shop Products Guide" for tools and supplies suitable to collect and contain fluids on Caterpillar products.**

**Dispose of all fluids according to local regulations and mandates.**

---

Thank you so much for reading.  
Please click the “Buy Now!”  
button below to download the  
complete manual.



After you pay.

You can download the most  
perfect and complete manual in  
the world immediately.

Our support email:

[ebooklibonline@outlook.com](mailto:ebooklibonline@outlook.com)