



# Service Repair Manual

## **Models**

444F2 Backhoe Loader

---

Product: BACKHOE LOADER

Model: 444F2 BACKHOE LOADER LYL

Configuration: 444F2 Side Shift Backhoe Loader LYL00001-UP (MACHINE) POWERED BY C4.4 Engine

## Disassembly and Assembly

### 422F2, 427F2, 428F2, 432F2, 434F2 and 444F2 Backhoe Loaders Powertrain

Media Number -UENR3743-01

Publication Date -01/06/2015

Date Updated -05/06/2018

i06145783

## Transmission (Direct Drive) - Disassemble

SMCS - 3030-015-DD

### Disassembly Procedure

Table 1

Required Tools			
Tool	Part Number	Part Description	Qty
A	395-1590	Lifting Eye Assembly	2
B	422-5471	Lifting Eye Assembly	1
C	4C-3652	Spring Compressor	1
D	1P-1859	Retaining Ring Pliers	1
E	8H-0663	Bearing Puller Gp	1
F	8B-7551	Bearing Puller Gp	1
G	1U-6400	Three Jaw Puller	1
H	137-8102	Spring Compressor	1

#### Start By:

- a. Remove the transmission.
-

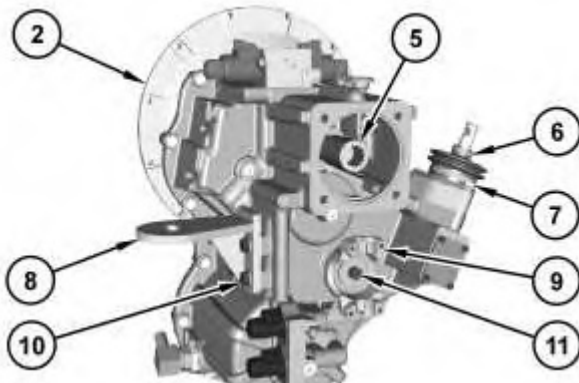


---

Illustration 1

g03827943

1. Use two people to remove torque converter (1). The weight of torque converter (1) is approximately 23 kg (51 lb). Remove torque converter (1) from transmission (2).
2. Remove bolt (4), the washer, and yoke (3) from transmission (2).



---

Illustration 2

g03828843

3. Remove shaft (5) from transmission (2).
  4. Remove bolts (7) and gear shift (6) from transmission (2).
  5. Remove bolts (10) and support assemblies (8) from transmission (2).
  6. Remove bolt (11), the washer, and yoke (9) from transmission (2).
-

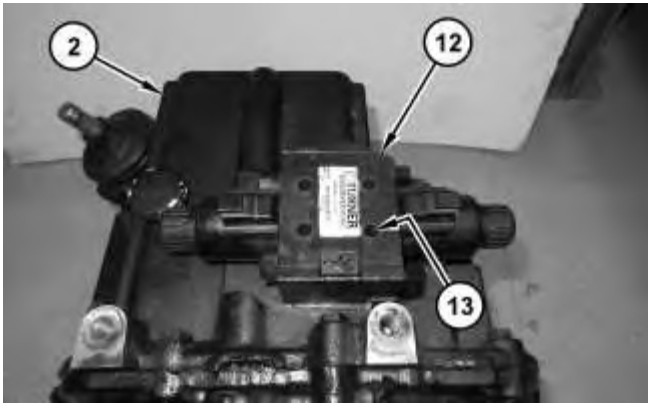


Illustration 3

g03828844

7. Remove bolts (13) and solenoid valve (12) from transmission (2).

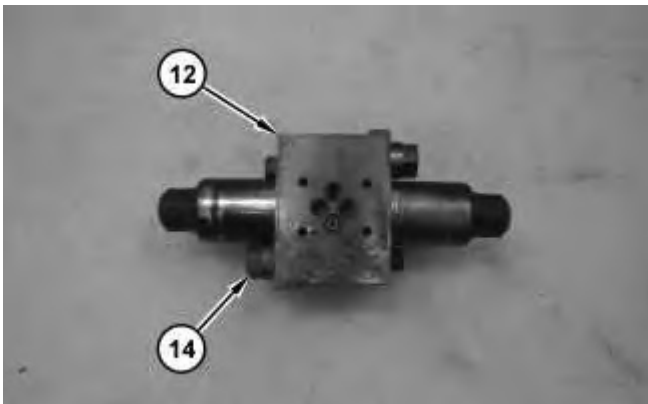


Illustration 4

g03828845

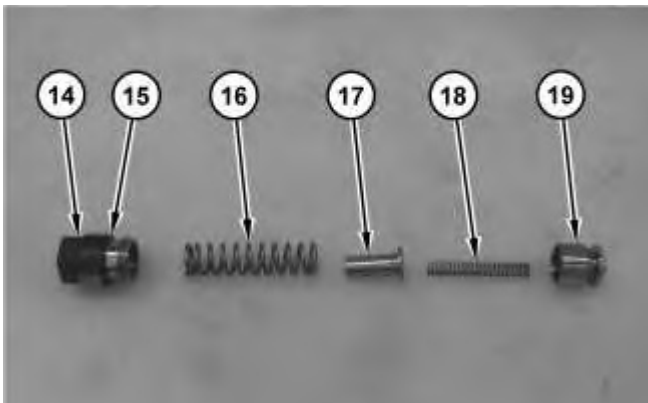


Illustration 5

g03828846



**WARNING**

**Personal injury can result from being struck by parts propelled by a released spring force.**

**Make sure to wear all necessary protective equipment.**

**Follow the recommended procedure and use all recommended tooling to release the spring force.**

---

8. Remove head (14) from solenoid valve (12). Remove O-ring seal (15) from head (14).
9. Remove spring (16), carrier (17), spring (18), and piston (19) from solenoid valve (12).

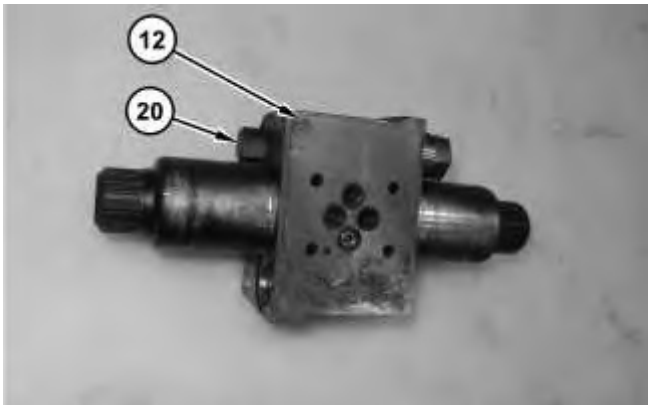


Illustration 6

g03828847

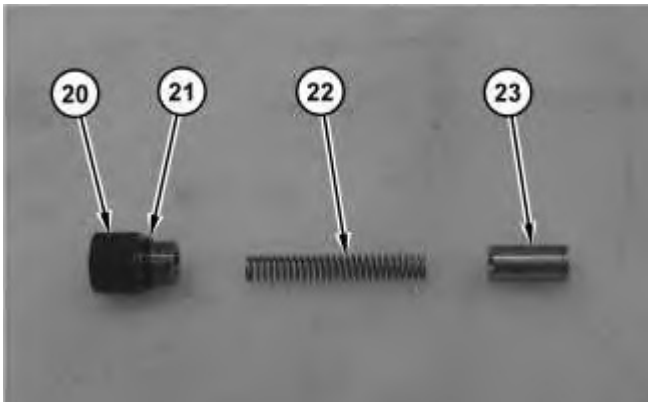


Illustration 7

g03828848

 **WARNING**

**Personal injury can result from being struck by parts propelled by a released spring force.**

**Make sure to wear all necessary protective equipment.**

**Follow the recommended procedure and use all recommended tooling to release the spring force.**

---

Thank you so much for reading.  
Please click the “Buy Now!”  
button below to download the  
complete manual.



After you pay.

You can download the most  
perfect and complete manual in  
the world immediately.

Our support email:

[ebooklibonline@outlook.com](mailto:ebooklibonline@outlook.com)