



Service Repair Manual

Models

730C Articulated Truck

Product: ARTICULATED TRUCK

Model: 730C ARTICULATED TRUCK TFF

Configuration: 730C Articulated Truck TFF00001-UP (MACHINE) POWERED BY C13 Engine

Disassembly and Assembly 730C and 730C EJECTOR Articulated Trucks Power Train

Media Number -UENR2348-00

Publication Date -01/10/2014

Date Updated -01/10/2014

i04937134

Torque Converter - Disassemble

SMCS - 3101-015

Disassembly Procedure

Table 1

Required Tools			
Tool	Part Number	Part Description	Qty
A	395-1099	Link Bracket	3
B	1P-0520	Driver Gp	1
C	154-6181	Forcing Screw	2

Start By:

- a. Remove the torque converter.



Illustration 1

g03114321

1. Attach Tooling (A) and a suitable lifting device to housing assembly (2). The weight of housing assembly (2) is approximately 30kg (70 lb). Remove bolts (1) and housing assembly (2).



Illustration 2

g03114919

2. Use Tooling (B) in order to remove bearing (3). Remove ring (4).



Illustration 3

g03114926

3. Remove ring (5) from piston (6). Remove piston (6). Remove O-ring seal (7).



Illustration 4

g03115060

4. Remove bolts (8) and coupling assembly (9). Remove race (11). Remove retainer (10) and the O-ring seal.



Illustration 5

g03115081

5. Remove plates and discs (12). Remove bearing (13).

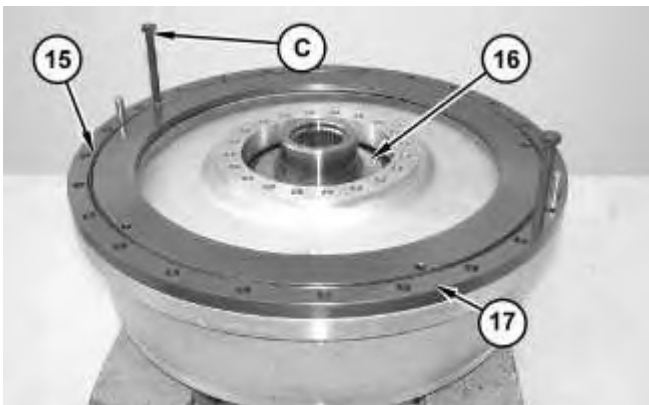
Note: Mark the sequence of plates and discs (12) for installation purposes.



Illustration 6

g03115096

6. Use Tooling (C) in order to remove plate (14) and the O-ring seal.



7. Remove O-ring seal (15). Remove race (16). Use Tooling (C) in order to remove plate (17).



Illustration 8

8. Remove dowels (18) and O-ring seal (19). Remove turbine (20).



Illustration 9

9. Remove hub (21).



Illustration 10

Thank you so much for reading.
Please click the “Buy Now!”
button below to download the
complete manual.



After you pay.

You can download the most
perfect and complete manual in
the world immediately.

Our support email:

ebooklibonline@outlook.com