



# Service Repair Manual

## **Models**

906 COMPACT

WHEEL LOADER

---

Product: COMPACT WHEEL LOADER

Model: 906 COMPACT WHEEL LOADER MER

Configuration: 906 Wheel Loader MER00001-UP (MACHINE) POWERED BY 3044C Engine

## Disassembly and Assembly

### 906 and 908 Compact Wheel Loaders 3044C Engine Supplement

Media Number -REN6453-00

Publication Date -01/11/2006

Date Updated -15/11/2006

i02630075

## Water Pump - Remove and Install

SMCS - 1361-010

### Removal Procedure



**At operating temperature, the engine coolant is hot and under pressure.**

**Steam can cause personal injury.**

**Check the coolant level only after the engine has been stopped and the fill cap is cool enough to touch with your bare hand.**

**Remove the fill cap slowly to relieve pressure.**

**Cooling system conditioner contains alkali. Avoid contact with the skin and eyes to prevent personal injury.**

---

### NOTICE

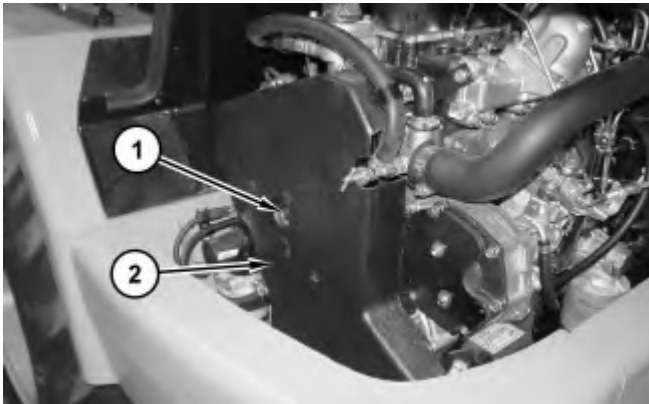
**Care must be taken to ensure that fluids are contained during performance of inspection, maintenance, testing, adjusting and repair of the product. Be prepared to collect the fluid with suitable containers before opening any compartment or disassembling any component containing fluids.**

**Refer to Special Publication, NENG2500, "Caterpillar Tools and Shop Products Guide" for tools and supplies suitable to collect and contain fluids on Caterpillar products.**

**Dispose of all fluids according to local regulations and mandates.**

---

1. Open the hood.
2. Turn the battery disconnect switch to the OFF position.
3. Drain the coolant from the cooling system into a suitable container for storage or disposal. Refer to Operation and Maintenance Manual for the correct procedure.

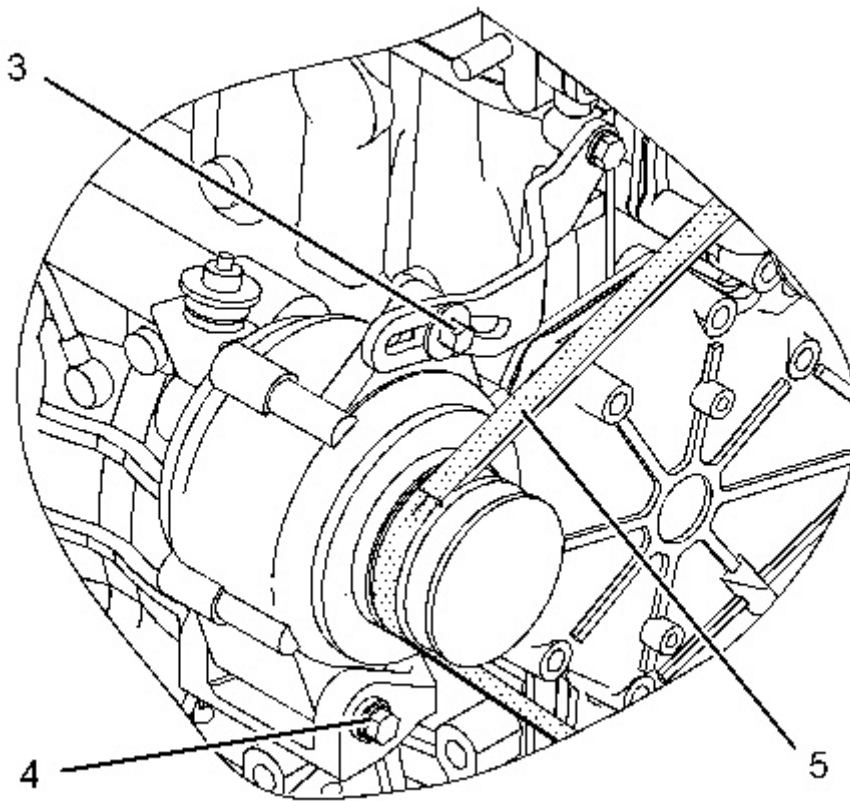


---

Illustration 1

g01318369

4. Remove bolts (1) and cover (2) .
-

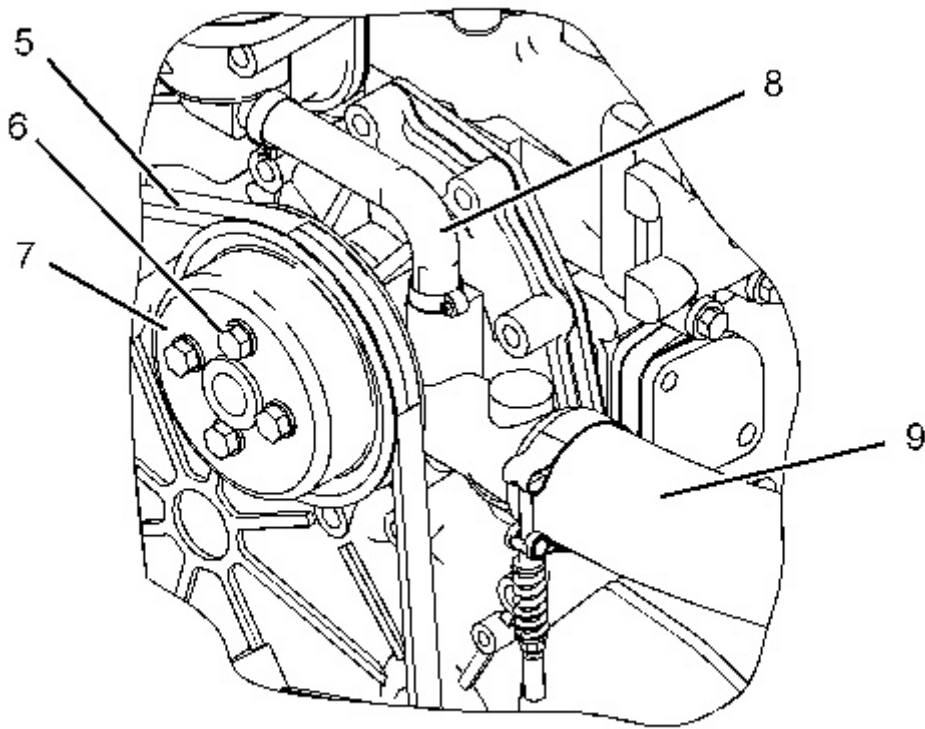


---

Illustration 2

g01037886

5. Loosen bolts (3) and (4). Rotate the alternator in order to loosen belt (5) .
-



---

Illustration 3

g01037901

6. Remove belt (5). Remove bolts (6) and remove pulley (7). Disconnect hoses (8) and (9) .
-

Thank you so much for reading.  
Please click the “Buy Now!”  
button below to download the  
complete manual.



After you pay.

You can download the most  
perfect and complete manual in  
the world immediately.

Our support email:

[ebooklibonline@outlook.com](mailto:ebooklibonline@outlook.com)