



Service Repair Manual

Models

951B 951C TRACK LOADER

Product: TRACK LOADER

Model: 951B TRACK LOADER 86J

Configuration: 951C TRAXCAVATOR 86J04042-UP (MACHINE) POWERED BY 3304 ENGINE

Disassembly and Assembly 37-MT, 41-MT, and 42-MT Series Starting Motors

Media Number -SEN3581-04

Publication Date -01/10/2008

Date Updated -24/10/2008

i01557321

General Information

SMCS - 1453

37-MT and 41-MT Starting Motors

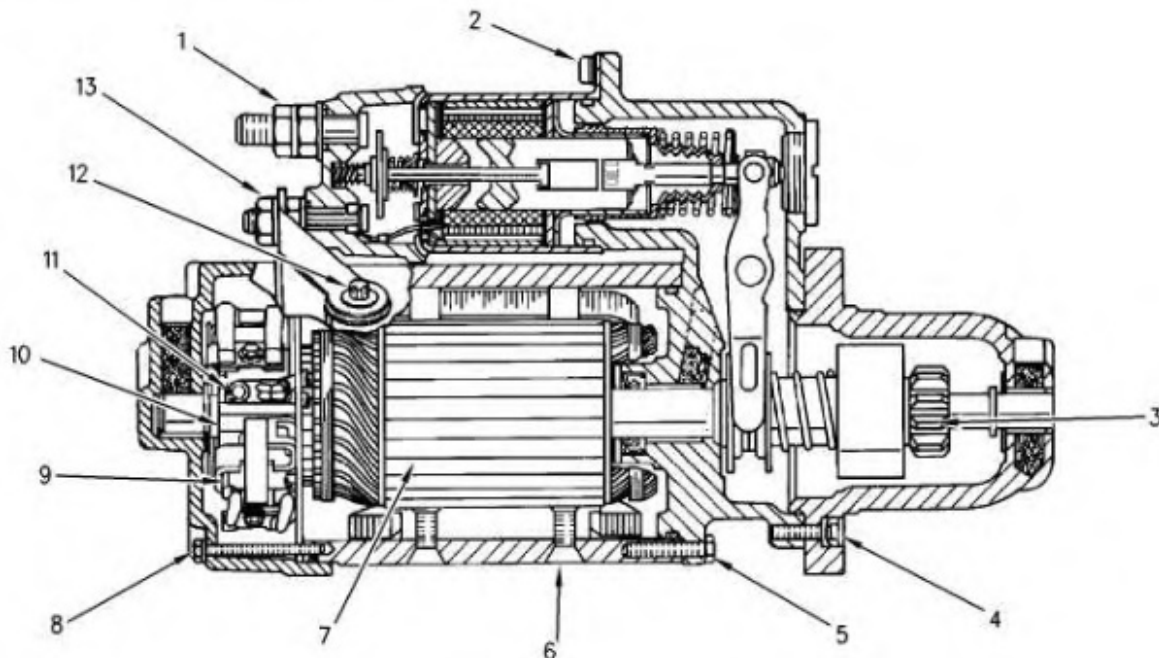


Illustration 1

g00782868

37-MT and 41-MT Cross section view

(1) Nut (Battery)

(2) Solenoid Mounting Screws

(3) Pinion

- (4) Pinion Drive Housing Bolts
- (5) Shift Lever Housing Bolts
- (6) Field Winding Screws
- (7) Laminated Core
- (8) Rear Housing Bolts
- (9) Brush
- (10) Commutator
- (11) Brush Lead Screws
- (12) Motor Terminal Bolt
- (13) Motor Terminal Nut

42-MT Starting Motors

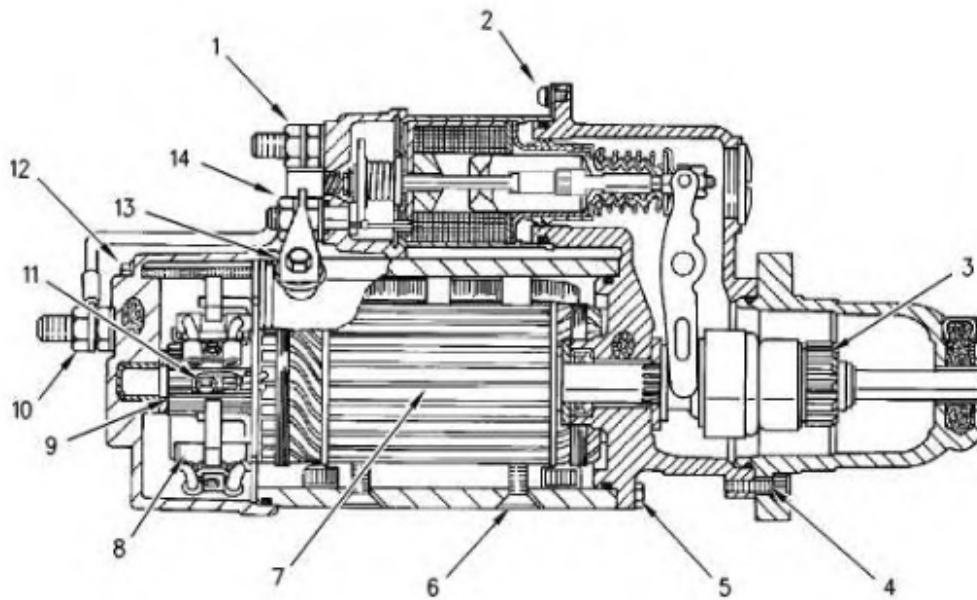


Illustration 2

g00801373

42-MT Cross section view

- (1) Nut (Battery)
- (2) Solenoid Mounting Screws
- (3) Pinion
- (4) Pinion Drive Housing Bolts
- (5) Shift Lever Housing Bolts

- (6) Field Winding Screws
- (7) Laminated Core
- (8) Brush
- (9) Commutator
- (10) Ground Terminal Nut
- (11) Brush Lead Screws
- (12) Rear Housing Bolt
- (13) Motor Terminal Bolt
- (14) Motor Terminal Nut

Product: TRACK LOADER

Model: 951B TRACK LOADER 86J

Configuration: 951C TRAXCAVATOR 86J04042-UP (MACHINE) POWERED BY 3304 ENGINE

Disassembly and Assembly 37-MT, 41-MT, and 42-MT Series Starting Motors

Media Number -SEN3581-04

Publication Date -01/10/2008

Date Updated -24/10/2008

i01559954

Starting Motor - Disassemble - 42-MT

SMCS - 1453-015

Disassemble the Starting Motor

Note: The disassembly and assembly that follows is of the 24 volt starting motor. The 12 volt is similar.

Table 1

Required Tools			
Tool	Part Number	Part Description	Quantity
A	1P-1855	Retaining Ring Pliers	1
B	1P-0510	Driver Gp	1

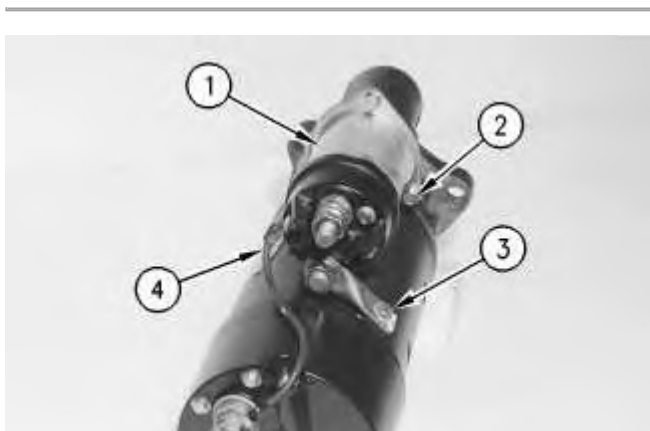


Illustration 1

g00810559

Thank you so much for reading.
Please click the “Buy Now!”
button below to download the
complete manual.



After you pay.

You can download the most
perfect and complete manual in
the world immediately.

Our support email:

ebooklibonline@outlook.com