



Service Repair Manual

Models

992K Wheel Loader

Product: WHEEL LOADER

Model: 992K WHEEL LOADER KK4

Configuration: 992K Wheel Loader KK400001-UP (MACHINE) POWERED BY C32 Engine

Disassembly and Assembly C27 and C32 Engines for Caterpillar Built Machines

Media Number -KENR8148-13

Publication Date -01/09/2018

Date Updated -05/09/2018

i04593412

Crankshaft Front Seal - Remove and Install

SMCS - 1160-010

Removal Procedure

Table 1

Required Tools			
Tool	Part Number	Part Description	Qty
A	1U-7600	Slide Hammer Puller	1
B	-	Pry Bar	1
C	5P-7312	Seal Distorter	1
D	5P-7314	Distorter Ring	1
E	5P-1733	Seal Locator	1
	5P-1737	Bolt	3
	9S-8858	Nut (Seal Installer)	1
	6V-6142	Seal Installer	1

Start By:

- a. Remove the crankshaft vibration damper and pulley.

NOTICE

Keep all parts clean from contaminants.

Contaminants may cause rapid wear and shortened component life.

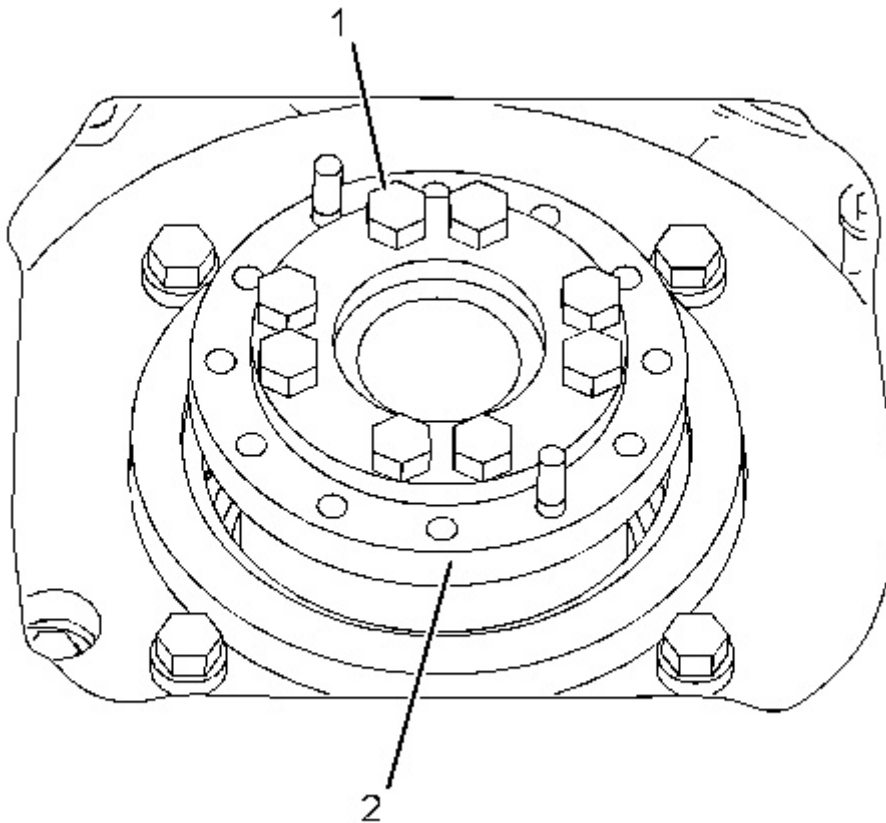


Illustration 1

g01098057

1. Remove bolts (1) and adapter (2).

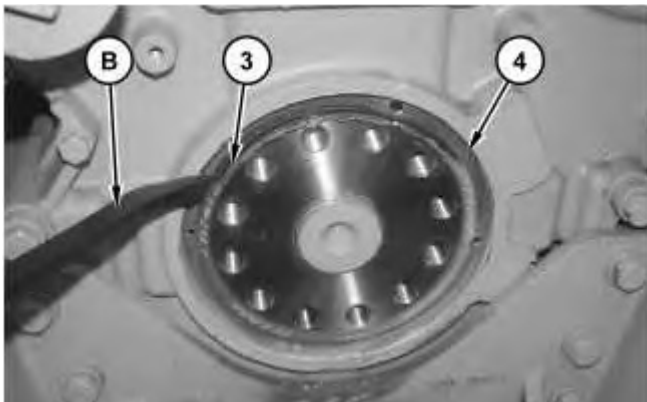


Illustration 2

g01513439

Note: Ensure that you do not damage the front housing with Tooling (B).

Note: If the crankshaft wear sleeve starts to slide off the crankshaft, go to Step 3.

2. Use Tooling (B) to pry around the lip of crankshaft wear sleeve (3).
3. Use Tooling (A) to puncture three or more holes in crankshaft front seal (4).
4. Use Tooling (A) to remove crankshaft front seal (4).
5. If necessary, use Tooling (C) and Tooling (D) to remove crankshaft wear sleeve (3).

Installation Procedure

1. Clean the outside diameter of the crankshaft.

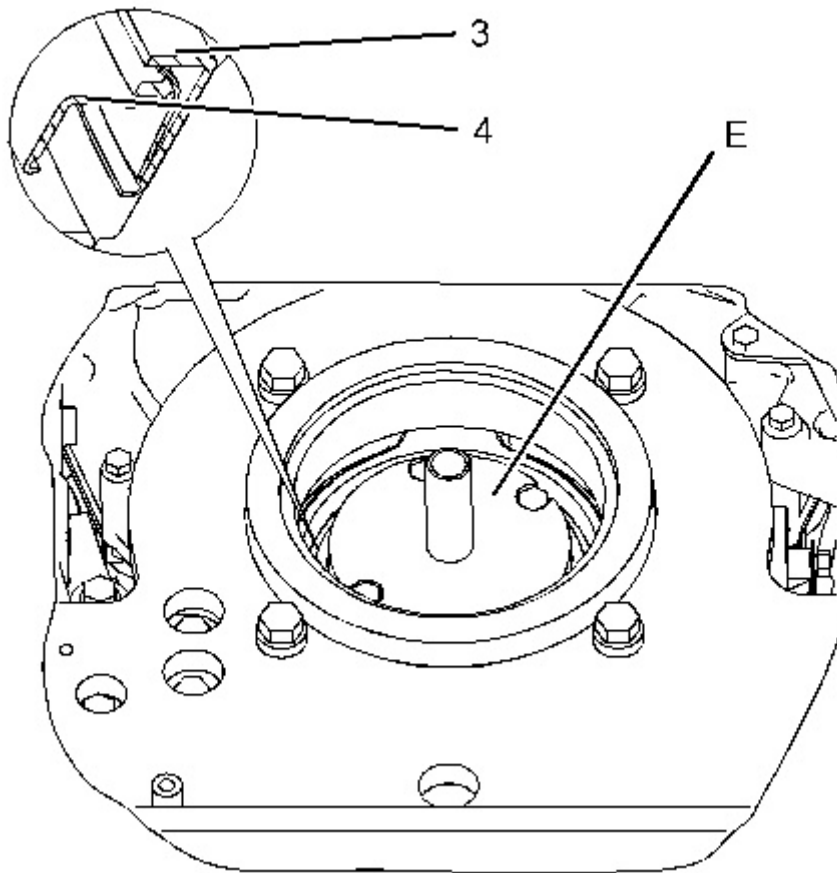


Illustration 3

g01513455

2. Use Tooling (E) to install crankshaft front seal (4) and crankshaft wear sleeve (3) as a unit.

Note: Install the crankshaft front seal with the arrow that shows the direction of crankshaft rotation toward the front of the engine.

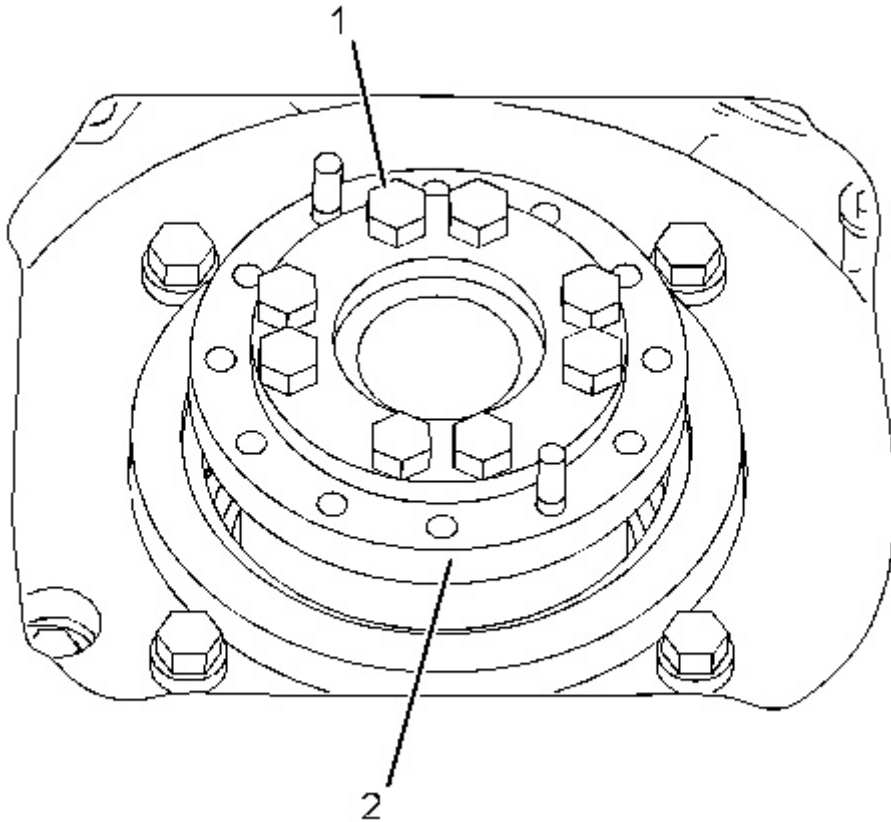


Illustration 4

g01098057

3. Install adapter (2) and bolts (1).

End By:

- a. Install the crankshaft vibration damper and pulley.

Thank you so much for reading.
Please click the “Buy Now!”
button below to download the
complete manual.



After you pay.

You can download the most
perfect and complete manual in
the world immediately.

Our support email:

ebooklibonline@outlook.com