



Service Repair Manual

Models

993K Wheel Loader

Product: WHEEL LOADER

Model: 993K WHEEL LOADER Z4D

Configuration: 993K Wheel Loader Z4D00001-UP (MACHINE) POWERED BY C32 Engine

Disassembly and Assembly 993K Wheel Loader Power Train

Media Number -KENR5569-01

Publication Date -01/10/2012

Date Updated -05/07/2017

i05010234

Service Brake - Disassemble

SMCS - 4251-015

Disassembly Procedure

Table 1

Required Tools			
Tool	Part Number	Part Description	Qty
A	138-7575	Link Bracket	2
	6V-5684	Bolt	2
	5P-8245	Hard Washer	2

Start By:

- a. Remove the service brake.



WARNING

Personal injury can result from being struck by parts propelled by a released spring force.

Make sure to wear all necessary protective equipment.

Follow the recommended procedure and use all recommended tooling to release the spring force.

1. Remove bolts (1) and the washers. Use Tooling (A) and a suitable lifting device in order to remove reaction plate (2). The weight of reaction plate (2) is approximately 23 kg (50 lb).

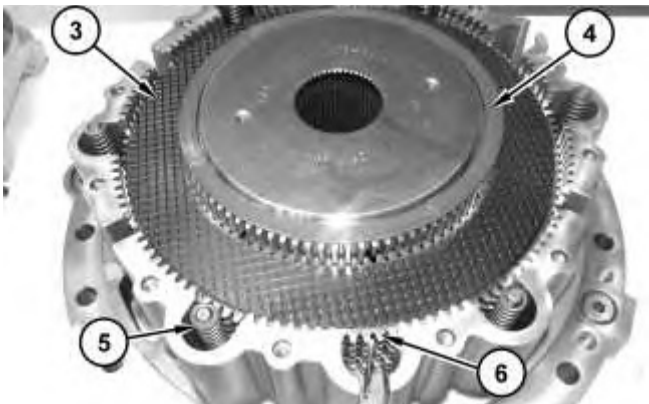


Illustration 2

g01495093

2. Remove thrust washer (4). Remove discs (3). Remove plates (6). Remove springs (5).



Illustration 3

g01495273



Illustration 4

g01495113

3. Remove hub (7). Remove piston (8). Remove dowels (9). Apply shop air to Hole (Z).

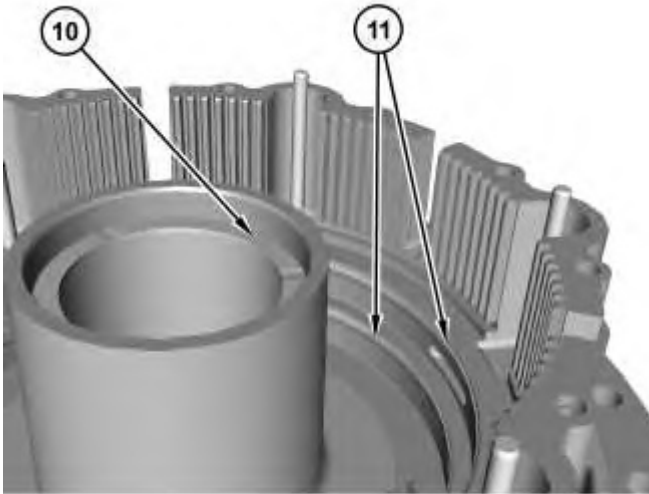


Illustration 5

g03183136

4. Remove thrust washer (10) and seals (11).

Product: WHEEL LOADER

Model: 993K WHEEL LOADER Z4D

Configuration: 993K Wheel Loader Z4D00001-UP (MACHINE) POWERED BY C32 Engine

Disassembly and Assembly 993K Wheel Loader Power Train

Media Number -KENR5569-01

Publication Date -01/10/2012

Date Updated -05/07/2017

i05009814

Service Brake - Assemble

SMCS - 4251-016

Assembly Procedure

Table 1

Required Tools			
Tool	Part Number	Part Description	Qty
A	138-7575	Link Bracket	2
	6V-5684	Bolt	2
	5P-8245	Hard Washer	2
B	369-9450	Grease	1

Thank you so much for reading.
Please click the “Buy Now!”
button below to download the
complete manual.



After you pay.

You can download the most
perfect and complete manual in
the world immediately.

Our support email:

ebooklibonline@outlook.com