

Product: TRACK-TYPE TRACTOR

Model: D6N TRACK-TYPE TRACTOR P5S

Configuration: D6N XL Track-Type Tractor P5S00001-UP (MACHINE) POWERED BY C7.1 Engine

Disassembly and Assembly D5R and D6N Track-Type Tractor Power Train

Media Number -M0071174-02

Publication Date -01/09/2015

Date Updated -25/07/2018

i06688268

Bevel and Transfer Gears - Disassemble

SMCS - 3011-015

Disassembly Procedure

Table 1

| Required Tools | | | |
|----------------|-------------|---------------------------|-----|
| Tool | Part Number | Part Description | Qty |
| A | 1P-2420 | Transmission Repair Stand | 1 |
| B | 5F-7343 | Bearing Puller Gp | 1 |
| C | 8T-2839 | Spanner Wrench | 1 |

Start By:

- Separate the transmission and bevel gears

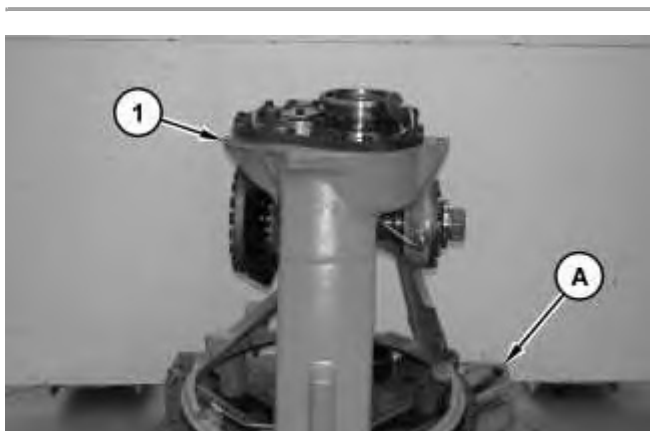


Illustration 1

g02560901

1. Mount bevel and transfer gears (1) onto Tooling (A).

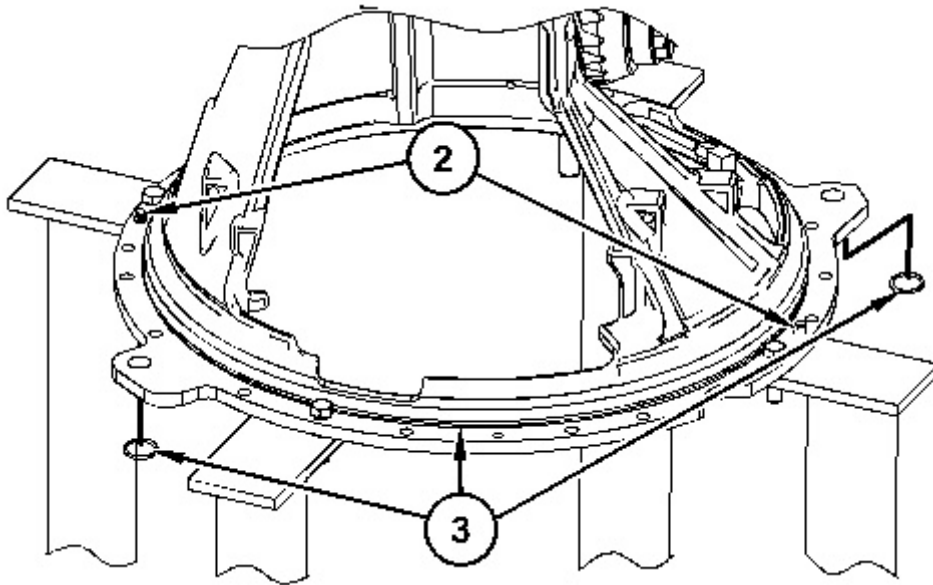


Illustration 2

g02561261

2. Remove O-ring seals (3).
3. If necessary, remove pins (2).

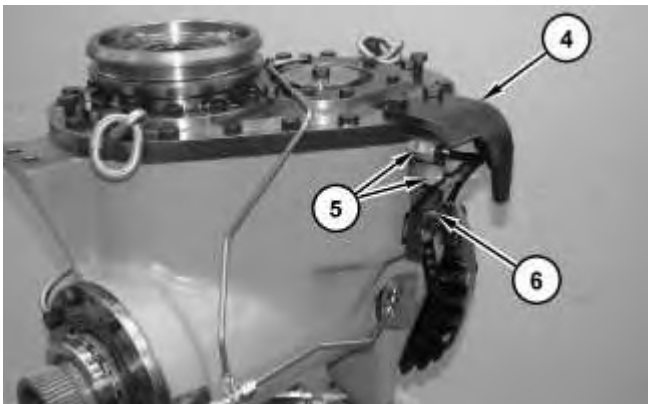


Illustration 3

g02561677

4. Remove guard (4), if installed, sensors (5), and bracket (6).
-

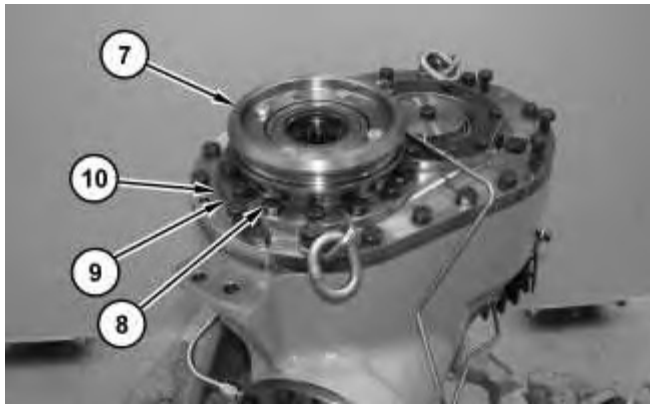


Illustration 4

g02561822

5. Remove pulley (7). Remove cage (9) and shims (10).

Note: Use two bolts (8) to remove cage (9).

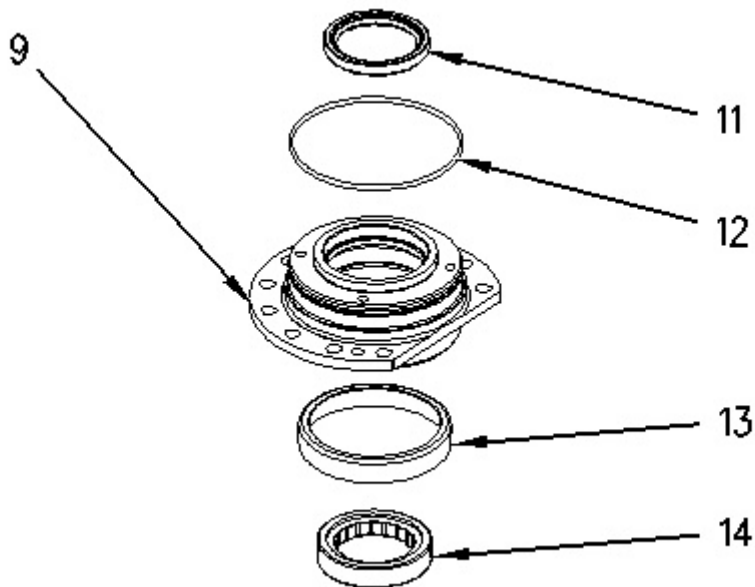
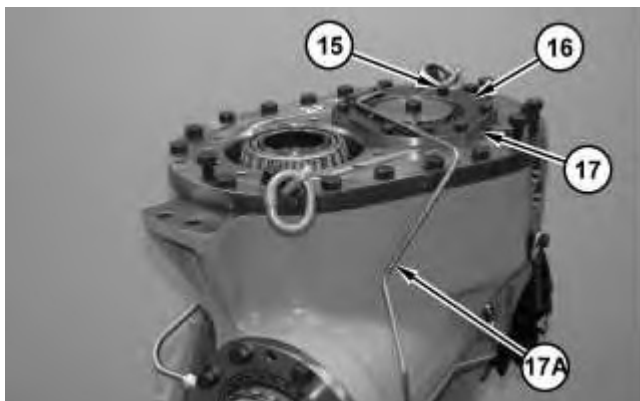


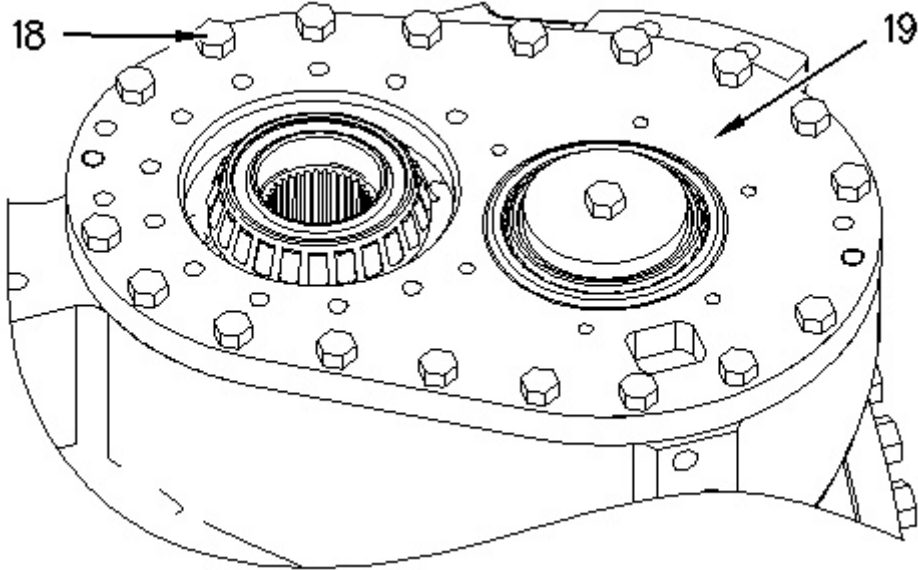
Illustration 5

g00994151

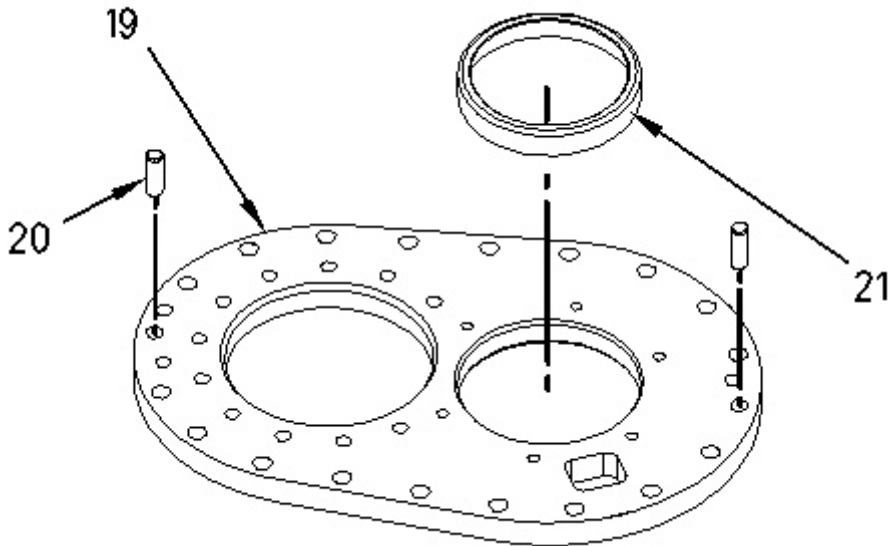
6. Remove O-ring seal (12), seal (11), bearing cone (14), and bearing cup (13) from cage (9).



7. Remove bolts (15), cover (16), and shims (17).
8. Remove tube (17A).



9. Remove bolts (18). Use two bolts (18) to remove cover (19). Tighten bolts (18) evenly and remove cover (19).



10. If necessary, remove dowels (20) and bearing cup (21) from cover (19).
-

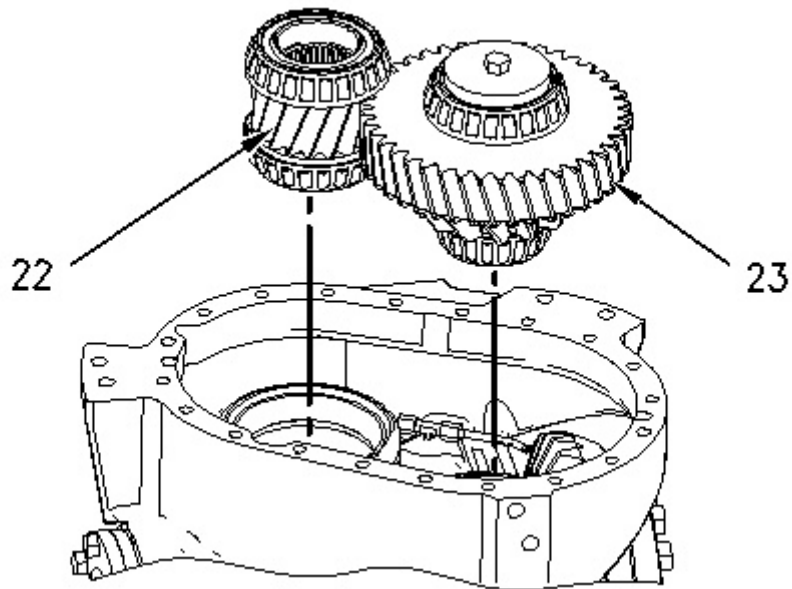


Illustration 9

g00954590

11. Remove gear (22) and gear (23) from the case assembly.

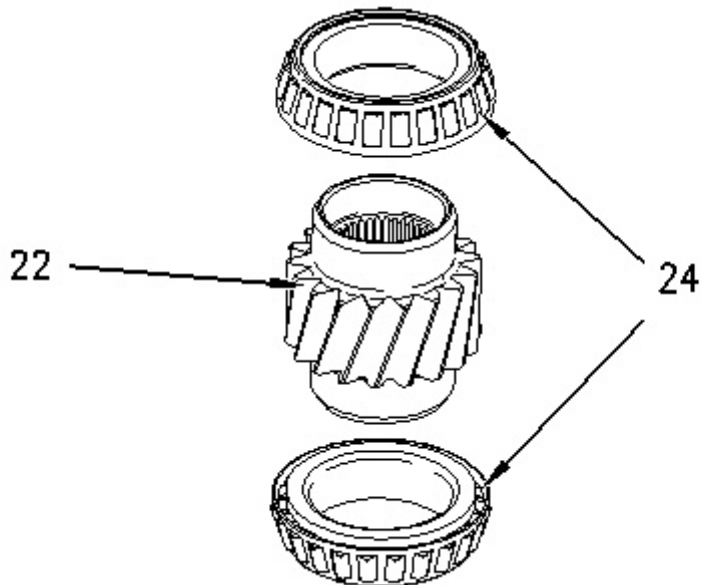


Illustration 10

g00954593

Note: Bearing cones (24) must be destroyed to remove the cones from the gear.

12. Remove bearing cones (24) from gear (22).

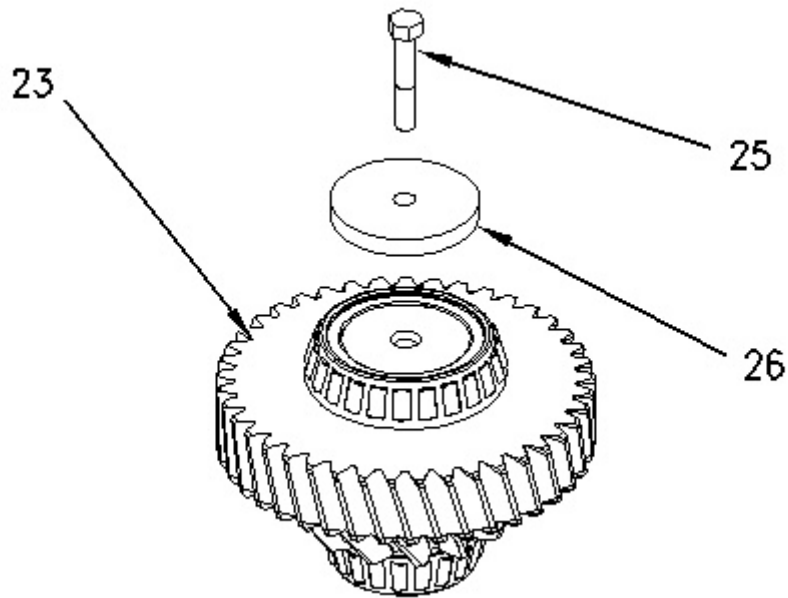


Illustration 11

g00994158

13. Remove bolt (25) and retainer (26) from gear (23).
-

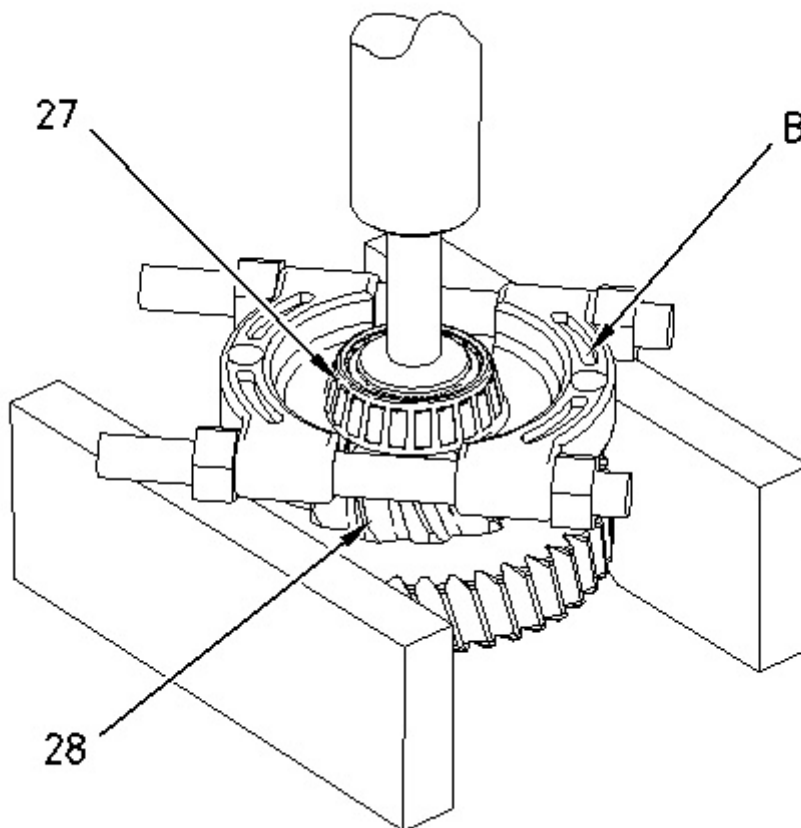


Illustration 12

g00954591

14. Use Tooling (B) and a suitable press to remove bearing cone (27) from gear (28).
-

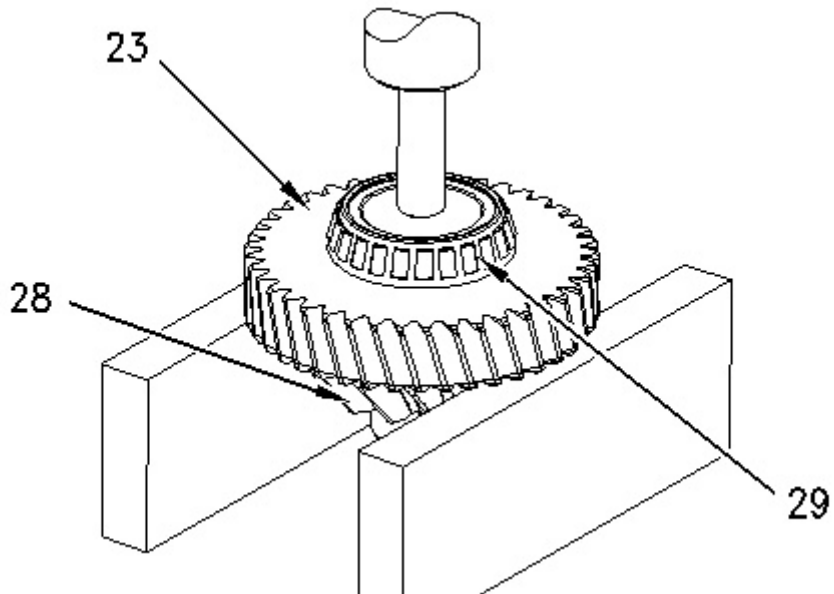


Illustration 13

g00994331

15. Use a suitable press to remove bearing cone (29) from gear (28) and from gear (23).

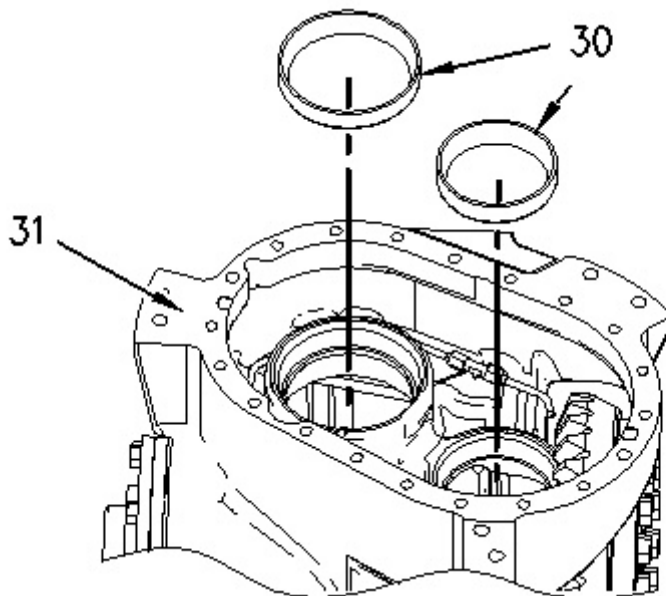


Illustration 14

g00954857

16. Remove bearing cups (30) from case (31).

Thank you so much for reading.
Please click the “Buy Now!”
button below to download the
complete manual.



After you pay.

You can download the most
perfect and complete manual in
the world immediately.

Our support email:

ebooklibonline@outlook.com