



Service Repair Manual

Models

D6R TRACK-TYPE TRACTOR

Product: TRACK-TYPE TRACTOR

Model: D6R TRACK-TYPE TRACTOR 3ZN

Configuration: D6R Track-Type Tractor Differential Steering 3ZN00001-UP (MACHINE) POWERED BY 3306 Engine

Disassembly and Assembly 3304B and 3306B Engines for Caterpillar Built Machines

Media Number -SEN5598-09

Publication Date -01/01/2013

Date Updated -25/01/2013

i01045029

Spacer Plate - Remove and Install

SMCS - 1221-010

Removal Procedure

Start By:

- A. Remove the cylinder head. Refer to Disassembly and Assembly, "Cylinder Head - Remove".

NOTICE

Keep all parts clean from contaminants.

Contaminants may cause rapid wear and shortened component life.

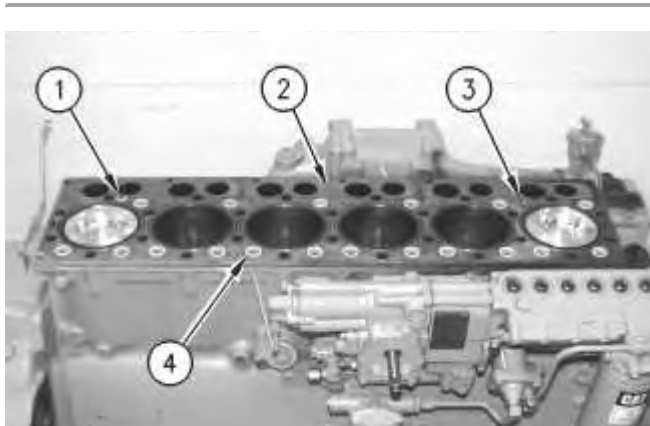


Illustration 1

g00540847

1. Remove O-ring seal (1), water seals (3) and water directors (4) from spacer plate (2) .

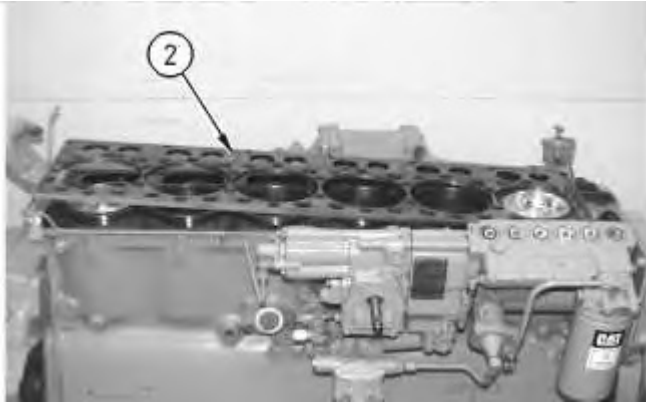


Illustration 2

g00540857

NOTICE

Do not damage the dowels as the spacer plate is removed.

2. Remove spacer plate (2) from the cylinder head.

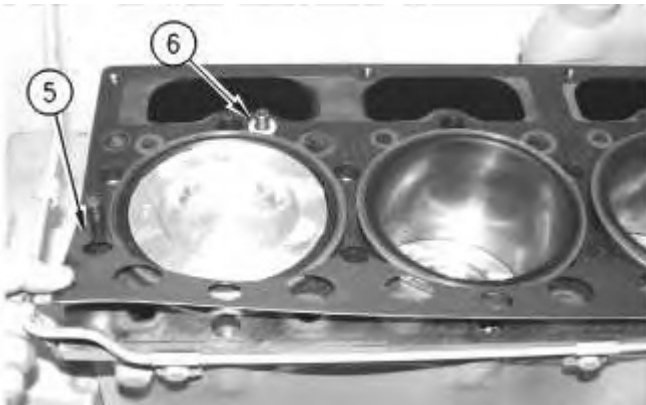


Illustration 3

g00540895

3. Remove O-ring seal (6) and spacer plate gasket (5) from the cylinder head.

Installation Procedure

NOTICE

Keep all parts clean from contaminants.

Contaminants may cause rapid wear and shortened component life.

1. Thoroughly clean the mating surfaces between the spacer plate and the cylinder block.

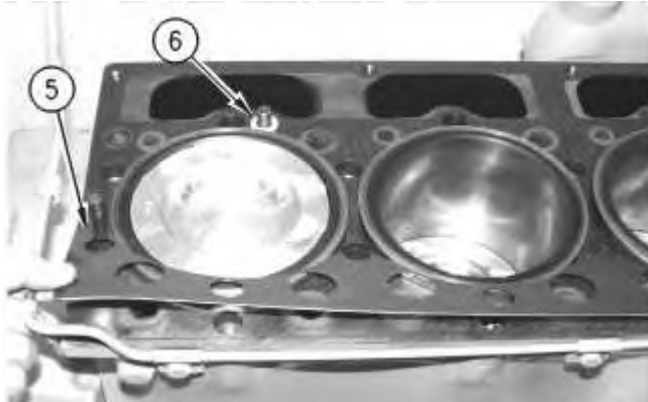


Illustration 4

g00540895

2. Install new spacer plate gasket (5) and new O-ring seal (6) .

Note: If the dowels in the cylinder block have been removed for any reason, the overall height of the installation is 16.0 ± 5.0 mm ($.63 \pm .20$ inch).

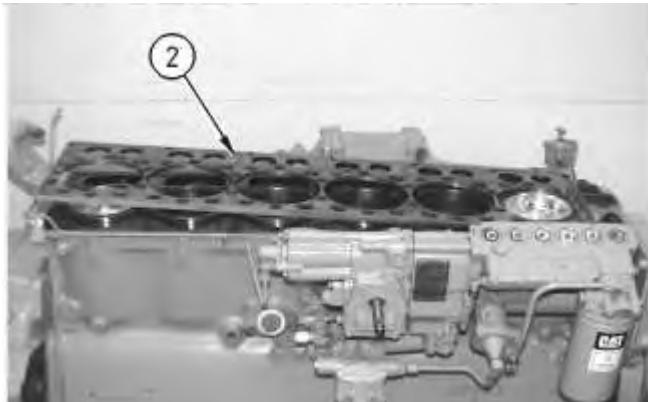


Illustration 5

g00540857

Note: Both surfaces of the spacer plate, spacer plate gasket and the top of the cylinder block must be clean and dry. Do not use any gasket adhesive or other substances on these surfaces.

3. Install spacer plate (2) on the cylinder head.

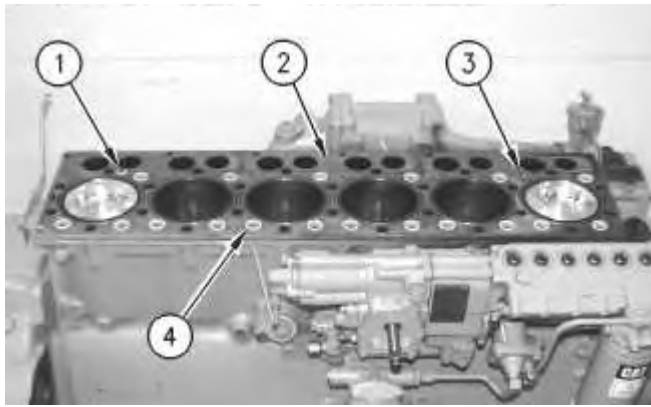


Illustration 6

g00540847

4. Install a new O-ring seal (1). Install new water seals (3). Install new water directors (4) .
5. Check the cylinder liner projection. Refer to Disassembly and Assembly, "Cylinder Liner - Install".

End By: Install the cylinder head. Refer to Disassembly and Assembly, "Cylinder Head - Install".

Thank you so much for reading.
Please click the “Buy Now!”
button below to download the
complete manual.



After you pay.

You can download the most
perfect and complete manual in
the world immediately.

Our support email:

ebooklibonline@outlook.com