



Service Repair Manual

Models

E240B EXCAVATOR

Product: EXCAVATOR

Model: E240B EXCAVATOR 8SF

Configuration: E240B, EL240B TRACK-TYPE EXCAVATORS 8SF00001-UP (MACHINE) POWERED BY 3116 ENGINE

Disassembly and Assembly

446 and 446B Backhoe Loaders, Lexion 450 Combine, 3114 and 3116 Engines, IT18F Integrated Toolcarrier, D6M Track-Type Tractor and 928F, 950F and 950G Wheel Loaders

Media Number -SEN3611-18

Publication Date -01/05/2009

Date Updated -27/05/2009

i01928280

Fuel Filter Base - Remove and Install

SMCS - 1262-010

Removal Procedure

Table 1

Required Tools			
Tool	Part Number	Part Description	Qty
A	185-3630	Strap Wrench As	1

Start By:

- Remove the crankcase breather. Refer to Disassembly and Assembly, "Crankcase Breather - Remove and Install".

NOTICE

Keep all parts clean from contaminants.

Contaminants may cause rapid wear and shortened component life.

NOTICE

Care must be taken to ensure that fluids are contained during performance of inspection, maintenance, testing, adjusting, and repair of the product. Be prepared to collect the fluid with suitable containers

before opening any compartment or disassembling any component containing fluids.

Refer to Special Publication, NENG2500, "Dealer Service Tool Catalog" for tools and supplies suitable to collect and contain fluids on Cat products.

Dispose of all fluids according to local regulations and mandates.

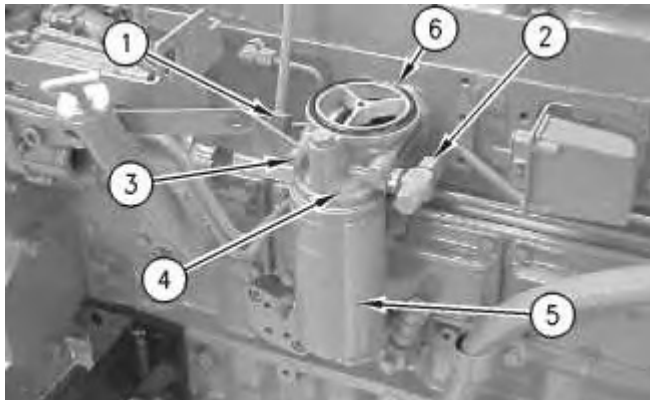


Illustration 1
Typical example

g00629777

1. Use Tooling (A) to remove fuel filter (5).
 2. Disconnect tube assemblies (1) and (2) from fuel filter base (4).
 3. Remove bolts (3) from fuel filter base (4).
 4. Remove fuel filter base (4) and the gasket from the engine.
-

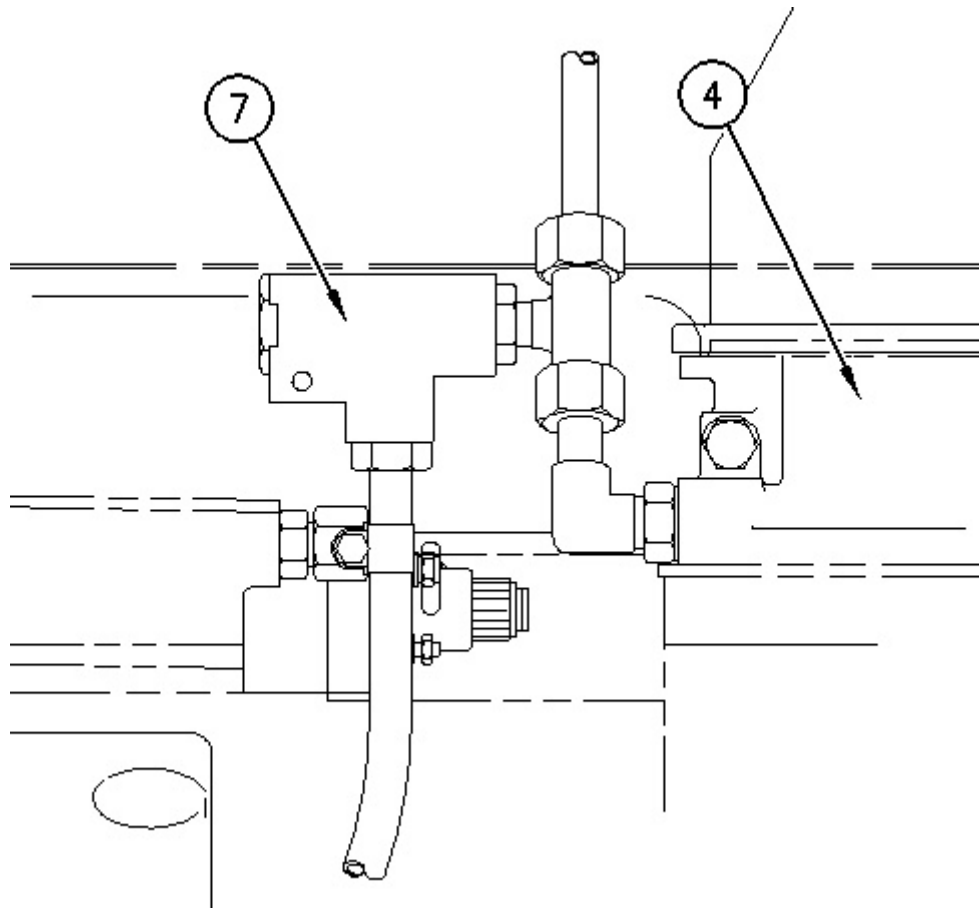


Illustration 2

g00629788

- Remove fuel pressure relief valve (7) from fuel filter base (4), if necessary.

Installation Procedure

Table 2

Required Tools			
Tool	Part Number	Part Description	Qty
A	185-3630	Strap Wrench As	1

NOTICE

Keep all parts clean from contaminants.

Contaminants may cause rapid wear and shortened component life.

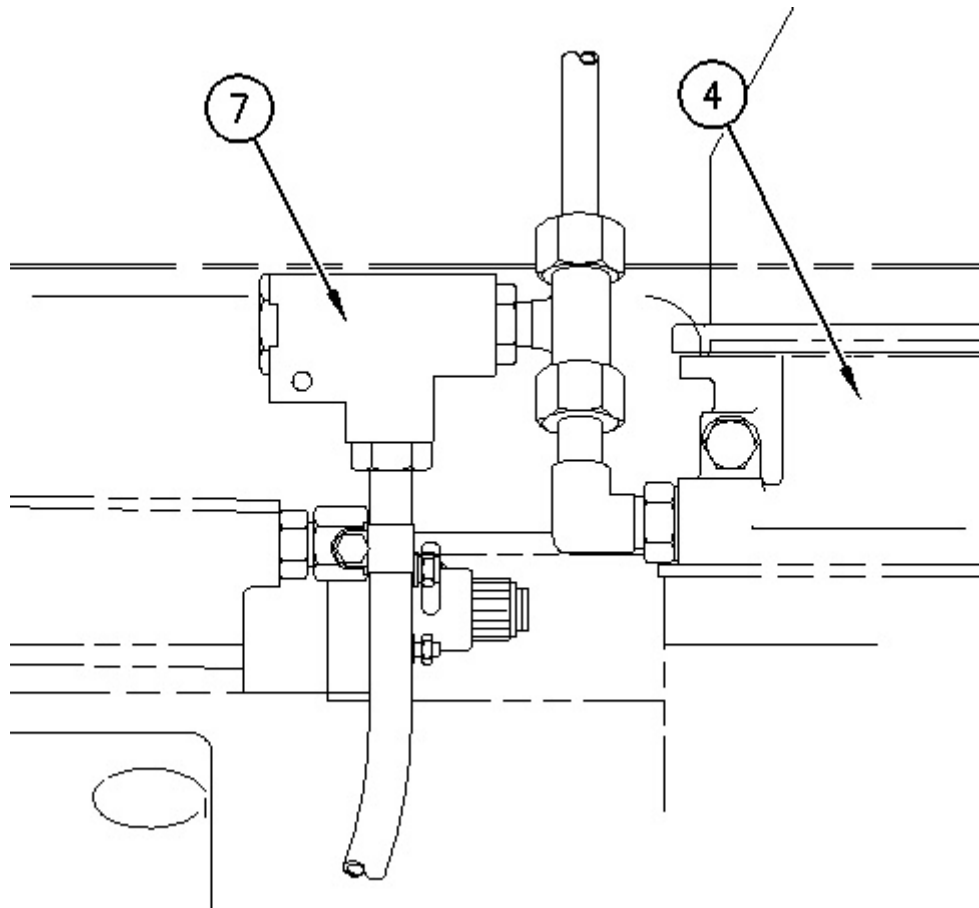


Illustration 3

g00629788

1. Install fuel pressure relief valve (7) on fuel filter base (4).

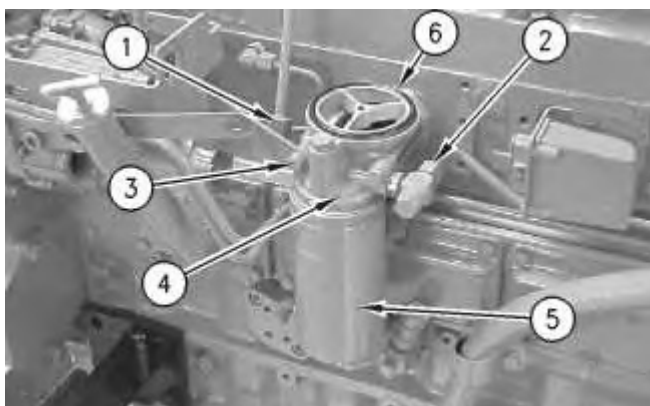


Illustration 4

g00629777

Typical example

2. Inspect the condition of the gasket. Replace the gasket, if necessary.
3. Position the gasket and fuel filter base (4) on the engine.
4. Install bolts (3) that secure fuel filter base (4) on the engine.
5. Connect tube assemblies (1) and (2) to fuel filter base (4).

Thank you so much for reading.
Please click the “Buy Now!”
button below to download the
complete manual.



After you pay.

You can download the most
perfect and complete manual in
the world immediately.

Our support email:

ebooklibonline@outlook.com