



Clutches assembly

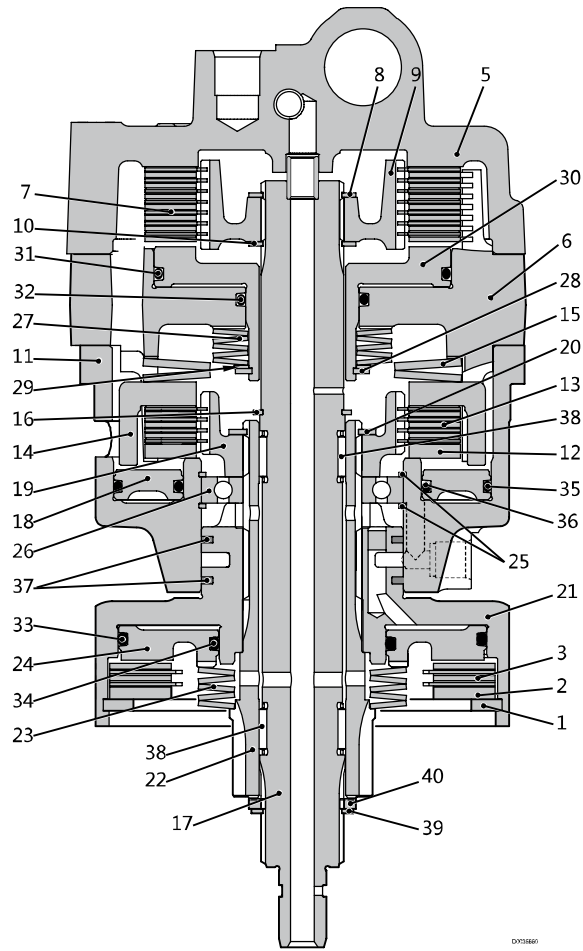
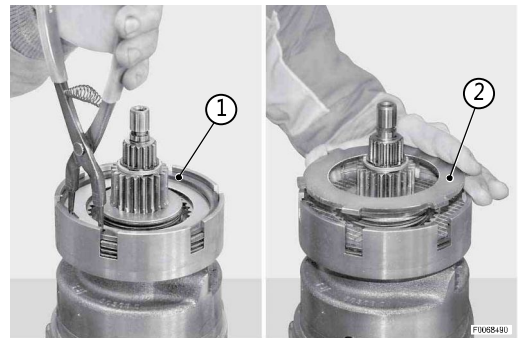


Fig. Clutches assembly

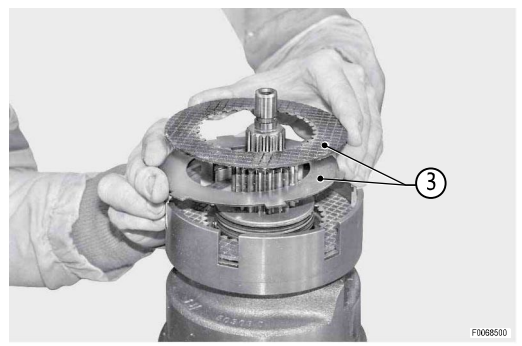
Disassembly

Remove circlip (1) and withdraw steel plate (2).



1.

Remove H range clutch pack (3).

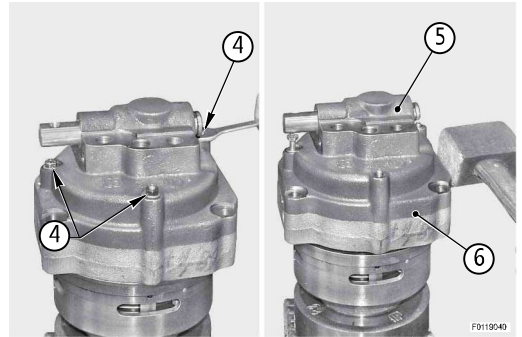


F008500



2.

Loosen nuts and screw (4) and, using a soft mallet, separate cover (5) and the "L" range clutch housing (6) from the rest of the assembly.

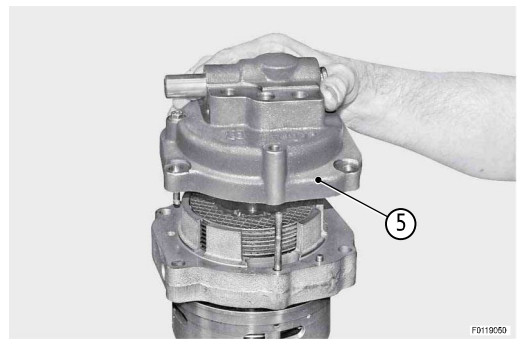


F0119040



3.

Remove nuts (4) and cover (5).

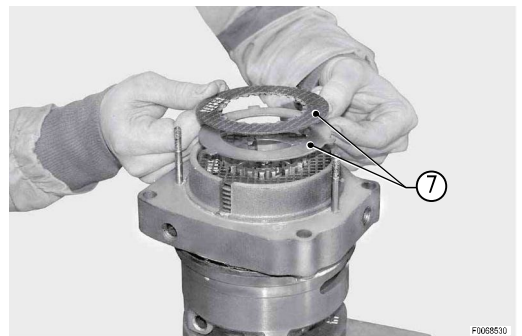


F0119050



4.

Remove "L" range clutch pack (7).

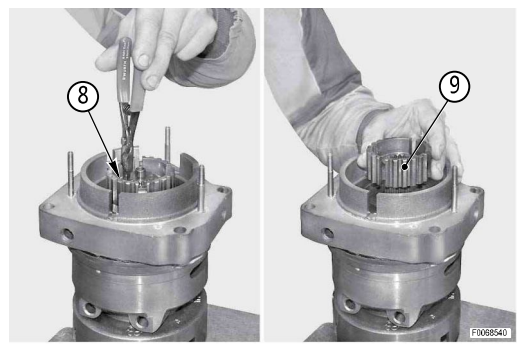


F008530



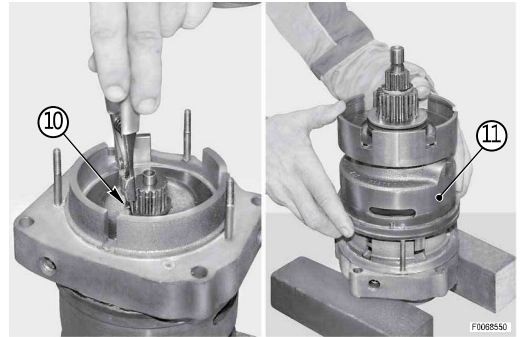
5.

Remove circlip (8) and withdraw hub (9).



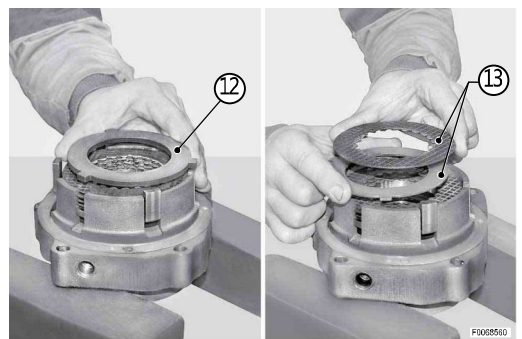
6.

Remove circlip (10), turn the assembly over and remove "M" range clutch housing (11).



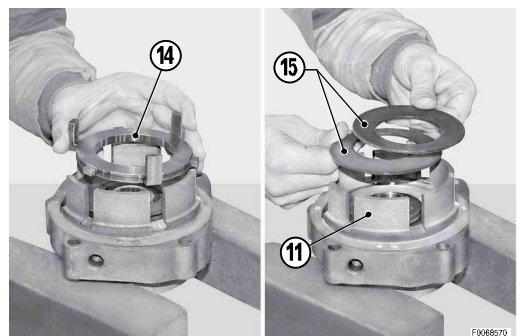
7.

Remove steel plate (12) and remove "M" range clutch pack (13).



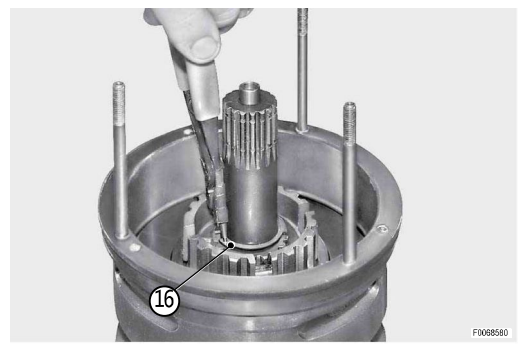
8.

Remove retaining plate (14) and Belleville springs (15) from "M" range clutch housing (11).



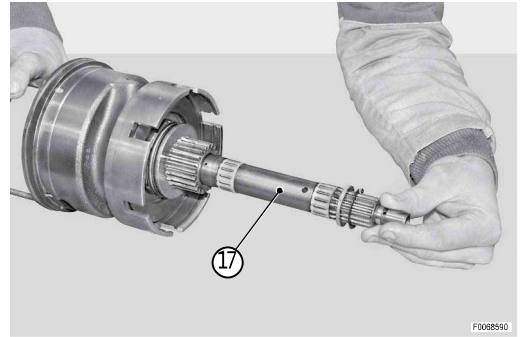
9.

Remove circlip (16).



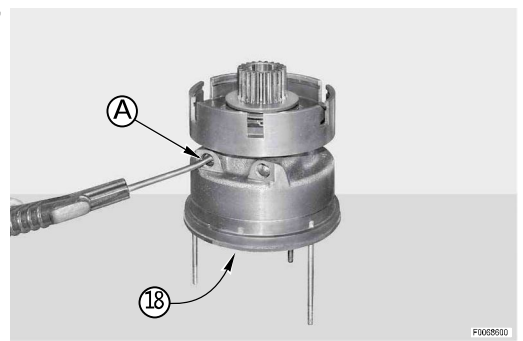
10.

Withdraw HML unit output shaft (17).



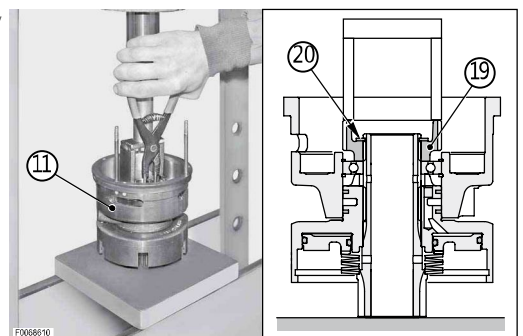
11.

Blow compressed air at low pressure through hole "A" to drive out the "M" range piston (18).



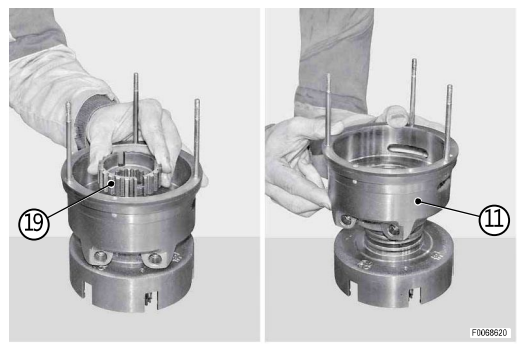
12.

Position clutch housing (11) under a press and, using a suitable tool, slightly compress sleeve (19) and remove circlip (20).



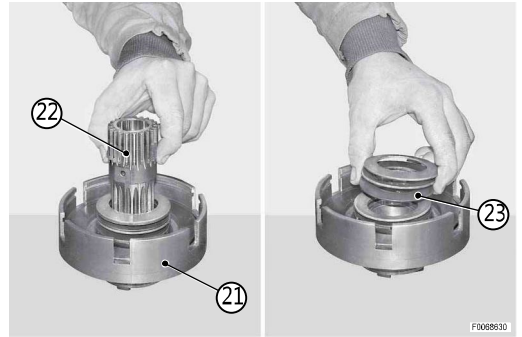
13.

Remove sleeve (19) and remove "M" range clutch housing (11).



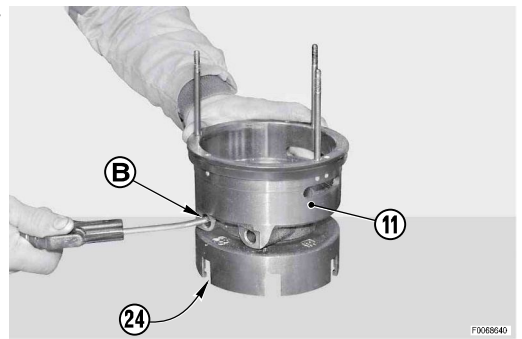
14.

Withdraw sleeve (22) and Belleville springs (23) from the "H" range clutch housing (21).



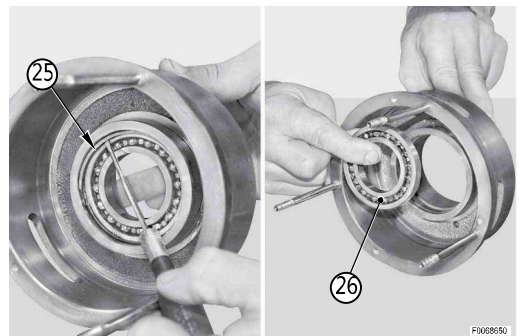
15.

Temporarily fit clutch housing (11) of the "M" range and blow compressed air at low pressure through hole "B" to expel piston (24) controlling the "H" range clutch.



16.

Remove circlip (25) and remove bearing (26).



17.

Position "L" range clutch housing (6) under a press and, using a suitable tool, slightly compress Belleville springs (27) and remove circlip (28).

Thank you so much for reading.
Please click the “Buy Now!”
button below to download the
complete manual.



After you pay.

You can download the most
perfect and complete manual in
the world immediately.

Our support email:

ebooklibonline@outlook.com