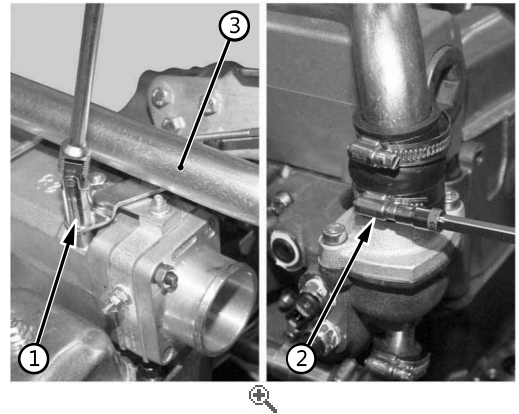




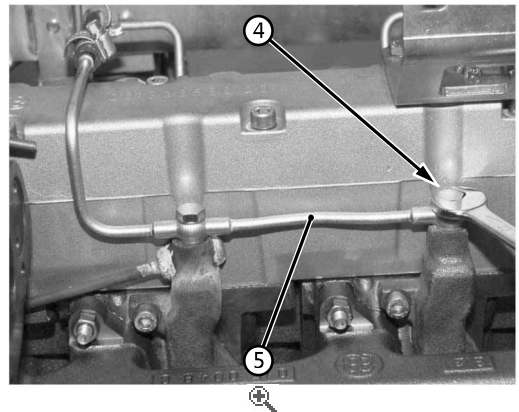
Cooling and intake ducts

Loosen screw (1) and clamp (2); remove radiator connection pipe (3).



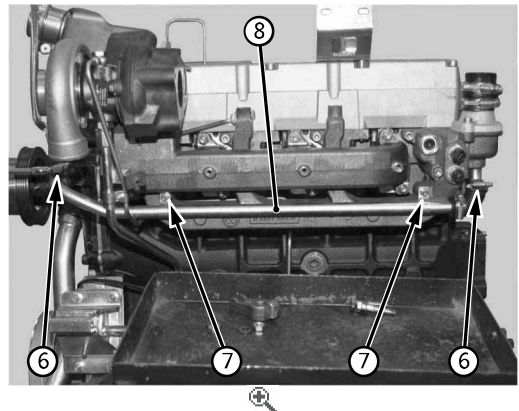
1.

Loosen and remove unions (4) and remove pipe (5).



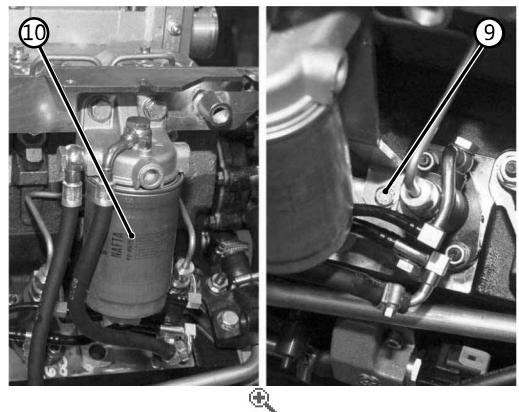
2.

Loosen clamps (6), undo screws (7) and remove pipe (8).



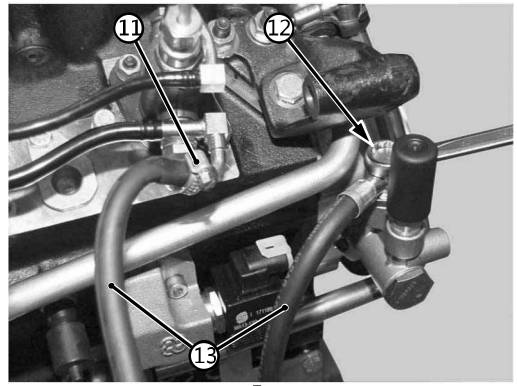
3.

Undo screw (9) and slide out fuel filter (10) and relative supporting bracket.



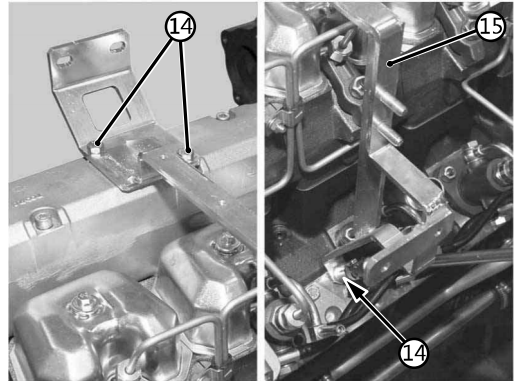
4.

Loosen clamp (11), undo union (12), disconnect pipes (13) and remove fuel filter (10) complete with supporting bracket.



5.

Undo screws (14) and remove blow-by support bracket (15).



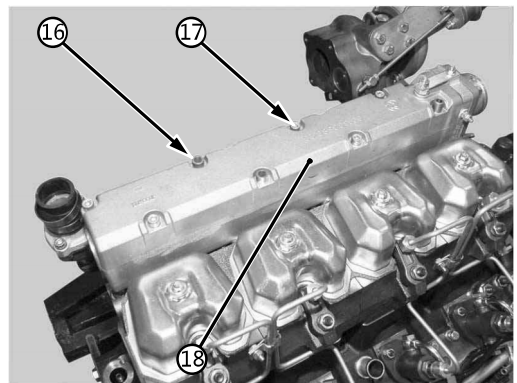
6.

Remove the three spacers (16) and undo the five fixing screws (17).
Remove intake manifold (18).



NOTE

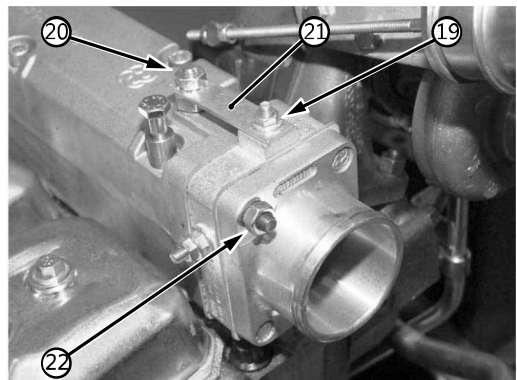
Renew the gaskets on reassembly.



7.

Heating element

Undo nut (19), loosen nut (20) and move bracket (21) aside.
Unscrew the two flange fixing nuts (22).



1.

Remove flange (23).

Thank you so much for reading.
Please click the “Buy Now!”
button below to download the
complete manual.



After you pay.

You can download the most
perfect and complete manual in
the world immediately.

Our support email:

ebooklibonline@outlook.com