

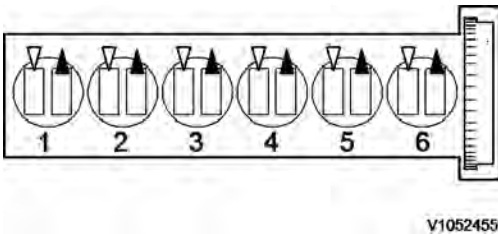
|   |                               |   |                           |
|---|-------------------------------|---|---------------------------|
| Document Title:<br><b>Engine, description</b> | Function Group:<br><b>200</b> | Information Type:<br><b>Service Information</b> | Date:<br><b>2014/7/16</b> |
| Profile:<br><b>ART, A35E, A35E FS [GB]</b>    |                               |   |                           |

## Engine, description

D12D is a straight six-cylinder, four-stroke, turbocharged diesel engine with direct injection and intercooler, as well as wet, replaceable cylinder liners. The engine is equipped to meet governing legislation according to Tier 3/stage IIIA for exhaust emissions.

D12D uses V-ACT (Volvo Advanced Combustion Technology) and gas split injection, optimized air handling, and turbocharger with wastegate. Electronically controlled IEGR (Internal Exhaust Gas Recirculation) lowers the content of NOX and reduces emissions without aftertreatment of exhausts. All electronic functions in the engine are controlled by Volvo's engine management system EMS2.

Cylinders are numbered in sequence beginning farthest from at the flywheel. Firing order: 1-5-3-6-2-4. The engine's rotational direction is counter-clockwise seen from the flywheel.



**Figure 1**  
**Cylinder orientation**

### Engine identification

#### Identification plate 1

Engine designation, serial number, part number and assembly plant are stamped in one field on the engine block's left rear edge

#### Identification plate 2

A decal with the software's ID-number, the engine's serial number and assembly plant is located on the valve cover to ensure installation of correct ECU on the engine in production. On the back of the ECU, there is a decal indicating its hardware number.

Assembly plants:

A = Skövde, Sweden

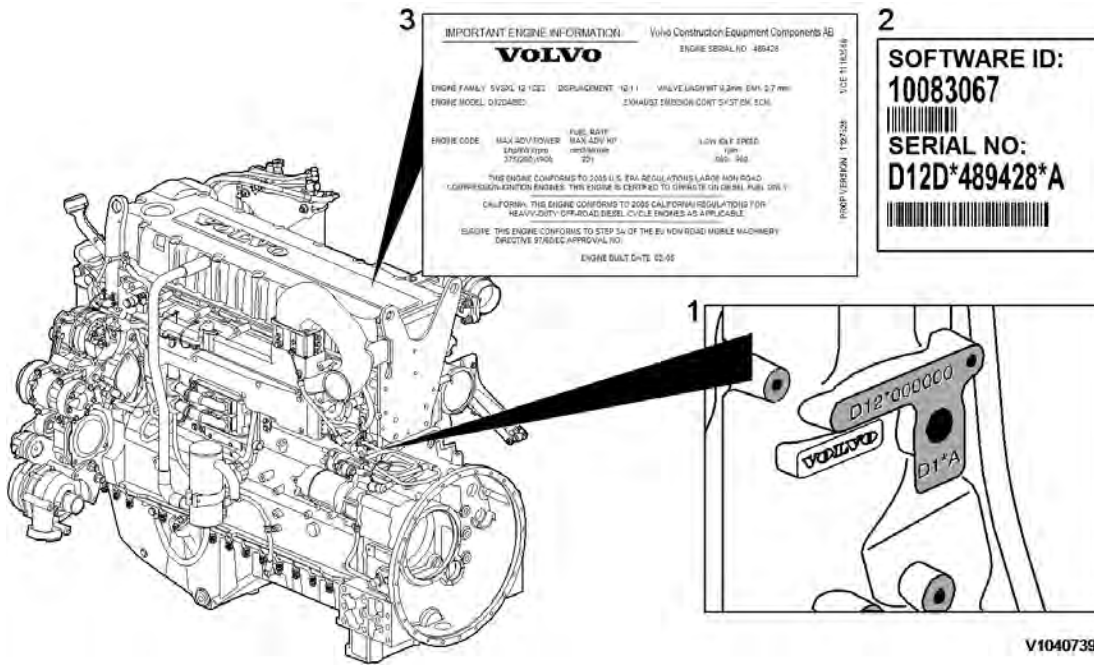
E = Curitiba, Brazil

F = Flen, Sweden

L = Lyon, France

#### Identification plate 3

The certification decal is located on the valve cover as well as on the machine frame.



**Figure 2**  
**Engine identification, D12D**

|   |                               |   |                           |
|---|-------------------------------|---|---------------------------|
| Document Title:<br><b>Engine Protection</b> | Function Group:<br><b>200</b> | Information Type:<br><b>Service Information</b> | Date:<br><b>2014/7/16</b> |
| Profile:<br><b>ART, A35E [GB]</b>           |                               |   |                           |

## Engine Protection

### Engine protection, function description

#### Introduction

The engine control unit contains functionality that is to protect the engine from damage and minimize repair costs for damages that may occur in the engine's different systems. The parameters that activate the engine's protection system are:

- Low oil pressure
- Increased oil temperature
- Increased coolant temperature
- Low coolant level
- Increased crankcase pressure
- Increased charge-air temperature
- Increased boost pressure
- EGR-system
- Failure of flywheel's speed (rpm) sensor
- Water in fuel

When the level of any of these parameters reaches the risk zone, different protective actions may be activated:

- Warnings
- Reduced torque (only in case of signal from sensors for EGR-system or in case of failure of the flywheel's speed (rpm) sensor)

For examples of levels where engine protection is activated and which limitations are activated, see [3012 12F2604, brake cooling oil, circulation](#) and [3012 1F2003, limitation engine protection \(EMS\)](#)

#### Warnings

There are several alarm levels for warnings. Yellow warning indicates a less serious malfunction or level, and red warning indicates that the engine must be turned off. For detailed description, see [387 Warning screens, general](#)

#### Reduced torque

The engine protection function can limit the torque to reduce damage and repair costs in case the operator does not notice that a warning has been activated. Limited torque is activated in two cases:

| Error                                    | Limitation |
|--|------------|
| EGR-system                               | 7 %        |
| Failure of flywheel's speed (rpm) sensor | 10 %       |

The limitation is active until the parameter has returned to a safe level or until EMS is powered down.

#### Degrees of engine protection

By using different programs (software) it is possible to set different degrees of engine protection. Regardless of what degree of engine protection that has been selected, the operator always receives a warning when there is a malfunction.

#### Oil pressure

Since it takes a little while for the oil pressure to build up, there is a delay after the engine has been started until the pressure measurement takes place. The oil pressure is dependent on the engine speed, and thus there is no fixed limit for when the oil pressure warning is activated. Instead the pressure is compared to the current engine rpm.

#### Coolant temperature

The coolant's boiling point is dependent on the ambient air pressure, that is, at which altitude the machine is operated,

which also decides at what temperature the warning is activated.

#### **Increased crankcase pressure**

The function measures and warns in case of increased crankcase pressure in a way that the pressure-increase value is obtained by comparing unfiltered and filtered crankcase pressure. The filter is designed so that a sudden pressure-increase gives a warning while a slowly increasing pressure, caused by normal wear, does not generate a warning.

#### **Water in fuel**

A sensor in the fuel system's pre-filter activates yellow warning when the water level becomes too high.

|  |                               |   |                           |
|--|-------------------------------|---|---------------------------|
| Document Title:<br><b>Engine, identification</b> | Function Group:<br><b>200</b> | Information Type:<br><b>Service Information</b> | Date:<br><b>2014/7/16</b> |
| Profile:<br><b>ART, A35E [GB]</b>                |                               |   |                           |

## Engine, identification

### Identification plate 1

Engine designation, serial number, part number and assembly plant are stamped in one field on the engine block's left rear edge

### Identification plate 2

A decal with the software's ID-number, the engine's serial number and assembly plant is located on the valve cover to ensure installation of correct ECU on the engine in production. On the back of the ECU, there is a decal indicating its hardware number.

Assembly plants:

A = Skövde, Sweden

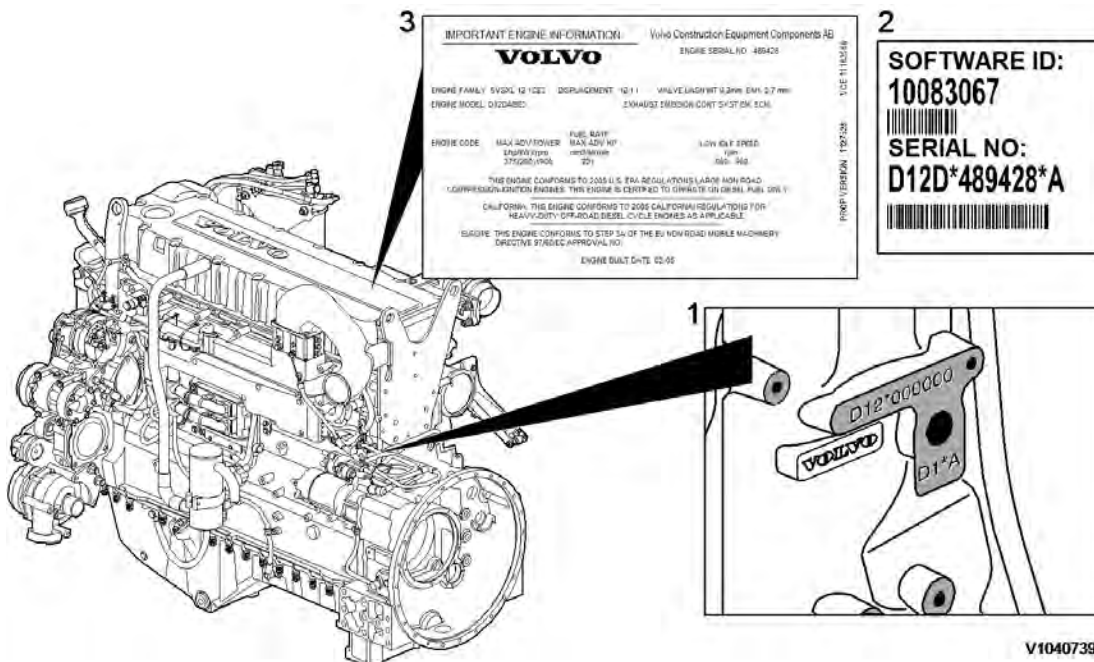
E = Curitiba, Brazil

F = Flen, Sweden

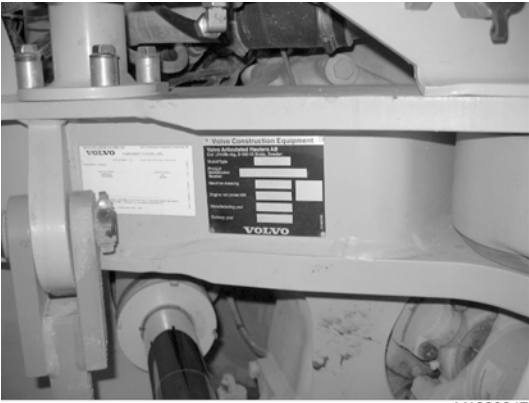
L = Lyon, France

### Identification plate 3

The certification decal is located on the valve cover as well as on the left side of the machine's front frame.



**Figure 1**  
**Engine identification, D12D**



V1063847

**Figure 2**  
**Certification decal**

|   |                               |   |                           |
|---|-------------------------------|---|---------------------------|
| Document Title:<br><b>E-ECU, MID 128, changing pre-programmed ECU</b> | Function Group:<br><b>200</b> | Information Type:<br><b>Service Information</b> | Date:<br><b>2014/7/16</b> |
| Profile:<br><b>ART, A35E [GB]</b>                                     |                               |   |                           |

## **E-ECU, MID 128, changing pre-programmed ECU**

### **Op nbr 200-070**

This operation also includes required tools and times for applicable parts of the following operations:

- [200 E-ECU, MID 128, changing non-programmed ECU](#)
  1. Connect VCADS Pro computer and perform 17030-3 Parameter, programming.
    - Use the function: Save all read parameters to job card.
  2. Perform [200 E-ECU, MID 128, changing non-programmed ECU](#) step 2–14.
  3. Connect VCADS Pro computer and perform 17030-3 Parameter, programming.
    - Program earlier read-out parameters according to the job card.

|   |                               |   |                           |
|---|-------------------------------|---|---------------------------|
| Document Title:<br><b>E-ECU, MID 128, changing non-programmed ECU</b> | Function Group:<br><b>200</b> | Information Type:<br><b>Service Information</b> | Date:<br><b>2014/7/16</b> |
| Profile:<br><b>ART, A35E [GB]</b>                                     |                               |   |                           |

## E-ECU, MID 128, changing non-programmed ECU

Op nbr 200-068

1. Connect VCADS Pro computer and perform 28423-3 MID 128 ECU, programming
  - When instructed to connect the new control unit, perform steps 2–15.

### Removing E-ECU

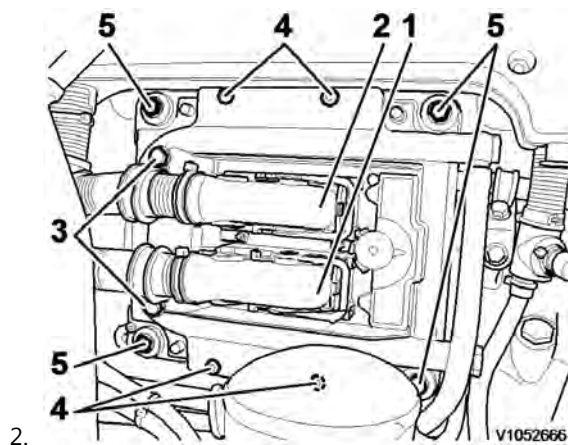
#### **CAUTION**

Always follow instructions according to Electrical system, work instructions, electronic components

[3001 Electrical system, special instructions for servicing, electronic components](#)

#### **CAUTION**

Always follow instructions according to Electrical system, work instructions, electronic components



**Figure 1**  
**E-ECU**

1. Connector EA
2. Connector EB
3. Screw for clamp
4. Screw for cooler
5. Screw for ECU

Place the machine in service position.

3. Open the engine hood.

#### **NOTICE**

Turn off the electric power with the battery disconnect switch before starting any work. Also remove the



**fuse for respective component.**

4. Remove the three screws (3) that disconnect the clamps from the E-ECU.
5. Unplug the connectors EA and EB from the E-ECU.
6. Remove the screws (4) (6 pcs.) that hold the cooler (3).
7. Remove the screws (5) (4 pcs.) that hold the E-ECU.
8. Carefully move aside the cooler and remove the E-ECU.

**NOTE!**

Work carefully so that hoses for the cooler are not damaged.

**Mounting E-ECU**

9. Lift in the E-ECU inside of the cooler.
10. Install the screws (5) (4 pcs.) that hold the E-ECU against the engine block.
11. Install the screws (4) (6 pcs.) that hold the cooler against the E-ECU.
12. Plug in the connectors EA and EB for the E-ECU.
13. Install the screws (3 pcs.) that hold the clamps against the E-ECU.
14. Close the engine hood.

**NOTE!**

When changing pre-programmed ECU, return to [200 E-ECU, MID 128, changing pre-programmed ECU](#) step 3.

15. Finish VCADS Pro operation 28423-3 MID 128 ECU, programming.

|   |                               |   |                           |
|---|-------------------------------|---|---------------------------|
| Document Title:<br><b>Cylinder compression, PC test</b> | Function Group:<br><b>210</b> | Information Type:<br><b>Service Information</b> | Date:<br><b>2014/7/16</b> |
| Profile:<br><b>ART, A35E [GB]</b>                       |                               |   |                           |

## **Cylinder compression, PC test**

Connect the VCADS Pro computer and carry out 21006-3 Cylinder compression, test.

(21006-3) This test indicates if there is any deviation in compression in any cylinder in relation to the other cylinders.

|  |                               |   |                           |
|--|-------------------------------|---|---------------------------|
| Document Title:<br><b>Compression test</b> | Function Group:<br><b>210</b> | Information Type:<br><b>Service Information</b> | Date:<br><b>2014/7/16</b> |
| Profile:<br><b>ART, A35E [GB]</b>          |                               |   |                           |

## Compression test

### Op nbr 210-002

[9990185 Lifting tool](#)

[9998248 Adapter](#)

[88880003 Bracket](#)

[9998248 Adapter](#)

[9998248 Adapter](#)

[9998248 Adapter](#)

[9998248 Adapter](#)

[9998248 Adapter](#)

[9998665 Adapter](#)

[9988539 Pressure gauge](#)

[9990006 Puller](#)

[9990262 Adapter](#)

[9996400 Impact puller](#)

[9998599 Cleaning tool](#)

[88820003 Setting tool](#)

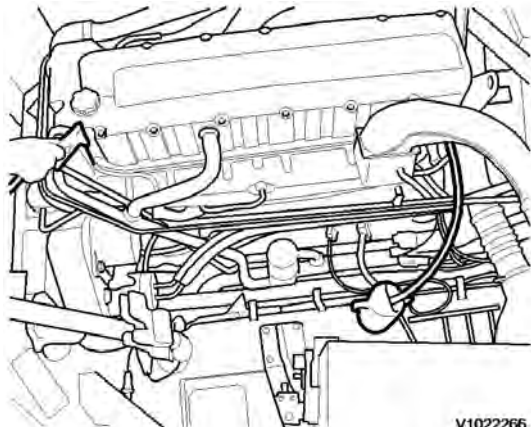
[9993590 Gear wheel](#)

This operation also includes the tools and times needed for required parts of the following actions:

- [214 Valves, adjusting](#)
- [233 Fuel system, bleeding](#)

### Dismantling

1. Place the machine in service position.
2. Pump up the engine hood.
3. Drain the cylinder head to avoid fuel in the engine oil. Loosen and plug the hose connection in the engine's trailing edge. Loosen the feed hose and lead it into a container. Since the feed pump will pump out fuel during the test, the container's volume must be at least **5 litres (1.3 US gal)**.



V1022266

**Figure 1**

## V1022266

4. Open the bleeder nipple on the cylinder head's leading edge and use an air nozzle in the fuel's inlet channel to lead out the fuel.

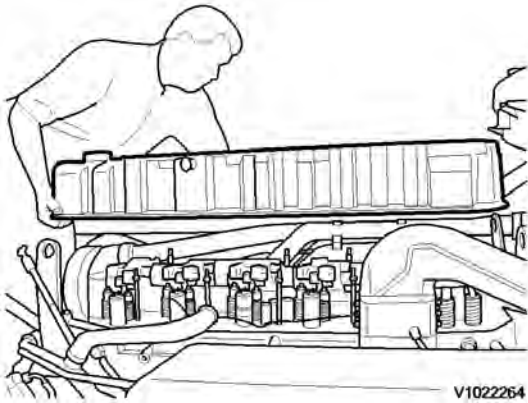
### NOTE!

Collect the excess fuel in a container.

5. Remove the hose from the oil trap and remove the valve cover.

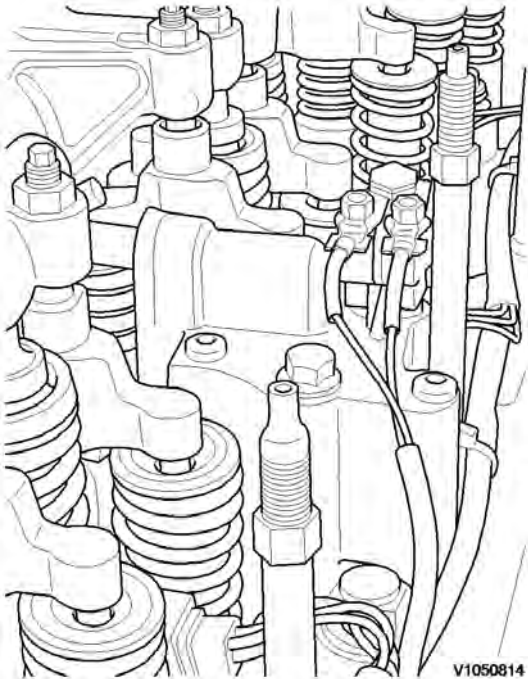
### NOTE!

Do not use a nut runner since the studs bolts may come loose from the cylinder head and damage electrical cables and valve cover.



**Figure 2**  
**V1022264**

6. Remove the unit injectors' electrical connections.
7. Remove the IEGR control valve's electrical connections and wipe clean around the control valve.
8. Remove the valve cover's stud bolt located in front of the IEGR control valve.

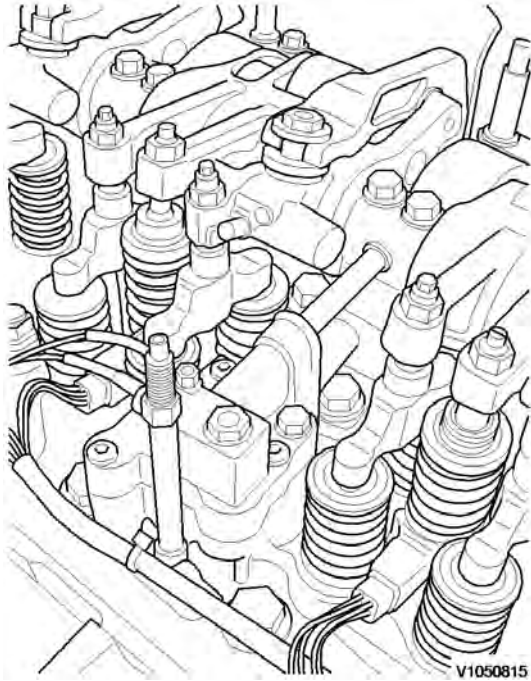


**Figure 3**

Stud bolt

9. Remove the bolts for the IEGR control valve. Remove the control valve and the pipe between the valve and the

rocker arm shaft.



**Figure 4**  
**V1050815**

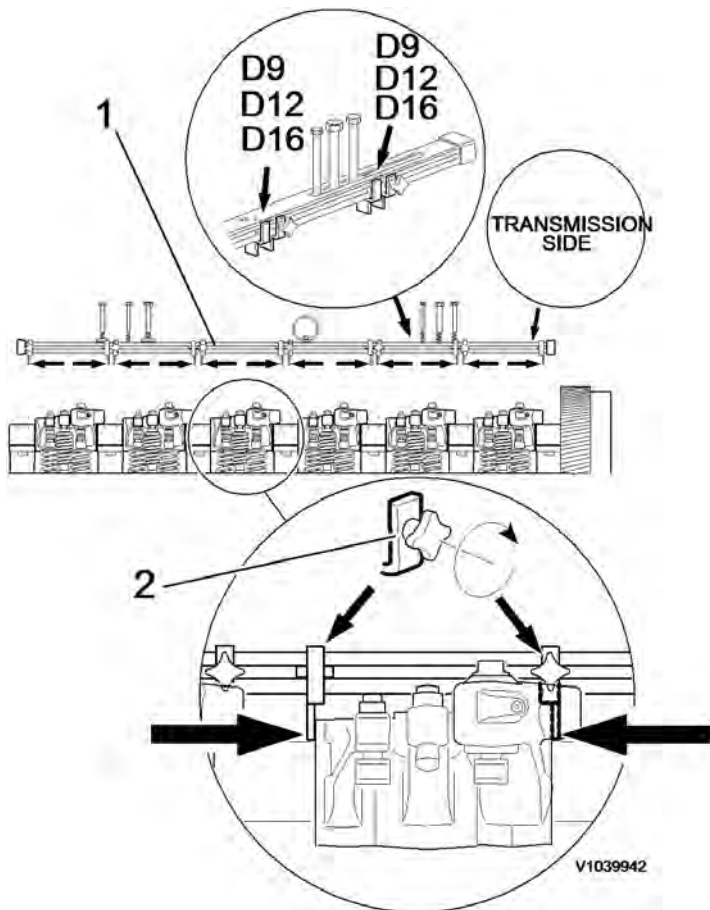
10. Loosen the bolts for the rocker arm bridge equally in sequences, so that the rocker arm shaft is not bent. Remove the bolts and carefully lift away the rocker arm bridge with 9990185 and 88880003.

**NOTE!**

For engines with VEB: fixate the pistons in the rocker arms with rubber bands or similar so that the pistons do not fall out.

**NOTE!**

Pistons and rocker arms are classed as units. Marking (one, two, or three dots) must match.



**Figure 5**

11. **NOTE!**

Clean very thoroughly around the unit injectors.

Remove the bolts for the unit injectors' attaching yoke. Remove the unit injector with 9996400 Impact puller9990262 Adapter9990006 Puller.

**NOTE!**

Place each injector in separate new plastic bags. Mark which cylinder they were installed in. It is important to not mix up the injectors since they are classed for a certain cylinder.

**Buy Now**



Our support email:

[ebooklibonline@outlook.com](mailto:ebooklibonline@outlook.com)