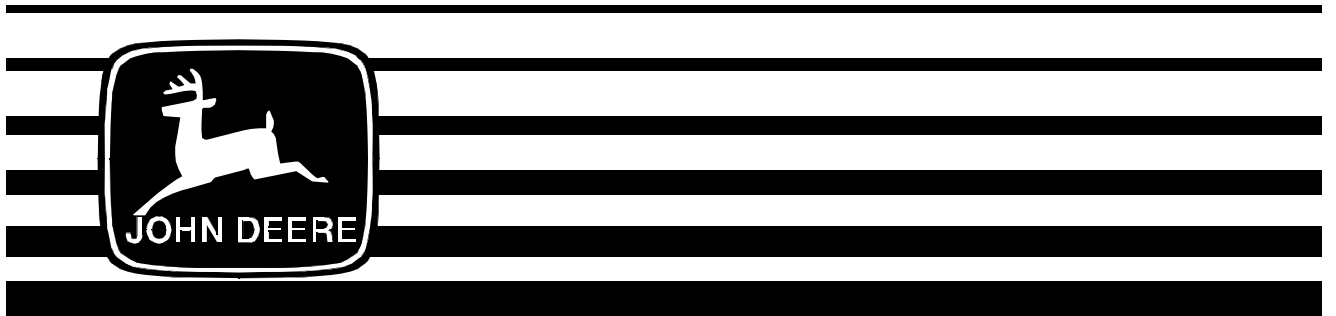


48, 54, and 60-Inch Side Discharge Mowers for ZTRAK Front Mowers

Serial No. (010001-)



OPERATOR'S MANUAL

John Deere
Worldwide Commercial And
Consumer Equipment Division
OMM137692 E8

North American Version
Litho in U.S.A.
English

INTRODUCTION

THANK YOU for purchasing a John Deere product.

Read this manual and your Front Mower manual thoroughly. Failure to do so could result in personal injury or equipment damage.

This manual should be considered a permanent part of your machine and should remain with the machine when you sell it.

Measurements in this manual are metric units and their U.S. customary equivalents. RIGHT-HAND and LEFT-HAND sides are determined by facing in the direction the machine will travel when going forward. When you see a broken line arrow, it indicates the part it is pointing to is hidden.

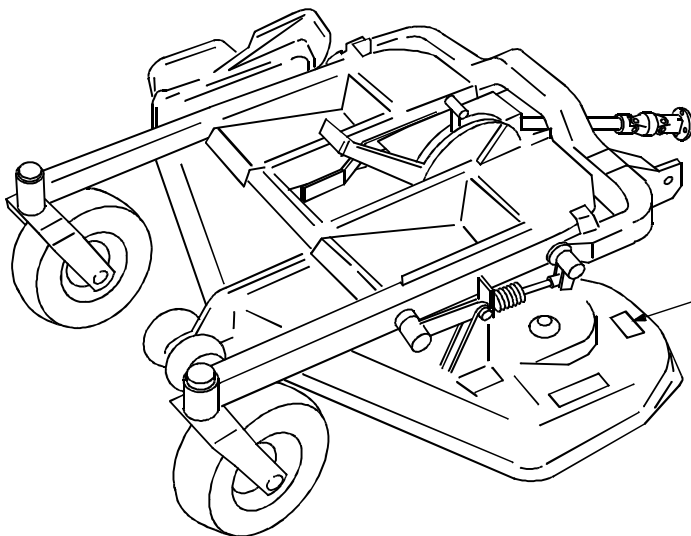
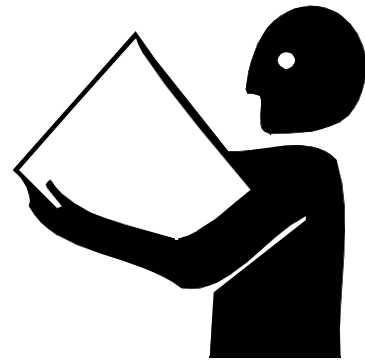
Product warranty is provided as part of John Deere's support program for customers who operate and maintain their equipment as described in this manual. The product warranty is explained on the warranty certificate you received from your dealer.

Record identification numbers below. Be sure to record all the numbers to help in tracing the machine if it is stolen. You also need to give these numbers to your dealer when you order parts.

DATE OF PURCHASE:

DEALER NAME:

DEALER PHONE:



Mower Deck Serial Number:

--	--	--	--	--	--	--	--	--	--	--	--	--	--	--	--	--	--	--	--

TABLE OF CONTENTS

Safety Signs	1
Controls	4
Installing The Mower.	5
Removing The Mower.	8
Operating Mower	10
Replacement Parts	22
Service Machine Safely	23
Service Mower	24
Troubleshooting	67
Storing Machine	68
Assembly	69
Specifications	75
Index.	84
John Deere Service Literature	87

All information, illustrations and specifications in this manual are based on the latest information at the time of publication. The right is reserved to make changes at any time without notice.

COPYRIGHT© 1998
John Deere Horicon Works
All rights reserved

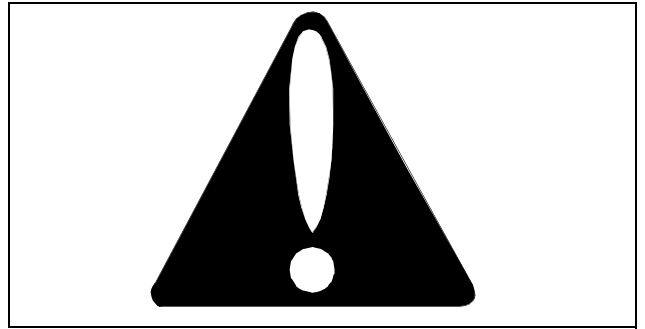
SAFETY SIGNS

Safety-Alert Symbol

Read and recognize safety information. Be alert to the potential for personal injury when you see this safety-alert symbol.

On your machine safety labels, the words DANGER, WARNING, and CAUTION are used with this safety-alert symbol. DANGER identifies the most serious hazards. In this manual, the word CAUTION and this symbol call attention to safety messages.

Keep safety signs in good condition. You can buy safety signs from your John Deere dealer.



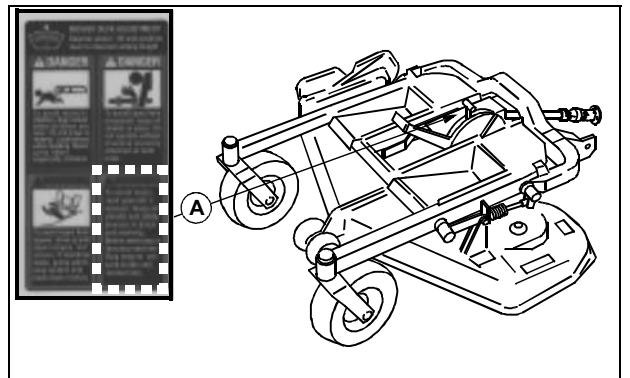
Machine Safety Labels

Warning—Read Operators Manual (A)

To avoid injury, read the operator's manual. Keep all shields and safety devices in place and working.

Before servicing or leaving the machine:

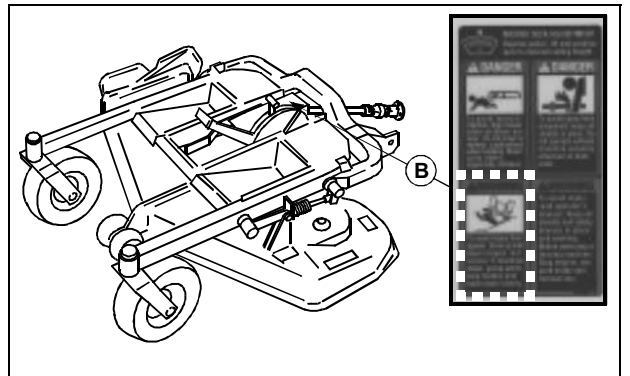
- Stop engine.
- Set park brake.
- Remove key.



Warning—Avoid Injury From Tipping (B)

To avoid injury from tipover, drive across slopes, not up and down.

If machine stops going uphill, stop blades and back down slowly.

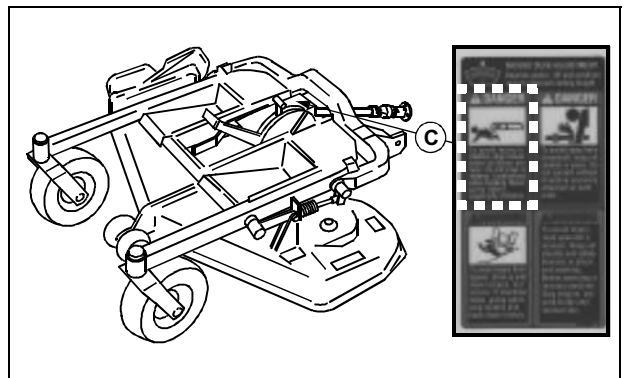


Danger—Avoid Injury to Children (C)

To avoid injury to children, stop mower when children are near.

DO NOT mow in reverse. Look behind when backing.

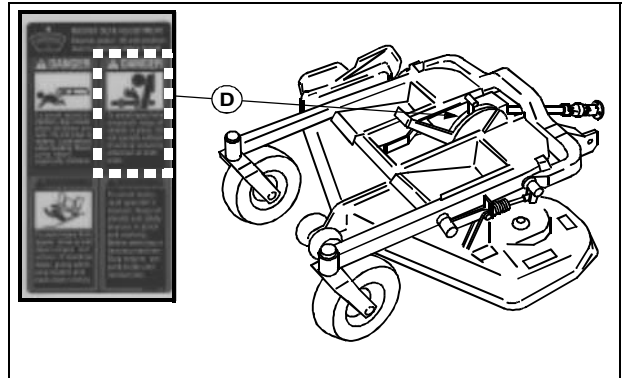
Never carry riders, especially children.



SAFETY SIGNS

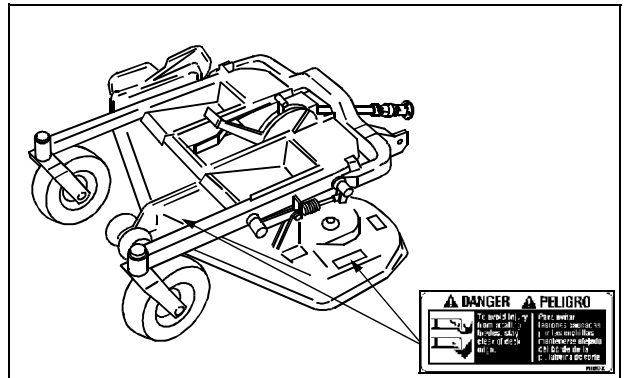
Danger—Avoid Injury From Rotating Driveline (D)

To avoid injury from driveshaft, keep all shields in place. DO NOT operate without driveline securely attached at both ends.



Danger—Avoid Injury From Rotating Blades

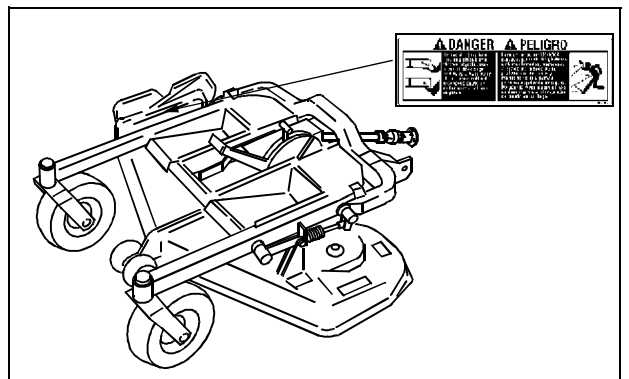
To avoid injury from rotating blades, stay clear of deck edge.



Danger—Avoid Injury From Thrown Objects

To avoid injury from rotating blades and thrown objects, stay clear of deck edge and keep others away.

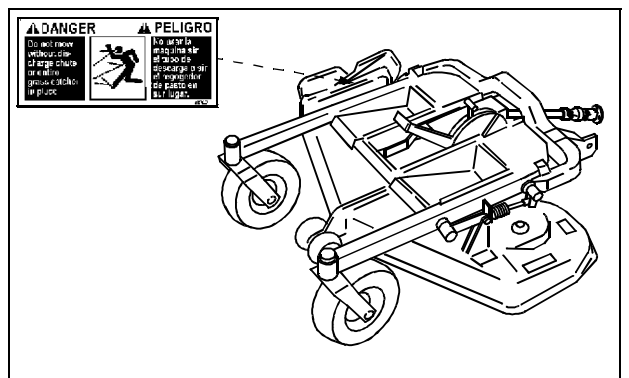
DO NOT mow without discharge chute or entire grass catcher in place.



Danger—Avoid Injury From Thrown Objects

DO NOT mow without discharge chute or entire grass catcher in place.

NOTE: This safety label will appear on the mower deck under the discharge chute on the 60-Inch deck only.



Thank you so much for reading.
Please click the “Buy Now!”
button below to download the
complete manual.



After you pay.

You can download the most
perfect and complete manual in
the world immediately.

Our support email:

ebooklibonline@outlook.com