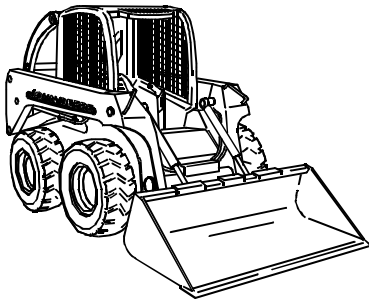


Hydraulic Trencher TR36, TR48, and TR60 for 240, 250, 260, 270 and 4475, 5575, 6675, 7775, 8875 Skid Steers

(Serial No. 100100 –)



OPERATOR'S MANUAL

John Deere
Commercial Worksite Products

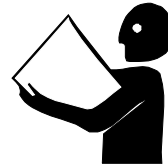
OMKV16794 I9

North American Version
Litho in U.S.A
English

INTRODUCTION

THANK YOU for purchasing a John Deere product.

Read this manual and your vehicle manual thoroughly. Failure to do so could result in personal injury or equipment damage.



This manual should be considered a permanent part of your attachment and should remain with the attachment when you sell it.

Measurements in this manual are metric units and their U.S. customary equivalents. RIGHT-HAND and LEFT-HAND sides are determined by facing in the direction the machine will travel when going forward. When you see a broken line arrow (----->), it indicates the part it is pointing to is hidden.

Product warranty is provided as part of John Deere's support program for customers who operate and maintain their equipment as described in this manual. The product warranty is explained on the warranty certificate you received from your dealer.

Record identification numbers below. Be sure to record all the numbers to help in tracing the attachment if it is stolen. You also need to give these numbers to your authorized John Deere skid steer dealer when you order parts.

DATE OF PURCHASE:

DEALER NAME:

DEALER PHONE:

SERIAL NUMBER (A):

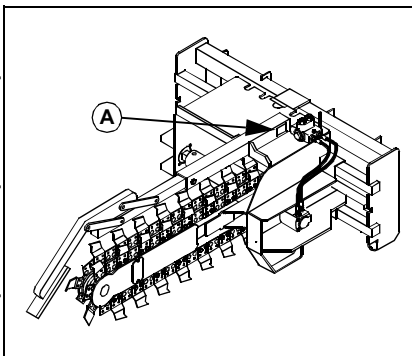


TABLE OF CONTENTS

	Page
Safety Signs	1
Preparing the Vehicle	2
Installing	3
Removing	8
Operating	10
Service Machine Safely	20
Service Interval Chart	23
Service	24
Troubleshooting	28
Storing Machine	29
Assembly	30
Specifications	32
Warranty	34
Index	35
John Deere Service Literature	38

All information, illustrations and specifications in this manual are based on the latest information at the time of publication. The right is reserved to make changes at any time without notice.

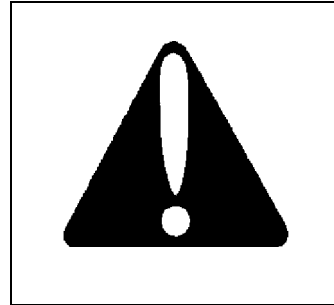
COPYRIGHT© 1999
John Deere Commercial Worksite Products
Knoxville, Tennessee

SAFETY SIGNS

Safety-Alert Symbol

Read and recognize safety information. Be alert to the potential for personal injury when you see this safety-alert symbol.

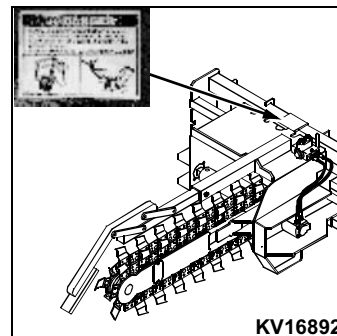
On your attachment safety labels, the words DANGER, WARNING, and CAUTION are used with this safety-alert symbol. DANGER identifies the most serious hazards. In this manual, the word CAUTION and this symbol call attention to safety messages.



Attachment Safety Labels

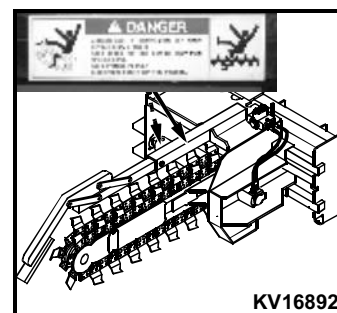
DANGER: Avoid Injury or Death

- Read and understand operator's manual before operating or servicing machine.
- Know location of underground utilities before digging.
- Keep bystanders 6 m (20 ft.) away from attachment.



DANGER: Rotating Part Hazard

- Entanglement in rotating parts can cause serious injury or death.
- Keep hands, feet, and clothing away from rotating parts.
- Keep bystanders away.
- Stop engine before servicing machine.



PREPARING THE VEHICLE

Skid Steer Equipment Requirements

Model 4475 skid steers also require boom hydraulics and hand control handle kits for trencher operation. If your unit is not equipped with this equipment, see your authorized John Deere skid steer dealer.

Worksite Pro™ Trencher TR60 Only:

The skid steer must be equipped with High-Flow Hydraulics.

Ballasting for All Models:

Rear ballast is not required to operate the trencher, but will enhance vehicle stability. Ballasting kits are available at your authorized John Deere skid steer dealer.

Thank you so much for reading.
Please click the “Buy Now!”
button below to download the
complete manual.



After you pay.

You can download the most
perfect and complete manual in
the world immediately.

Our support email:

ebooklibonline@outlook.com