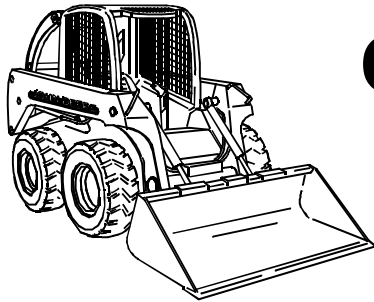


Power Rake PR72, PR72S, and PR96 for 240, 250, 260, 270 and 4475, 5575, 6675, 7775, 8875 Skid Steers

(Serial No. 100100 –)



OPERATOR'S MANUAL

John Deere
Commercial Worksite Products

OMKV16793 D0

North American Version
Litho in U.S.A
English

INTRODUCTION

THANK YOU for purchasing a John Deere product.

Read this manual and your vehicle manual thoroughly. Failure to do so could result in personal injury or equipment damage.



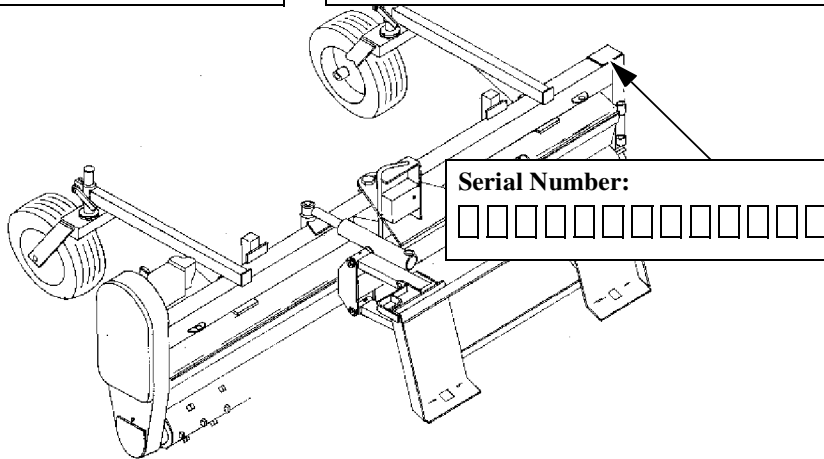
This manual should be considered a permanent part of your attachment and should remain with the attachment when you sell it.

Measurements in this manual are metric units and their U.S. customary equivalents. RIGHT-HAND and LEFT-HAND sides are determined by facing in the direction the machine will travel when going forward. When you see a broken line arrow (- - - - - ►) it indicates the part it is pointing to is hidden.

Record identification numbers below. Be sure to record all the numbers to help in tracing the machine if it is stolen. You also need to give these numbers to your dealer when you order parts.

Date of Purchase:

Dealer Name: _____ **Phone:** _____



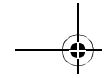
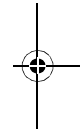
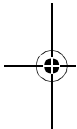


TABLE OF CONTENTS

	Page
Safety Signs	1
Controls	4
Installing	5
Removing	10
Operating	12
Service Machine Safely	24
Service Interval Chart	27
Service	28
Troubleshooting	32
Storing Machine	33
Assembly	34
Specifications	39
Warranty	46
Index	47
John Deere Service Literature	54



All information, illustrations and specifications in this manual are based on the latest information at the time of publication. The right is reserved to make changes at any time without notice.

COPYRIGHT© 2000
John Deere Commercial Worksite Products
Knoxville, Tennessee
All rights reserved
Previous Editions
COPYRIGHT© 1999

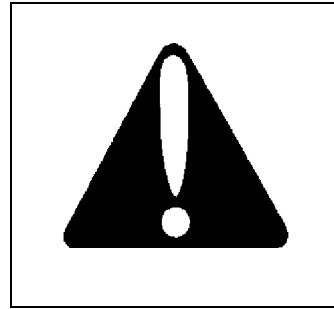


SAFETY SIGNS

Safety-Alert Symbol

Read and recognize safety information. Be alert to the potential for personal injury when you see this safety-alert symbol.

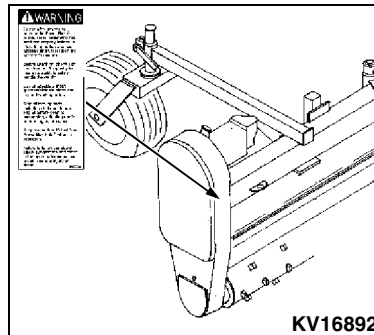
On your attachment safety labels, the words DANGER, WARNING, and CAUTION are used with this safety-alert symbol. DANGER identifies the most serious hazards. In this manual, the word CAUTION and this symbol call attention to safety messages.



Attachment Safety Labels

WARNING: Avoid Injury or Death

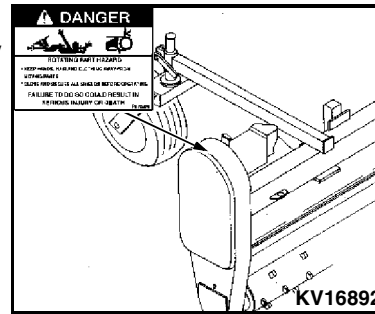
- Do not allow anyone to operate the Power Rake or skid steer who has not been properly trained in its safe operation and has not read and understood the operator's manual.
- Before attaching, check skid steer lift capacity to ensure its ability to safely handle the weight.
- Do not operate without guards/shields in place, and in good working order.
- Stop all moving parts including skid steer engine before cleaning, unplugging, adjusting and/or performing maintenance.
- Keep bystanders 10 feet from Power Rake when in operation.
- Failure to follow the above safety suggestions and those in the operator's manual can result in serious injury or death.



SAFETY SIGNS

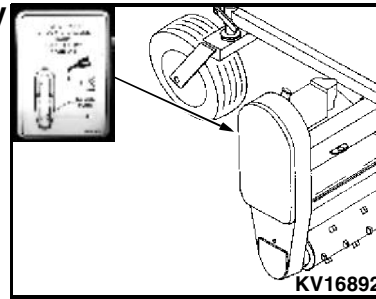
DANGER: Rotating Part Hazard

- Keep hands, hair and clothing away from moving parts.
- Close and secure all shields before operating.
- Failure to do so could result in serious injury or death.



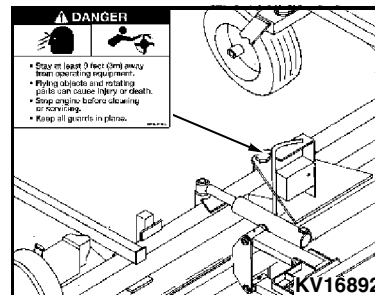
IMPORTANT: Check Oil Level Daily

- Use GL5 Gear Lubricant 85W140 gear oil.



DANGER: Flying Parts and Rotating Parts

- Stay at least 3 m (10 ft.) away from operating equipment.
- Flying objects and rotating parts can cause injury or death.
- Stop engine before cleaning or servicing.
- Keep all guards in place.



Thank you so much for reading.
Please click the “Buy Now!”
button below to download the
complete manual.



After you pay.

You can download the most
perfect and complete manual in
the world immediately.

Our support email:

ebooklibonline@outlook.com