

**7000 DRAWN
6-ROW WIDE, 8-ROW
WIDE AND NARROW
AND 12-ROW NARROW
MAX-EMERGE™ PLANTERS**



OPERATORS MANUAL

7000 DRAWN 6-ROW WIDE, 8-ROW WIDE AND
NARROW AND 12-ROW NARROW
MAX-EMERGE™ PLANTERS

OMA37309 F8 English

OMA37309 F8

LITHO IN THE U.S.A.
ENGLISH





To the Purchaser


This new planter was carefully designed and manufactured to give years of dependable service. To keep it running efficiently, read the instructions in this operator's manual. Each section is clearly identified so you can easily find the information you need - whether it is operation, lubrication, or service. Read the Table of Contents to learn where each section is located. Use the alphabetical index for fast reference.

In addition to the equipment furnished with your planter, attachments are available to help you do a better job in special crop conditions. These are described in the Attachment section of this manual and can be purchased from your John Deere dealer.

"Right-hand" and "left-hand" sides are determined by facing in the direction the planter will travel when in use.

Record your planter serial numbers in the space provided on page 154. Your dealer needs this information to give you prompt, efficient service when you order parts or attachments. If your planter requires replacement parts, go to your John Deere dealer where you can obtain genuine John Deere parts - accept no substitutes.

The warranty on this planter appears on your copy of the purchase order which you should have received from your dealer when you purchased the planter.

 This safety alert symbol identifies important safety messages in this manual. When you see this symbol, be alert to the possibility of personal injury and carefully read the message that follows.

Because John Deere sells its products world-wide, U.S. units of measure are shown with their respective Metric equivalents throughout this operator's manual. These equivalents are the SI (International System) Units of Measure.

7000 DRAWN 6-ROW WIDE, 8-ROW NARROW, 8-ROW WIDE AND 12-ROW NARROW MAX-EMERGE PLANTERS

TO THE DEALER

Predelivery service is the service John Deere recommends that a dealer perform on a planter before delivering it to a customer. This includes assembly, lubrication, adjustment and test. The service assures that the planter will be delivered in good condition to the customer and that the customer will be fully satisfied with its performance right from the start.

The John Deere Delivery Receipt, when properly filled out and signed by the dealer and customer verifies that the predelivery and delivery services were satisfactorily performed. When delivering this planter, give the customer a copy of the delivery receipt and the operator's manual. Explain their purpose.

Be certain to retain your copy of the **packing list** for shipping bundle information.

PREDELIVERY CHECK LIST

After the planter has been completely assembled, inspect it to be sure it is in good running order before delivering it to the customer. The following check list is a reminder of points to inspect. Check off each item as it is found satisfactory or after proper adjustment is made.

- Attach planting units and attachments desired by customer.
- Be sure all grease fittings are in place and lubricated.
- Run in planter and make sure all working parts are moving freely, bolts are tight, and cotter pins are spread.
- Inflate tires to 40 psi (2.8 bar) (2.8 kg/cm²) of air pressure.
- Adjust planter to row width desired by customer.
- Paint all parts scratched in shipment.
- This planter has been thoroughly checked and to the best of my knowledge is ready for delivery to the customer.

(Date Set Up)

(Signature of Set-Up Person)

OWNER REGISTER

Name _____

Post Office _____

County _____ State _____

Model _____

Serial No. _____

Date Sold _____

DELIVERY CHECK LIST

At time planter is delivered, the following check list is a reminder of very important information which should be conveyed directly to the customer. Check off each item as it is fully explained to the customer.

- Because some fertilizers readily accumulate moisture and are quick to cause metal to corrode, advise the customer to thoroughly clean inside of fertilizer hoppers and spouts each day after using planter.
- Advise the customer that the life expectancy of this or any other machine is dependent on regular lubrication as directed in the operator's manual.
- Tell the customer about all the safety precautions that must be observed while using this planter.
- When the planter is transported on a road or highway at night or during the day, accessory lights and devices should be used for adequate warning to the operators of other vehicles. In this regard, tell customer to check local governmental regulations.
- Give the operator's manual to the customer and explain all operating adjustments.
- To the best of my knowledge this machine has been delivered ready for field use and customer has been fully informed as to proper care and operation.

(Date Delivered)

(Signature of Delivery Person)



Contents

Page	
2	Safety Suggestions
3-4	Identification Views
5-9	Preparing for Use
10-12	Attaching and Detaching
13-15	Transporting
16-61	Operating Adjustments
62-86	Attachments
87-89	Lubrication
90-107	Service
108-111	Trouble Shooting
112-179	Assembly
180-183	Specifications
184-187	Index



Safety Suggestions

GENERAL

2



The safety of the operator was one of the prime considerations in the minds of John Deere engineers when this planter was designed. Shielding, simple adjustments, and other safety features were built into the planter wherever possible.

You can make your farm a safer place to live and work if you observe the safety suggestions given. Study these suggestions carefully and insist that they be followed by those working with you and for you.

Finally, remember this: An accident is usually caused by someone's carelessness, neglect, or oversight.

TRANSPORTING

Always transport the planter on a trailer or an implement carrier such as the John Deere 201 Implement Carrier. (Road transport)

Stand clear of disk blade when raising or securing marker.

When transporting planter on a smooth surface, do not exceed maximum tractor transport speed. Reduce speed considerably when traveling over rough ground.

When transporting the planter on a road or highway at night or during the day, use accessory lights and devices for adequate warning to operators of other vehicles. In this regard, check local governmental regulations. Various safety lights and devices are available from your John Deere dealer.

SERVICE

Always lower the planter to the ground when not in use. Whenever possible, perform service work and adjustments with the planter on the ground.

Never clean, lubricate, or adjust a machine that is in motion.

OPERATION

Be careful when operating the planter to avoid injury to the operator or assistants.

If the planter must be in a raised position while working on or near it, be certain service locks are installed.

Permit only one person, the operator, on the tractor platform while tractor and planter are in operation.

Never ride or permit others to ride on the drawbar of the tractor or on the planter.

Be careful when operating on hillsides because the tractor may tip sideways if it strikes a hole, ditch, or other irregularity.

When using the auger fill attachment:

1. Keep all shields in place.
2. Disengage and shut off all engine and/or motor power before servicing or unclogging machine.
3. Keep hands, feet, and clothing away from power driven parts.

HYDRAULIC OIL

Escaping hydraulic oil under pressure can have sufficient force to penetrate the skin, causing serious personal injury. Before disconnecting lines, be sure to relieve all pressure. Before applying pressure to the system, be sure all connections are tight and that lines, pipes, and hoses are not damaged. Oil escaping from a very small hole can be almost invisible. Use a piece of cardboard or wood, rather than hands, to search for suspected leaks.

If injured by escaping oil, see a doctor at once. Serious infection or reaction can develop if proper medical treatment is not administered immediately.

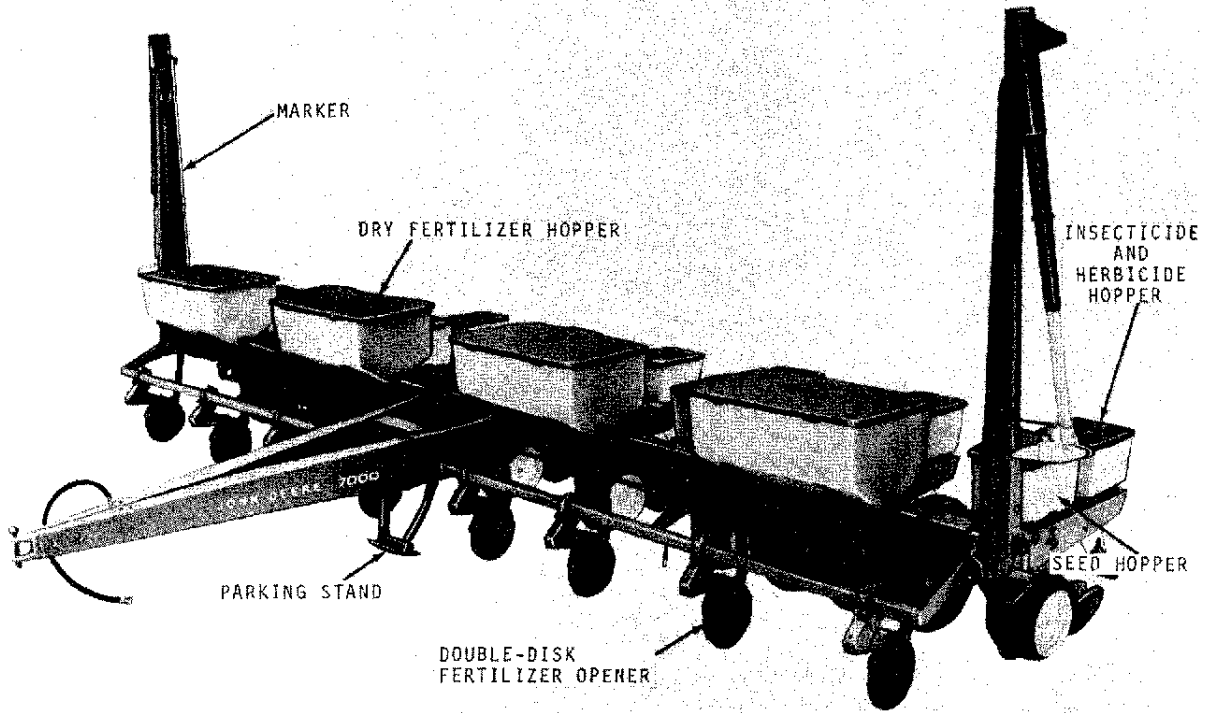
Always relieve pressure in the hydraulic system before working with hydraulic system components.

AGRICULTURAL CHEMICALS

Agricultural chemicals can be dangerous. Improper selection or use can injure persons, animals, plants, soils, or other property. **BE SAFE:** handle and apply with care. Follow instructions of the chemical manufacturer.



Identification Views

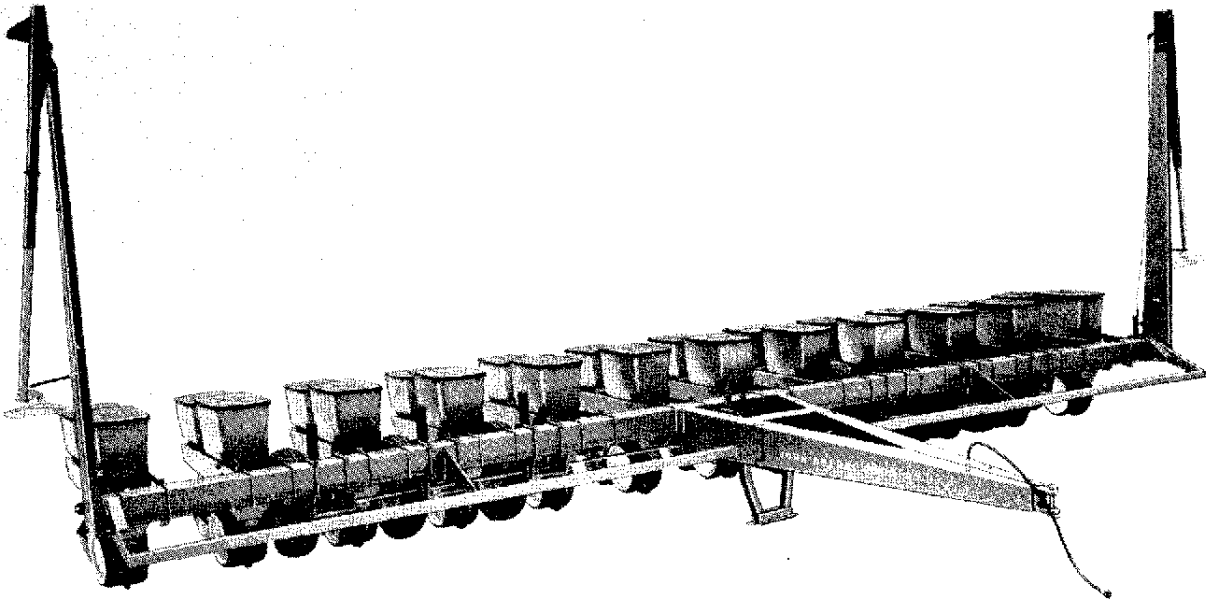


A14852

7000 Drawn Max-Emerge Planter 8-Row Wide with Dry Fertilizer

4 Identification Views

3-4



A14254

7000 Drawn Max-Emerge Planter 12-Row Narrow

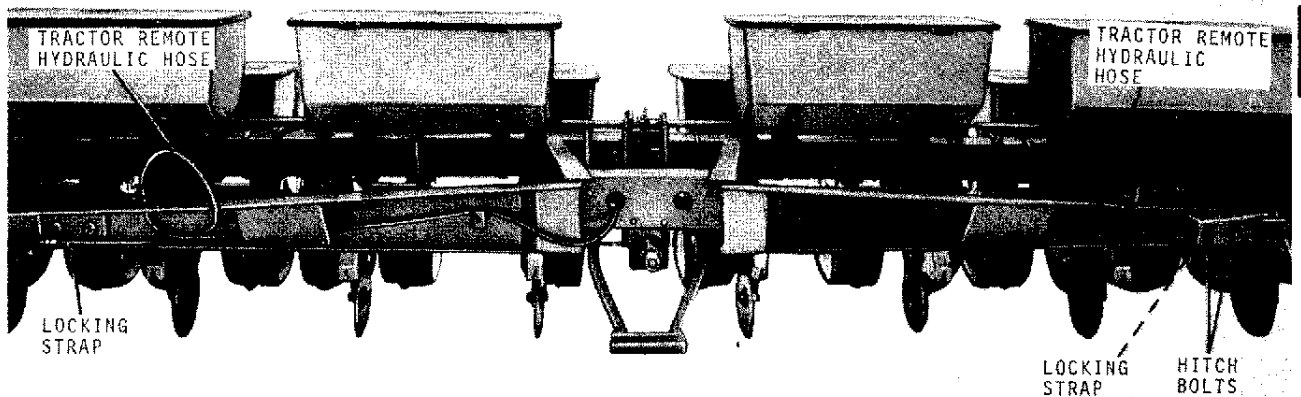


Preparing For Use

ALL PLANTERS

PREPARING THE PLANTER

Hitch



A14255

If planter has been stored with the hitch in the open position proceed as follows:

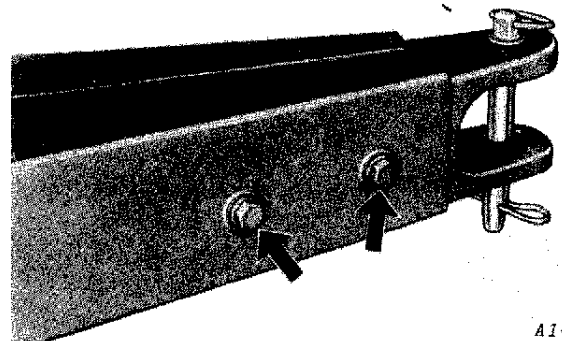
Remove locking straps from hitch.

Remove bolts from hitch clevis.

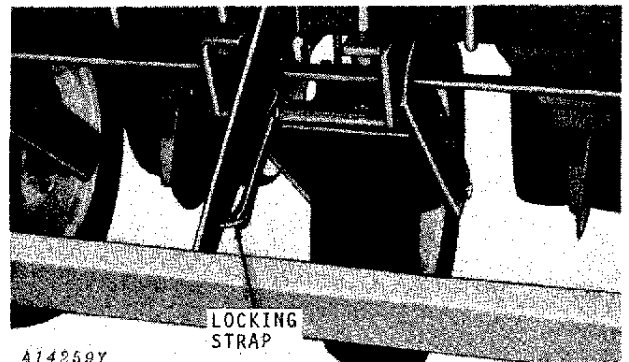
Remove tractor remote hydraulic hoses from between hitch.

Swing hitch halves closed. Be certain hitch halves are firmly seated with hitch clevis and secure with 5/8- x 2-1/4-inch bolts and washers (bold arrows). Torque bolts to 170 ft-lbs (230 Nm) (23 kgm).

Place locking straps in storage position.



A14256Y



A14259Y

6 Preparing For Use

Tire Inflation

Be sure 7.60 x 15 6 PR planter tires are inflated to 40 psi (2.8 bar) (2.8 kg/cm²) of air pressure.

Lubrication

Be sure your planter has been properly lubricated. Consult the lubrication charts on pages 87-89 for lubricating instructions.

Regular and systematic lubrication is the best assurance against breakdowns and delays. It will help you get better service from your planter and save on your maintenance costs.

5-9

Row Widths

The 7000 6-row wide, 8-row narrow, 8-row wide and 12-row narrow Planter is available for planting the following row widths:

6-Row Wide - 36-inch (91 cm), 38-inch (97 cm) and 40-inch (102 cm) row widths.

8-Row Wide - 36-inch (91 cm), 38-inch (97 cm) and 40-inch (102 cm) row widths.

8-Row Narrow - 30-inch (76 cm) row width only.

12-Row Narrow - 30-inch (76 cm) row width only.

To change row widths on the 6-Row Wide and 8-Row Wide planter proceed as follows:

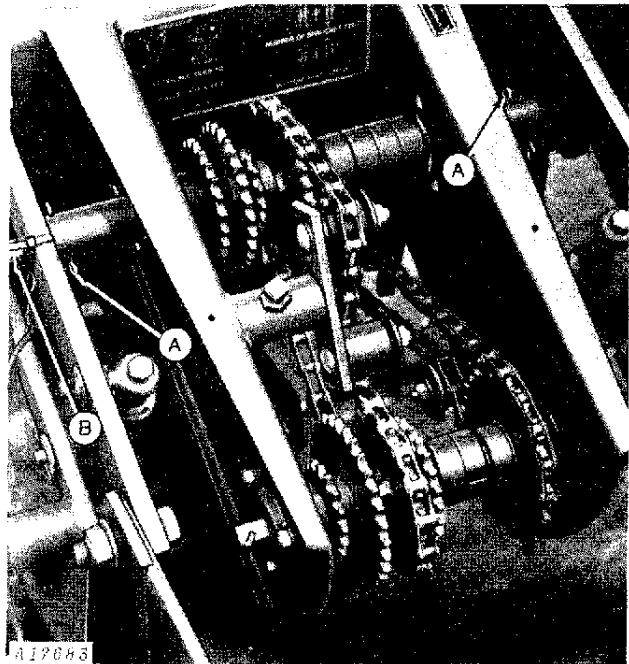
With the planter resting on the ground, remove cotter pin (A) from driver and coupler and remove drill shaft (B).

Loosen U-bolts, then move all planting units, starting with inside rows. Place one inside unit one-half the distance of the desired row width from the center of the planter frame to the center of the planting unit.

Place other units at the desired row width from this unit. Be certain unit mounting angles are vertical and spaced at approximately 12-1/2 inches (320 mm). Torque U-bolts, uniformly, to 105 ft-lbs (142 Nm) (14.2 kgm).

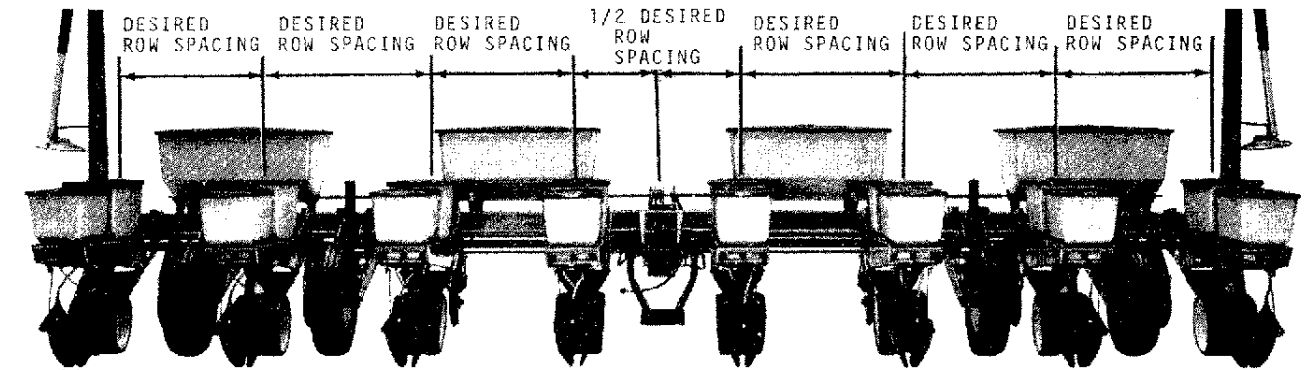
Insert drill shaft through bearings in planting unit driver and coupler, and secure with cotter pin.

Check all drive components for interferences. Check planting unit openers to insure seed tubes and openers are free of dirt or other foreign objects.



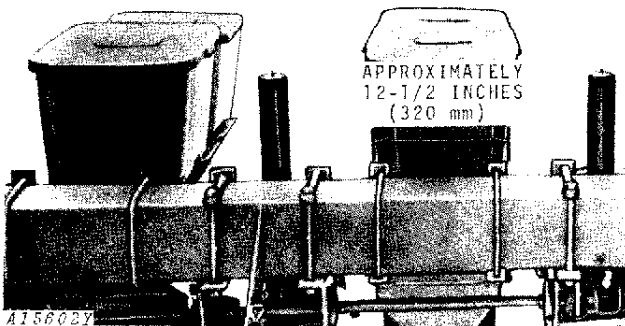
A—Cotter Pin

B—Drill Shaft



A17681

8 Row Wide Planter Illustrated



A156027

NOTE: The drive wheels must be moved if planting 36- or 40-inch (91 cm or 102 cm) rows. To move the drive wheels proceed as follows:

Lower the planter on blocks approximately 36 inches (910 mm) high.

CAUTION: Support drive wheels with hoist, jack, or wood block before removing wheel module bolts.

Remove wheel module bolts.

CAUTION: Escaping hydraulic oil under pressure can have sufficient force to penetrate the skin, causing serious personal injury. Before disconnecting lines, be sure to relieve all pressure. Before applying pressure to the system, be sure all connections are tight and that lines, pipes, and hoses are not damaged.

Remove hydraulic hose from fitting and remove cap from oil fitting on planter frame.

Remove bolt from ratchet dog carrier and cotter pin from drive shaft.

Remove set screws from bearing and move wheels to desired row spacing.

5-9

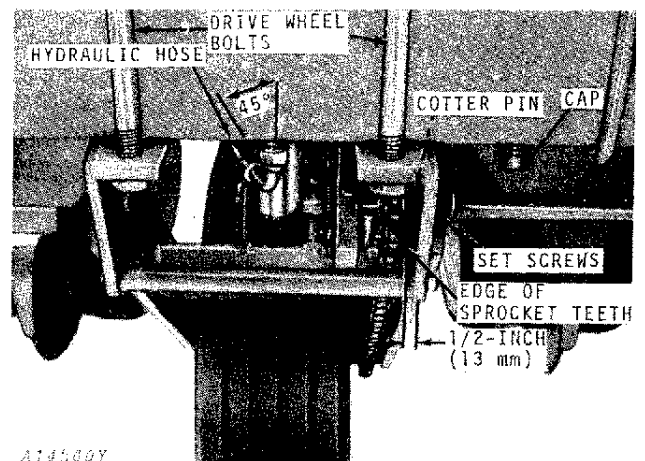
NOTE: Use emery cloth to remove paint from drive shaft for ease in moving drive wheels.

After setting wheels to desired row spacing, insert cotter pin in drive shaft and insert bolt in ratchet dog carrier.

Be certain drive chain aligns properly with ratchet sprocket on countershaft. There should be 1/2-inch (13 mm) between inside of wheel frame support and edge of sprocket teeth. Loosen drive wheel bolts and adjust as required.

Tighten set screws on bearing, connect hydraulic hose to fitting and install cap on oil fitting where hydraulic hose had been previously connected.

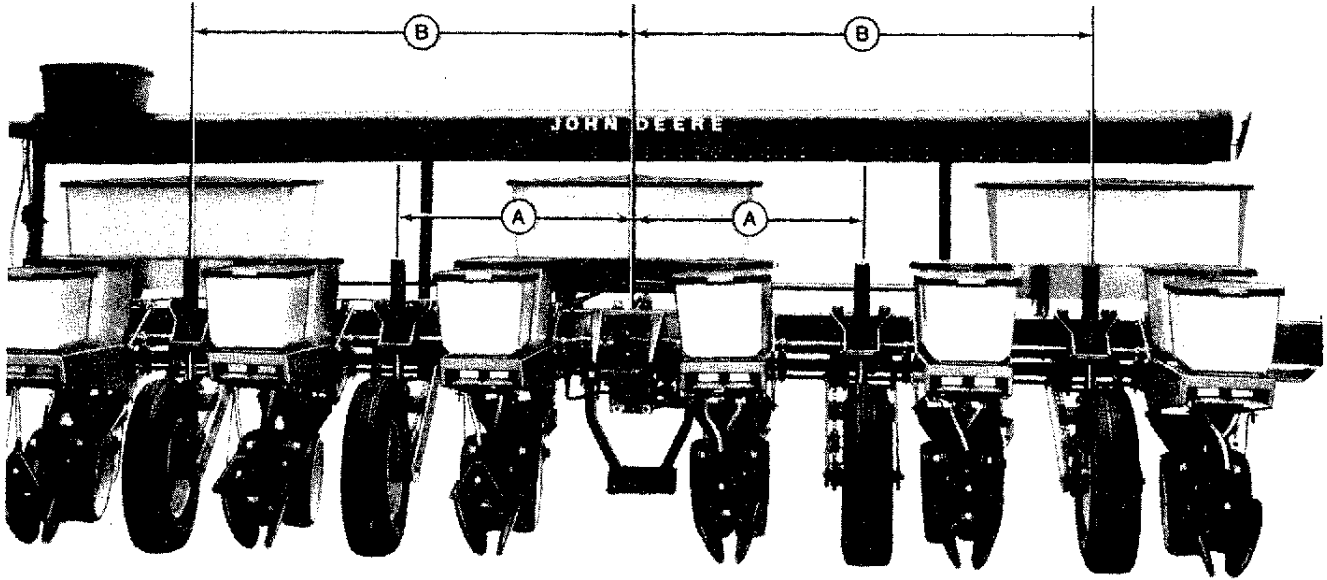
IMPORTANT: Pivot hydraulic hose and fitting on drive wheels approximately 45 degrees for clearance when the service lock is installed on the hydraulic cylinder. Failure to do so can result in loose fittings and damage to hose.



A14500Y

Row Widths—Continued
6-Row Wide

5-9

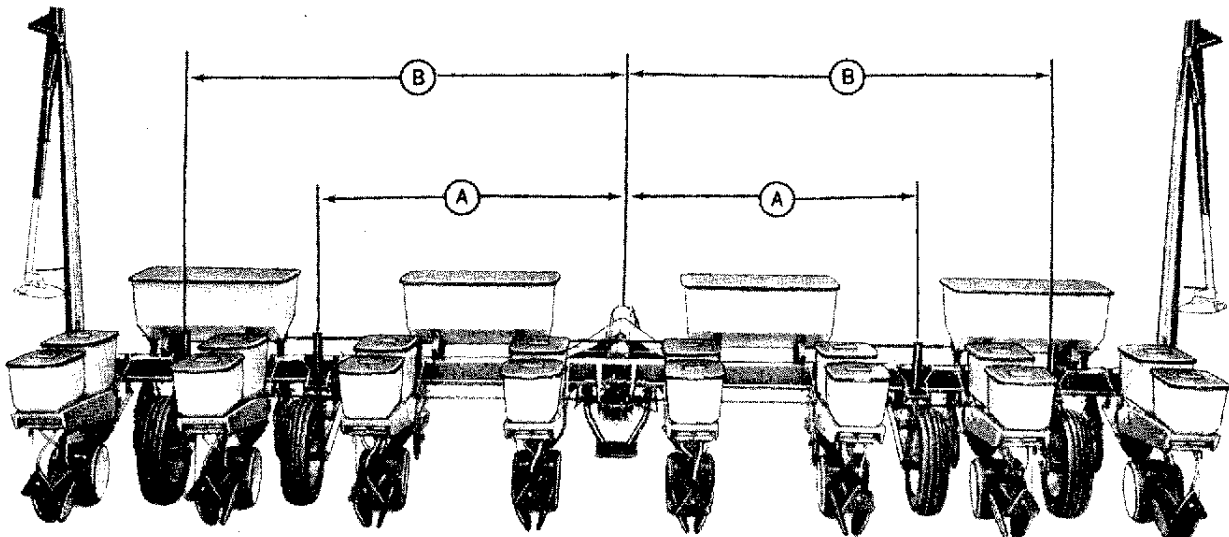


A17885

ROW SPACING IN INCHES (cm)
DIMENSIONS IN INCHES (mm)

Row Spacing	Dimension A	Dimension B
36 In. (91 cm)	38-3/4-In. (985 mm)	75 In. (1 905 mm)
38 In. (97 cm)	38-3/4-In. (985 mm)	75 In. (1 905 mm)
40 In. (102 cm)	38-3/4-In. (985 mm)	75 In. (1 905 mm)

8-Row Wide



A12031

ROW SPACING IN INCHES (cm)
DIMENSIONS IN INCHES (mm)

Row Spacing	Dimension A	Dimension B
36 In. (91 cm)	74 In. (1 880 mm)	108 In. (2 745 mm)
38 In. (97 cm)	74 In. (1 880 mm)	117 In. (2 970 mm)
40 In. (102 cm)	81 In. (2 055 mm)	117 In. (2 970 mm)

PREPARING THE TRACTOR

Tire Inflation

Inflate the tractor tires as recommended in the tractor operator's manual.

Tractor Drawbar

Place the drawbar approximately 20 inches (510 mm) from the ground and secure in the center of the tractor.

Setting Wheel Tread

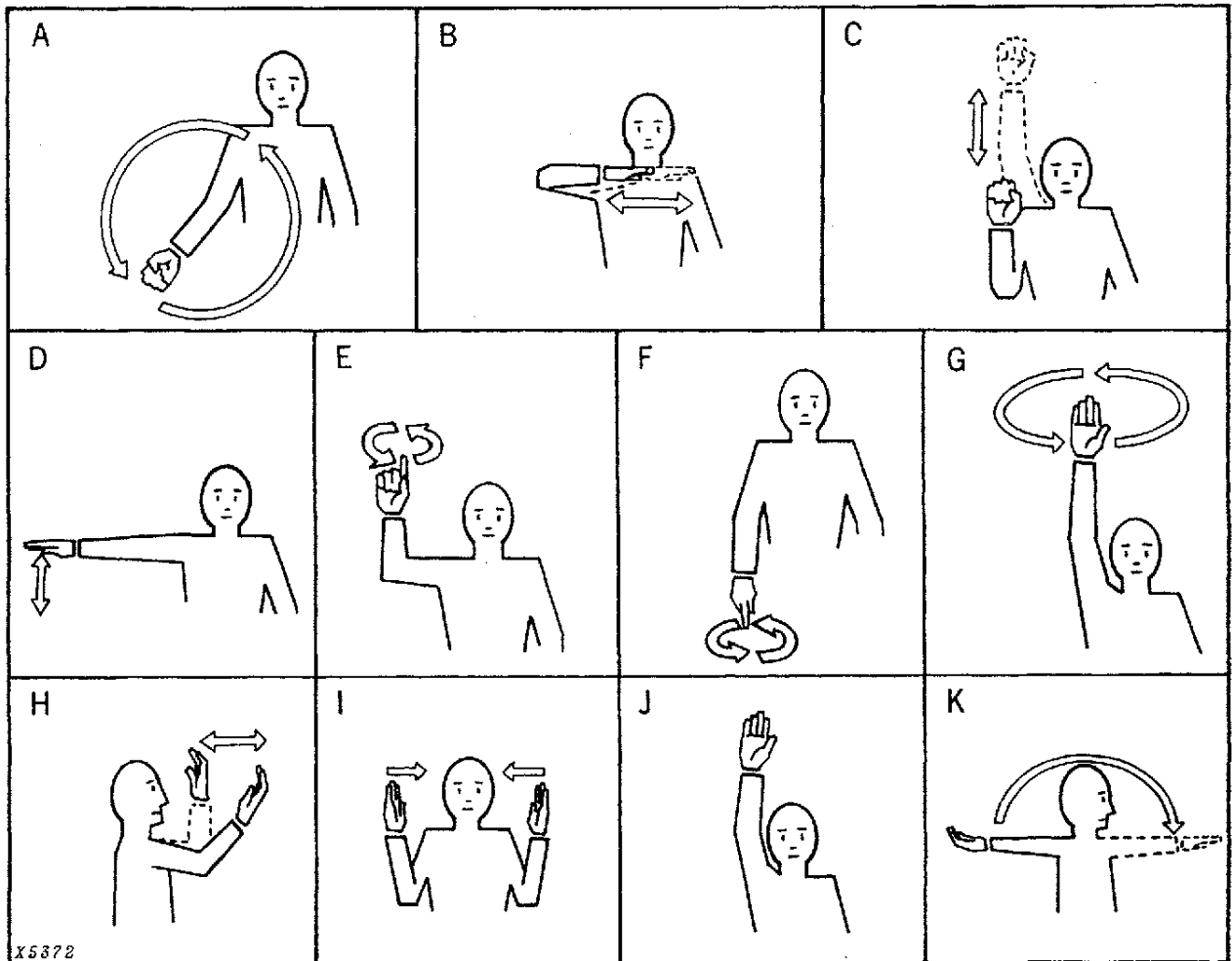
Set tractor tires (center to center of tread) at twice the row spacing.

Rockshaft Height Stop

(4030, 4040, 4230, 4240, 4430, 4440, 4630, 4640, 4840, 8430 and 8630 Tractors)

If the tractor rockshaft is accidentally lowered with a Quik-Coupler hitch on the tractor, damage can occur to the planter hitch when turning the tractor.

To prevent accidentally lowering the rockshaft while operating the planter, install AR60331 rockshaft height stop. Installation instructions are provided with the stop.



A—Start the Engine
B—Stop the Engine
C—Speed it up-Increase Speed

D—Slow it Down-Decrease Speed
E—Raise Equipment
F—Lower Equipment

G—Come to Me
H—Move Toward Me-Follow Me
I—This Far to Go
J—Stop
K—Move Out-Take Off

Hand Signals-Use When Noise or Distance Does Not Allow Normal Voice Communication

Thank you so much for reading.
Please click the “Buy Now!”
button below to download the
complete manual.



After you pay.

You can download the most
perfect and complete manual in
the world immediately.

Our support email:

ebooklibonline@outlook.com