

# 105 INTEGRAL DISK



## OPERATORS MANUAL

### 105 INTEGRAL DISK

OMA48801 L3 English

**JOHN DEERE PLOW & PLANTER WORKS**  
**OMA48801 L3**

LITHO IN THE U.S.A.  
ENGLISH



## INTRODUCTION



**This safety alert symbol identifies important safety messages in this manual. When you see this symbol, be alert to the possibility of personal injury and carefully read the message that follows.**

“Right-hand” and “left-hand” sides are determined by facing in the direction the disk will travel when in use.

Record your disk model and serial number in the space provided on page 56.

The general disk warranty appears on your copy of the purchase order which you should have received from your dealer when you purchased the disk.

This operator’s manual contains SI Metric equivalents which follow immediately after the U.S. customary units of measure.

# 105 INTEGRAL DISK

## TO THE DEALER

After the disk has been assembled, inspect it thoroughly to be sure it is functioning properly before delivering it to the customer. The following check list is a reminder of points to check. Check off each item as it is found satisfactorily or after proper adjustment has been made.

The John Deere Delivery Receipt, when properly filled out and signed by the dealer and customer, verifies that the predelivery and delivery services were satisfactorily performed. When delivering this disk, give the customer a copy of the delivery receipt and the operator's manual. Explain their purpose.

Be sure to retain your copy of the packing list for shipping bundle information.

### PREDELIVERY CHECK LIST

The following check list is a reminder of points to inspect. Check off each item as it is found satisfactory or after proper adjustment is made.

- Be sure gang bolts are torqued to 450 lb-ft (610 N·m).
- Inspect to be sure nuts on all bolts have been tightened and all cotter pins spread. See bolt torque chart on Page 23.
- Be sure disk gangs turn freely.
- Paint all unpainted bolts and nuts and any other parts scratched in shipment.
- This disk has been checked and, to the best of my knowledge, is ready for delivery to the customer.

\_\_\_\_\_  
(Date Set Up)

\_\_\_\_\_  
(Signature of Set-Up Person)

## OWNER REGISTER

Name \_\_\_\_\_

Post Office \_\_\_\_\_

County \_\_\_\_\_

City \_\_\_\_\_ State \_\_\_\_\_

Model \_\_\_\_\_

Serial No. \_\_\_\_\_

Date Sold \_\_\_\_\_

### DELIVERY CHECK LIST

The following check list is a reminder of very important information which should be conveyed directly to the customer at the time the disk is delivered. Check off each item as it is fully explained to the customer.

- Tell the customer all about safety precautions that must be observed while using this disk.
- Give the operators manual to the customer and explain all operating adjustments.
- To the best of my knowledge, this machine has been delivered ready for field use and customer has been fully informed as to proper care and operation.

\_\_\_\_\_  
(Date Delivered)

\_\_\_\_\_  
(Signature of Delivery Person)



# Contents

---

	Page
SAFETY .....	2-3
IDENTIFICATION VIEW .....	4
PREPARING THE TRACTOR .....	5-10
PREPARING THE DISK .....	11
ATTACHING TO TRACTOR .....	12
TRANSPORTING .....	13-14
OPERATING THE DISK .....	15-17
TROUBLE SHOOTING .....	18-20
DETACHING FROM TRACTOR .....	21-22
SERVICE .....	23-41
ATTACHMENTS .....	42-44
ASSEMBLY .....	45-54
SPECIFICATIONS .....	55-56
INDEX .....	57



# Safety

---

## TRANSPORT SAFELY

While transporting the disk on a public road, follow safety instructions outlined under "Transporting."

When transporting the disk on a road or highway at night or during the day, use accessory lights and devices for adequate warning to operators of other vehicles. In this regard, check local governmental regulations. Various safety devices are available from your John Deere Dealer.

## OPERATE THE DISK SAFELY

Never ride or permit others to ride on the drawbar of the tractor or on the disk.

Only one person - the operator - should be permitted on the tractor platform while tractor and disk are in operation.

Be careful when operating on hillsides because the tractor may tip sideways if it strikes a hole, ditch, or other irregularity.

Wear protective gloves to help prevent injury from cutting edges of disk blades when removing or installing scraper blades.

Do not leave the disk in the raised position when it is not in use. Always lower it to the ground.

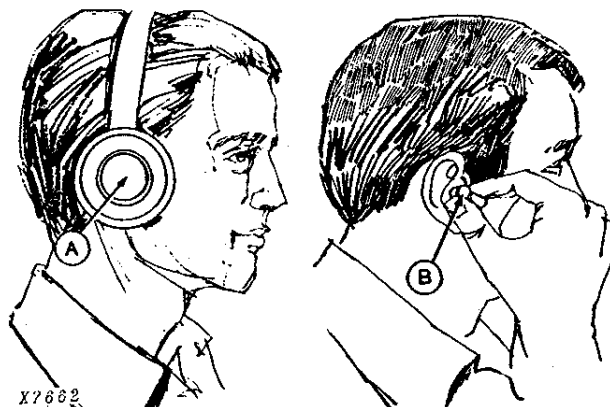
## DISPOSE OF SPRAY CANS SAFELY

If spray can paint is used for protecting disk blades to be put in storage, be careful when discarding empty can. Do not incinerate or puncture can.

## PROTECT AGAINST NOISE

Prolonged exposure to loud noise can cause impairment or loss of hearing.

Wear a suitable hearing protective device such as earmuffs (A) or earplugs (B) to protect against objectionable or uncomfortable loud noises.



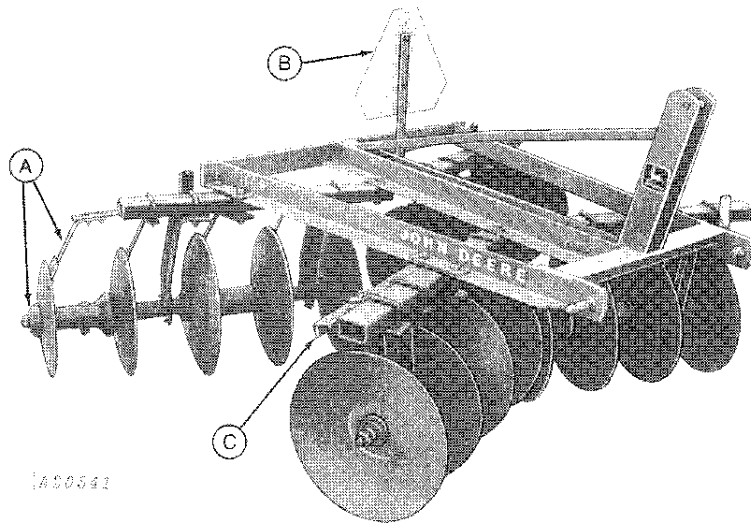
## DO NOT MODIFY THE DISK

Unauthorized modifications to the machine may impair the function and/or safety and affect machine life.



# Identification View

---



*John Deere 105 Integral Disk - 6'7" (2.0 m) Narrow Frame Disk Illustrated*

**A—Furrow Filler (Attachment)**

**B—Slow Moving Vehicle (SMV) Emblem  
(Attachment)**

**C—Rigid Scrapers (Attachment)**



# Preparing the Tractor

## IMPLEMENT CODE TABLES

### Instructions

- Step 1 - Find your disk and tractor model in the IMPLEMENT CODE TABLES on the following pages and enter its code on line 1.
- Step 2 - Enter an Implement Code for each attachment on line 2.
- Step 3 - Add these codes to obtain Total Implement Code.
- Step 4 - Select additions or subtractions from tractor operator's manual.
- Step 5 - Refer to tractor operator's manual to determine required tractor front ballast.

Our example is a 6'3" (1.9 m) disk with 18-inch blades, furrow filler, and scrapers using a 950 Tractor for a total 50 implement code. Refer to your operator's manual for step 4 and 5 for your recommended front end ballast.

	EXAMPLE		YOUR CODE
Step 1	<u>42</u>	Step 1	_____
Step 2	<u>8</u>	Step 2	_____
Step 3	<u>50(sub)</u>	Step 3	_____
Step 4	_____	Step 4	_____
Step 5	<u>(total)</u>	Step 5	_____

**IMPORTANT:** Refer to tractor operator's manual: 1. If the total implement code exceeds the maximum implement code listed for a particular tractor model, the implement-attachment combination is not recommended for that tractor. 2. The total load on any tractor wheel due to the weight of the implement-attachment combination and tractor equipment, should not exceed the carrying capacity of the tractor tires.



**CAUTION:** When operating the tractor in third or lower gears, front-end weights up to the maximum permissible, regardless of size and equipment of disk, are recommended to avoid possible front-end tip-up.

*Continued on next page*



Disk Size	850 TRACTOR Serial No. (-016000)			850 TRACTOR Serial No. (016001- )			950 TRACTOR			1050 TRACTOR		
	Basic Code	Scraper Attachment	Furrow Filler Attachment	Basic Code	Scraper Attachment	Furrow Filler Attachment	Basic Code	Scraper Attachment	Furrow Filler Attachment	Basic Code	Scraper Attachment	Furrow Filler Attachment
6'3" (1.9 m) - 18" (450 mm) Blades - 20" (500 mm) Blades	42	4*	4*	42	4	4	42	4	4	42	4	4
	46	**	**	46	4*	4*	46	4	4	46	4	4
6'7" (2.0 m) - 18" (450 mm) Blades - 20" (500 mm) Blades	44	**	**	44	6*	4*	44	6	4	44	6	4
	N.R.	—	—	49	**	**	49	6*	4*	49	6	4
7'8" (2.3 m) - 18" (450 mm) Blades - 20" (500 mm) Blades	N.R.	—	—	50	**	**	50	5*	4*	50	5	4
	N.R.	—	—	N.R.	—	—	55	**	**	55	5*	4*
7'9" (2.4 m) - 18" (450 mm) Blades - 20" (500 mm) Blades	N.R.	—	—	N.R.	—	—	55	**	**	55	7	4
	N.R.	—	—	N.R.	—	—	N.R.	—	—	60	7	4
8'10" (2.7 m) - 18" (450 mm) Blades - 20" (500 mm) Blades	N.R.	—	—	N.R.	—	—	N.R.	—	—	N.R.	—	—
	N.R.	—	—	N.R.	—	—	N.R.	—	—	N.R.	—	—
9'2" (2.8 m) - 18" (450 mm) Blades - 20" (500 mm) Blades	N.R.	—	—	N.R.	—	—	N.R.	—	—	59	**	**
	N.R.	—	—	N.R.	—	—	N.R.	—	—	N.R.	—	—
10'0" (3.0 m) - 18" (450 mm) Blades - 20" (500 mm) Blades	N.R.	—	—	N.R.	—	—	N.R.	—	—	N.R.	—	—
	N.R.	—	—	N.R.	—	—	N.R.	—	—	N.R.	—	—
10'7" (3.2 m) - 18" (450 mm) Blades - 20" (500 mm) Blades	N.R.	—	—	N.R.	—	—	N.R.	—	—	N.R.	—	—
	N.R.	—	—	N.R.	—	—	N.R.	—	—	N.R.	—	—

\*Compatible with Disk with one or the other attachment but not both.

\*\*Compatible with Disk without Scrapers or Furrow Filler.

N.R.—Not Recommended.

Thank you so much for reading.  
Please click the “Buy Now!”  
button below to download the  
complete manual.



After you pay.

You can download the most  
perfect and complete manual in  
the world immediately.

Our support email:

[ebooklibonline@outlook.com](mailto:ebooklibonline@outlook.com)