

41, 41A and 41B Side Dressers



JOHN DEERE

OPERATORS MANUAL

41, 41A and 41B
Side Dressers

OMB25015B A1 English

OMB25015B A1

LITHO IN U.S.A.
ENGLISH



To the purchaser

Your new side dresser is sturdy and dependable. It will give long and efficient service if given proper care and operation.

This operator's manual contains information of proper operation, adjustment, maintenance, and lubrication of your new side dresser.

When in need of parts, see your John Deere dealer. He will furnish genuine John Deere Parts and prompt and efficient service in the field or in the shop.

Right-hand and left-hand reference is determined by standing at the rear of the Side Dresser and facing the direction of travel.



Study this manual carefully. Keep it handy, in a safe place, for future reference.

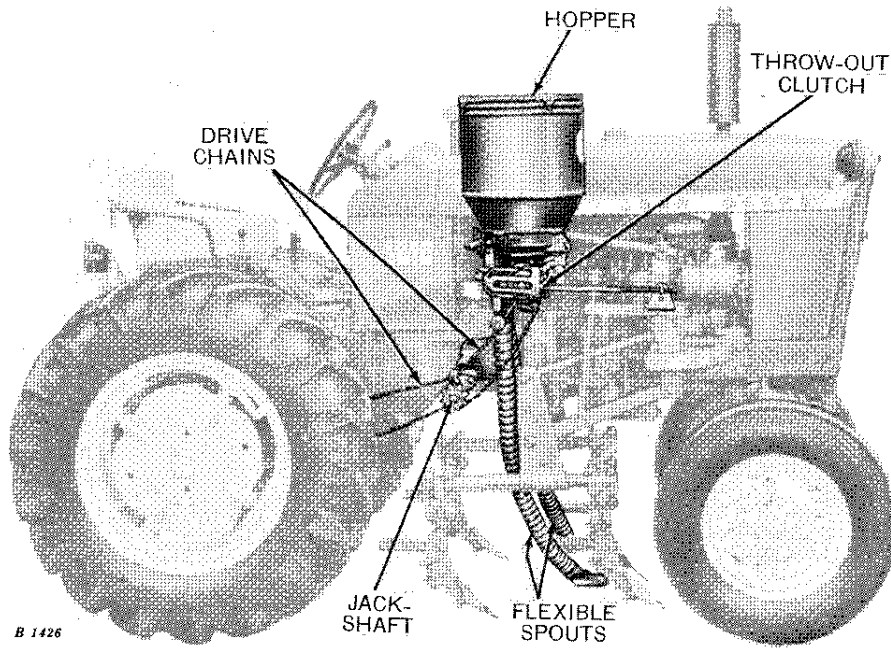
SIDE DRESSER	
41 Side Dresser	<input type="checkbox"/>
41A Side Dresser	<input type="checkbox"/>
41B Side Dresser	<input type="checkbox"/>
Date Purchased	<input type="checkbox"/>
<i>(To be filled in by Purchaser)</i>	

Price

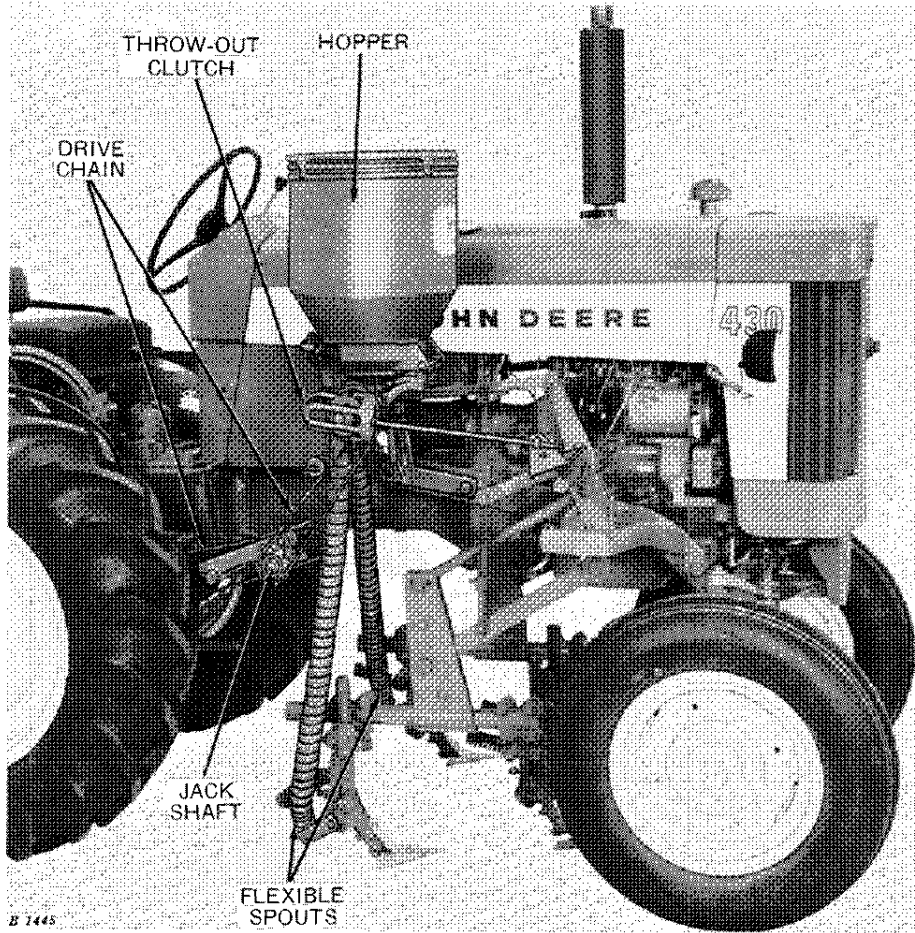


contents

	Page
IDENTIFICATION VIEWS	2-4
SPECIFICATIONS	5
OPERATION	6-7
Throw-Out Clutch	6
Rate of Application	6-7
Handling Fertilizer	7
SAFETY SUGGESTIONS	8
LUBRICATION	9
ASSEMBLY	10-20
Shipping Bundles	10
41 Side Dresser Only	11-13
41A Side Dresser Only	14-17
41B Side Dresser Only	18-20



41B one-row side dresser mounted on a John Deere 1010 Tractor with an S-1 Cultivator



41A one-row side dresser mounted on a John Deere 430 Standard Tractor with a 4110 Cultivator.

Thank you so much for reading.
Please click the “Buy Now!”
button below to download the
complete manual.



After you pay.

You can download the most
perfect and complete manual in
the world immediately.

Our support email:

ebooklibonline@outlook.com