

# NO. 6 AND NO. 7 LOOSE GROUND LISTER PLANTERS



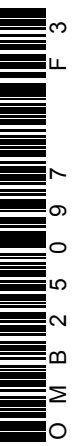
JOHN DEERE

## OPERATORS MANUAL NO. 6 AND NO. 7 LOOSE GROUND LISTER PLANTERS

OMB25097 F3 English

**OMB25097 F3**

LITHO IN THE U.S.A.  
ENGLISH



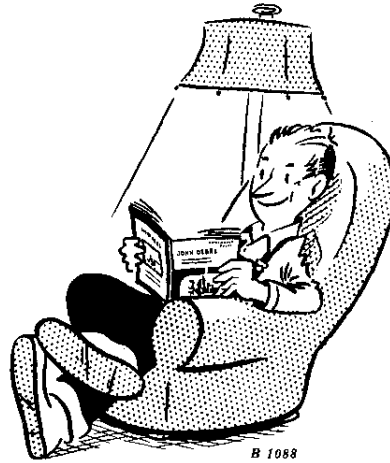
## TO THE PURCHASER

Your new John Deere Planter is efficient and dependable. It will give long and efficient service if given proper care and operation.

This operator's manual is provided to furnish information on the proper operation, adjustment, and maintenance of your new planter.

When in need of parts, see your John Deere dealer. He will furnish genuine John Deere Parts and prompt and efficient service in the field or in the shop.

Right-hand and left-hand reference is determined by standing at the rear of the planter and facing the direction of travel.



Study this manual carefully. Keep it handy, in a safe place, for future reference.

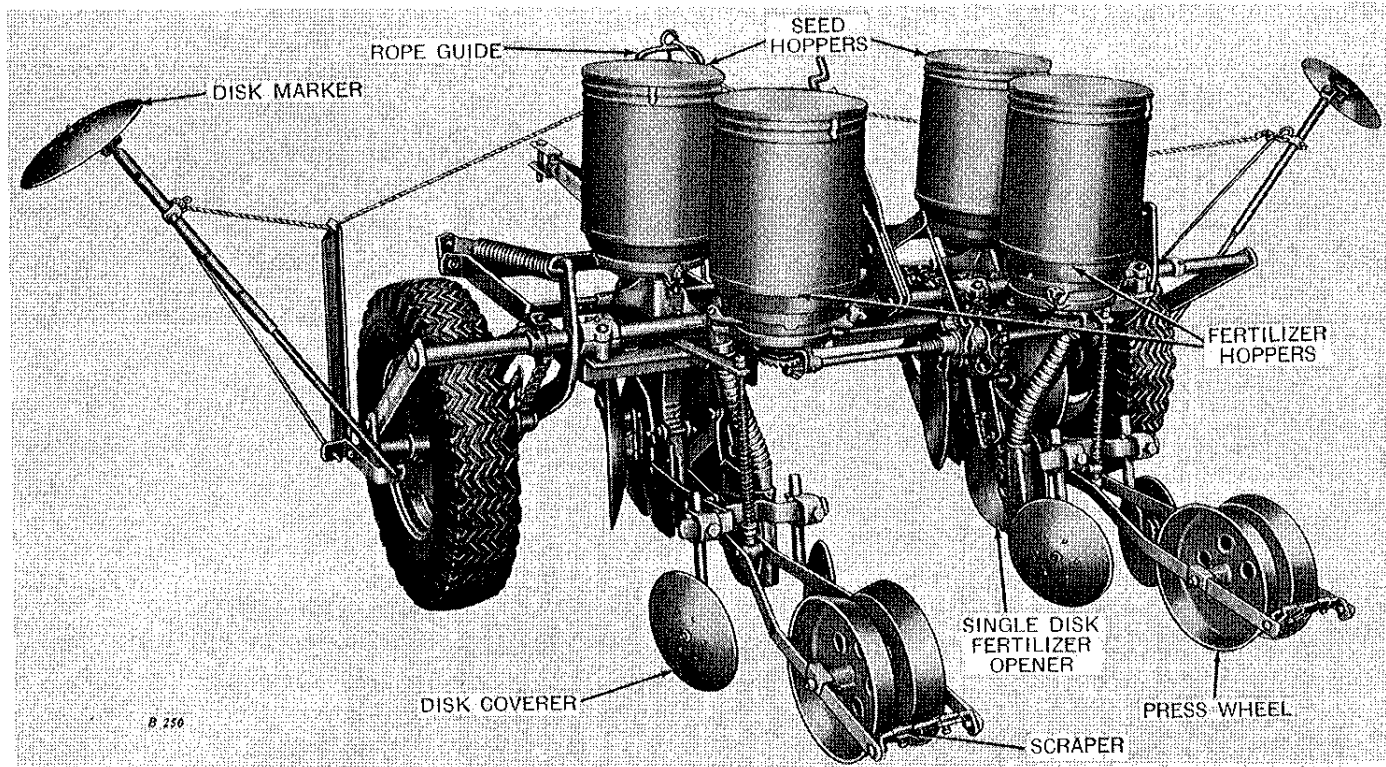
**IMPORTANT:** Proper lubrication is required to keep your planter in good working condition and to guard against excessive wear, breakage, or hard driving. See page 21 for Lubrication Chart.

John Deere No. 6 or No. 7 Loose Ground Lister Planter	
Check off model of your planter, special equipment obtained, and record date purchased.	Shelled Peanut Attachment . . . <input type="checkbox"/>
Model:	Unshelled Peanut Attachment . . <input type="checkbox"/>
No. 6 . . . . . <input type="checkbox"/>	Brush Cut-Off . . . . . <input type="checkbox"/>
No. 7 . . . . . <input type="checkbox"/>	Fine Seed Attachment . . . . . <input type="checkbox"/>
Fertilizer Attachment:	Pea or Bean Attachment . . . . . <input type="checkbox"/>
Dry . . . . . <input type="checkbox"/>	Cotton Cell-Drop Planting At- tachment . . . . . <input type="checkbox"/>
Liquid . . . . . <input type="checkbox"/>	Date Purchased . . . . .
Single-Disk Fertilizer Opener <input type="checkbox"/>	
Rubber Press Wheel Tires . . . <input type="checkbox"/>	
Baffle Plate for Shelled Peanuts <input type="checkbox"/>	
<i>(To be filled in by purchaser)</i>	

Price

## CONTENTS

	Page
IDENTIFICATION VIEW . . . . .	2
SPECIFICATIONS . . . . .	3
OPERATION . . . . .	4
Preparing the Tractor . . . . .	4
Preparing the Planter . . . . .	4-17
Row Widths . . . . .	4-5
Ground Wheels . . . . .	5
Markers . . . . .	5
Planting Cotton — No. 7 Planter Only . . . . .	6
Planting Corn and all other Seed except Cotton . . . . .	6
Seed Plates . . . . .	7-9
Drilling . . . . .	10
Approximate Pounds of Soybeans per Acre . . . . .	11
Approximate Pounds of Maize per Acre . . . . .	11
Plant Population . . . . .	12
Hitching and Leveling Planter . . . . .	13-14
Transporting . . . . .	14
Markers . . . . .	14
Depth of Furrow . . . . .	15
Depth of Planting . . . . .	15
Disk Coverers . . . . .	16
Press Wheel Spring Pressure . . . . .	16
Press Wheel Tires . . . . .	16
Dry Fertilizer . . . . .	17
Single Disk Fertilizer Opener . . . . .	18
Pea or Bean Attachment — No. 6 Planter Only . . . . .	18
Pea or Bean Attachment — No. 7 Planter Only . . . . .	18
Fine Seed Attachment — No. 7 Planter Only . . . . .	19
Brush Cut-Off and Baffle Plate — No. 7 Planter Only . . . . .	19
Shelled Peanut Attachment — No. 7 Planter Only . . . . .	19
Unshelled Peanut Attachment — No. 7 Planter Only . . . . .	19
Cotton Cell-Drop Planting Attachment — No. 7 Planter Only . . . . .	19
SAFETY SUGGESTIONS . . . . .	20
LUBRICATION . . . . .	21
MAINTENANCE . . . . .	22
ASSEMBLY . . . . .	23-33



B. 250

*No. 7 Loose Ground Lister Planter with Mechanical Lift  
and Dry Fertilizer Attachment*

## SPECIFICATIONS

**Types** - No. 6 Loose Ground Lister Planter, two-row drill corn planter.

No. 7 Loose Ground Lister Planter, two-row drill cotton and corn planter.

**Types of Lift** - Mechanical lift—lift clutch is rope-controlled by operator from tractor seat.

Remote hydraulic cylinder lift—uses any 8-inch stroke remote hydraulic cylinder that conforms to ASAE-SAE standards.

**Type of Drive** - Sprocket and chain from ground wheels with a differential to equalize the drive.

**Ground Wheels** - 15-inch rims (6:70 x 15 or 7:10 x 15 rubber tires are recommended).

**Row Spacing** - 36, 38, 40, or 42 inches.

**Press Wheels** - 12-inch heavy-duty press wheels with adjustable spring pressure—zero pressure rubber tires available as special equipment.

**Markers** - Disk-type—manually controlled by the operator from the tractor seat.

**Planting Units** - Each planting unit has a runner opener and 16-inch double-disk furrowers which are adjustable up or down on the shank.

**Planting Depth** - Determined by the position of the disk furrow openers on the shanks.

**Disk Coverers** - 10-inch disk coverers which are adjustable for angle and depth.

**Fertilizer Attachment** - Dry Fertilizer Attachment—Plate-Type feed, two 100 lb. capacity hoppers.

**Fertilizer Opener** - Single-disk fertilizer opener is available. This will place the fertilizer to one side of, and either even with or below the seed.

**Pea Attachment** - For planting peas or beans in the row with the corn.

**Unshelled Peanut Attachment** - For planting peanuts in the shell (No. 7 Planter only).

**Shelled Peanut Attachment** - For planting shelled peanuts (No. 7 Planter only).

**Brush Cut-Off** - For planting fragile seeds such as castor beans (No. 7 Planter only).

**Fine Seed Attachment** - For planting grass and similar small seeds (No. 7 Planter only).

**Cell-Drop Cotton Planting Attachment** - For planting mechanically-delinted cotton seed. Used in place of the picker wheel in the hopper (No. 7 Planter only).

*(Specifications and design subject to change without notice.)*

## OPERATION

### PREPARING THE TRACTOR

Set the tractor rear wheels, center-to-center of tread, and equal distance from the center of the tractor as follows:

Row Spacing	Tractor Wheel Tread
42"	80"
40"	80"
38"	76"
36"	72"

For all row spacings, except 42 inches, the planter ground wheels will then run in the center of the tracks left by the rear wheels of the tractor.

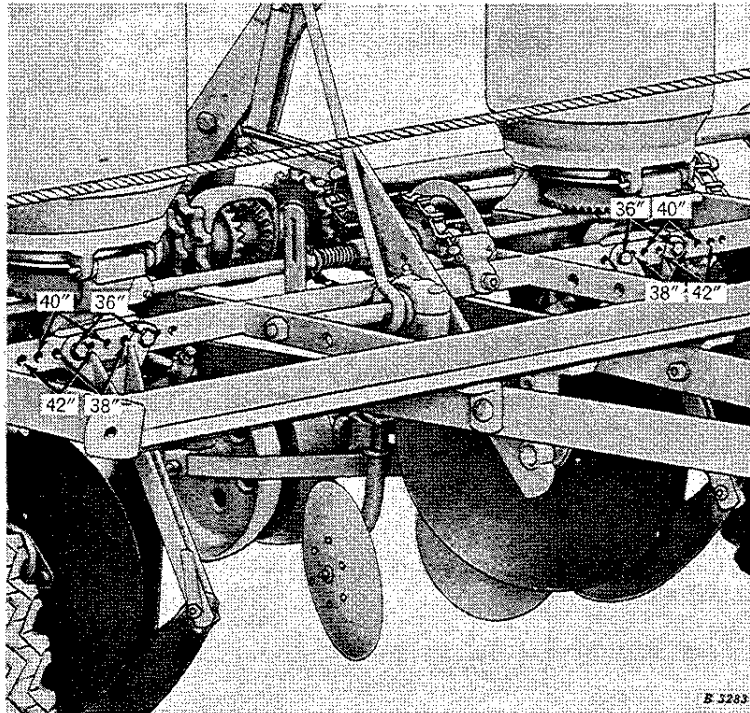
Set the tractor drawbar approximately 15 inches above the ground and bolt it in the center of the tractor.

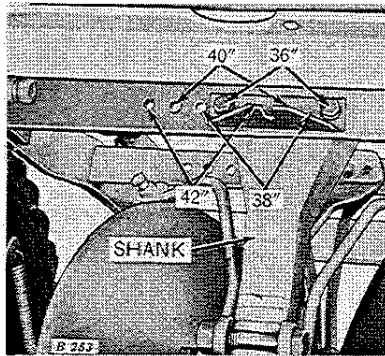
For remote hydraulic cylinder lift planters the tractor must be equipped with an 8-inch remote hydraulic cylinder that conforms to ASAE-SAE standards.

When using the 3010 or 4010 Tractor, place the load-and-depth control lever in the "D" position.

### PREPARING THE PLANTER

#### Row Widths

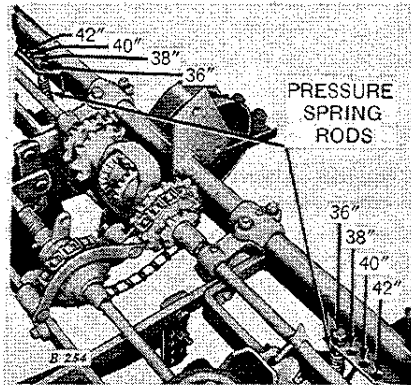




Rear View of Left-Hand Shank

The No. 6 and No. 7 Planters can be set to plant in 36-, 38-, 40-, or 42-inch row widths.

To change row widths, remove the bolts which hold the shanks and pressure spring rods. Move the shanks to the desired row-width setting. Reinstall and tighten the bolts.



**Tire Inflation**

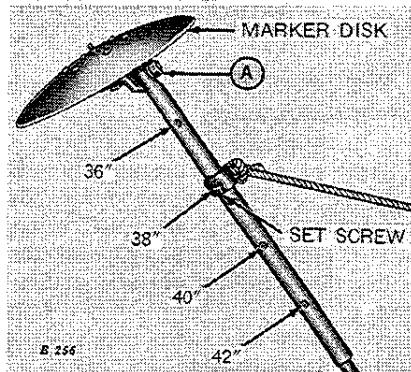
Inflate the tires to 24 pounds.

**Ground Wheels**



The ground wheels are adjustable in or out on the axle shaft. Loosen the four set screws on each wheel and set the center-to-center distance between the wheels 72 inches for 36-inch rows and 76 inches for 38-inch rows. For 40- and 42-inch rows, position the wheels in the widest setting. Tighten the setscrews after adjusting the wheels.

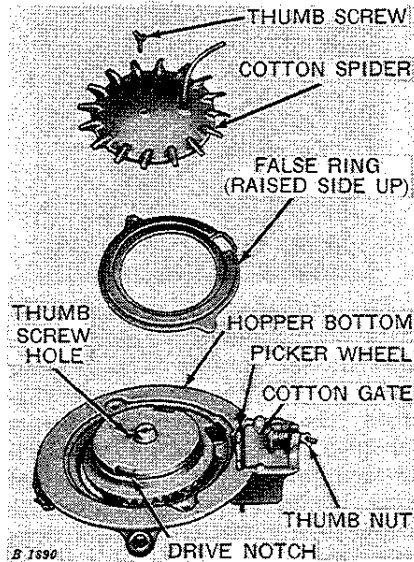
**Markers**



Set each marker to correspond to the planter row width setting by loosening the set screw and sliding the marker arm in or out as required. Line up the set screw with the desired hole in the marker arm and tighten it securely. Angle the marker disk at "A," so it will cut a mark which will be easy to follow.

## 6 Operation

### Planting Cotton— No. 7 Planter Only



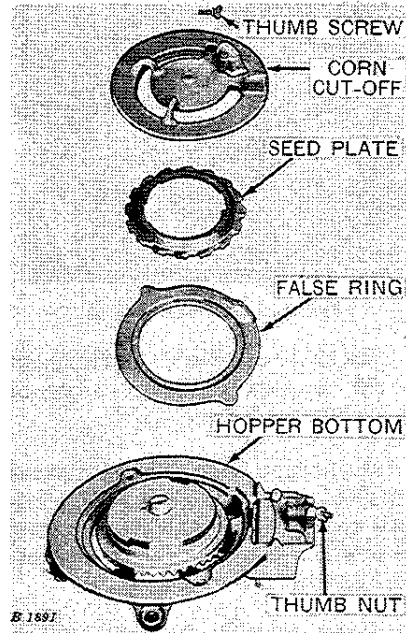
When using the No. 7 Planter to plant cotton, remove the corn cut-off from the hopper by unscrewing the thumb screw which holds it in place.

Place the false ring in hopper with the **raised side up**.

Install the cotton spider and hold it in place with the thumb screw. The hole in the cotton spider is off to one side of center and lines up with the thumb screw hole in the hopper bottom. The drive lugs on the cotton spider must engage the drive notches on the hopper bottom.

The quantity of cotton planted is regulated by the cotton gate. To increase the quantity of seed planted, turn the thumb nut to the right which will open the cotton gate. To decrease the quantity of seed planted, turn the thumb nut to the left.

### Planting Corn And All Other Seed Except Cotton— No. 7 Planter Only



Remove the cotton spider.

Install false ring with **raised side up** when planting small seed such as: feterita, sorghum, etc. If corn or other large seeds are to be planted, install the false ring with **flat side up**.

*NOTE: Some seed plates require special false rings. See seed plate chart, page 9.*

Install seed plate.

Install corn cut-off and fasten in place with the thumb screw. The cut-off must fit tightly against the false ring.



Thank you so much for reading.  
Please click the “Buy Now!”  
button below to download the  
complete manual.



After you pay.

You can download the most  
perfect and complete manual in  
the world immediately.

Our support email:

[ebooklibonline@outlook.com](mailto:ebooklibonline@outlook.com)