



BF AND BFT FINISHING HARROWS



JOHN DEERE

OPERATORS MANUAL BF AND BFT FINISHING HARROWS

OMB25274 (01OCT65) English

OMB25274 (01OCT65)

LITHO IN THE U.S.A.
ENGLISH



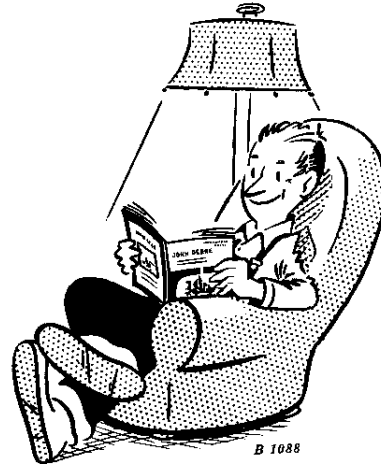
To the purchaser

Your new BF or BFT Finishing Harrow is sturdy and dependable. It will give long and efficient service if given proper care and operation.

This operator's manual contains information on the proper operation, adjustment, and lubrication of your new finishing harrow.

When in need of parts, see your John Deere dealer. He will furnish genuine John Deere Parts and prompt and efficient service in the field or in the shop.

Right-hand and left-hand reference is determined by standing at the rear of the harrow and facing the direction of travel.



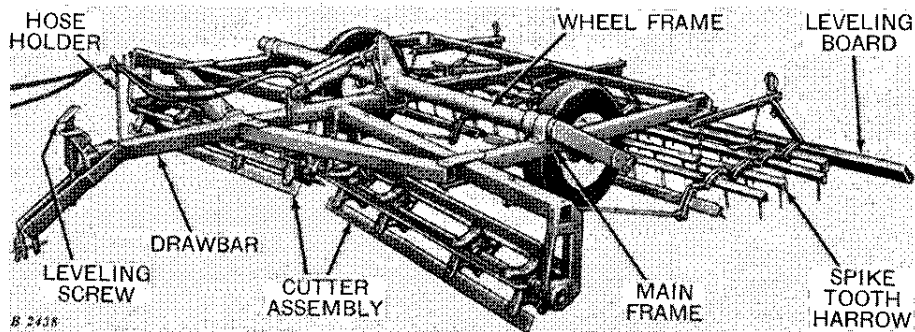
Study this manual carefully. Keep it handy, in a safe place, for future reference.

JOHN DEERE BF OR BFT FINISHING HARROW

Date Purchased

Contents

	Page
IDENTIFICATION VIEWS	1-2
SPECIFICATIONS	2
OPERATION	3-5
Hydraulic Control	3
Attaching and Detaching From Tractor	3
Transporting	3-4
Level Screw Adjustment	5
Depth of Penetration	5
SAFETY SUGGESTIONS	6
LUBRICATION	7
ASSEMBLY	8-13



John Deere 4-Row BF Finishing Harrow

Specifications

The John Deere BF Finishing Harrow is a four- or six-row, heavy-duty, rigid, wheel-carried harrow consisting of cutter blade assemblies, a spike-tooth harrow and a leveling board. It is designed for preparing seedbeds.

The John Deere BFT Finishing Harrow is similar to the BF except that a spring-tooth harrow assembly is used instead of cutter blades.

Either the BF or BFT Finishing Harrows can be used with John Deere Tractors equipped with a remote hydraulic cylinder, or any other tractor using a remote hydraulic cylinder that conforms to ASAE-SAE standards.

Upper and lower cushion springs are provided to absorb shocks encountered when working and trans-

porting. The lower spring also acts as a leveling spring, which compresses when working and extends when the harrow is raised, thus providing a parallel lift for more transport clearance.

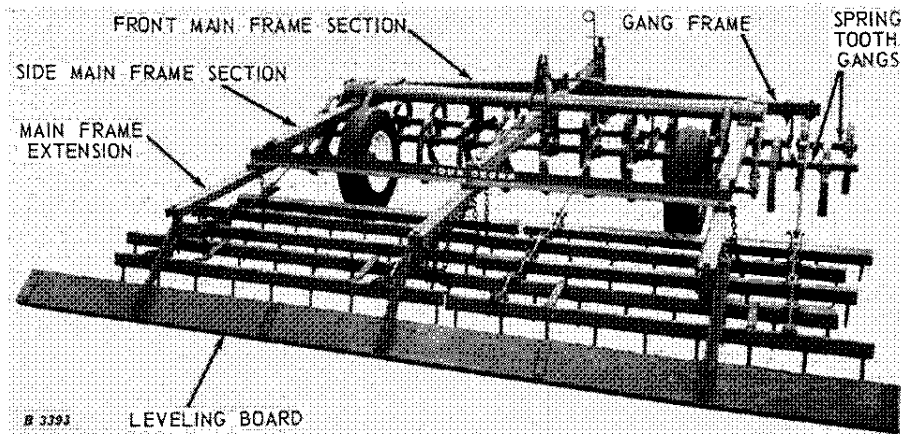
Depth of penetration—Controlled by raising or lowering the carrying wheels with the remote hydraulic cylinder.

Leveling—Adjusting the hand screw on the harrow drawbar levels the harrow for various tractor drawbar heights.

Carrying wheels—14-inch wheels with automotive type adjustable tapered roller bearings. Wheel tread is 80 inches.

Bearings—Anti-friction bearings in the cutter blade assembly.

(Specifications and design subject to change without notice.)



John Deere 4-Row BFT Finishing Harrow

Operation

Hydraulic control

The BF or BFT Finishing Harrow can be used with John Deere Tractors equipped with a remote hydraulic cylinder or any other tractor using a remote cylinder that conforms to ASAE-SAE standards.

Attaching to or detaching from the tractor

The harrow must be in the raised position before attaching it to or detaching it from the tractor drawbar.

Back the tractor up to the harrow, install the remote hydraulic cylinder on the harrow, and place the hoses in the hose holder. If the harrow is not in the transport position, raise it with the cylinder and attach the harrow drawbar to the tractor drawbar.

When detaching the harrow from the tractor, be sure the harrow is in the raised position and the remote cylinder hoses are disconnected before pulling the drawbar pin and driving the tractor away from the harrow.



CAUTION: Lock the tractor drawbar in a fixed position when transporting.

For best results when working the tractor drawbar should be free to swing.

Tire inflation

Inflate the harrow tires to 30 psi. Refer to tractor operator's manual for tire inflation pressure for tractor tires.

Transporting



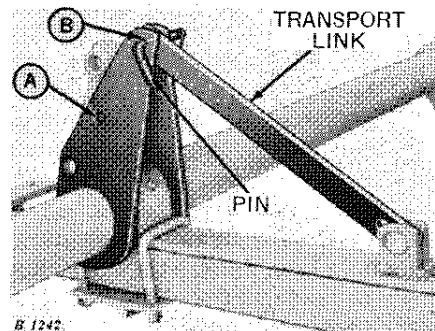
CAUTION: When transporting the finishing harrow on a road or highway at night or during the day, use accessory lights and devices for adequate warning to the operators of other vehicles. In this regard, check local governmental regulations. Various safety lights and devices are available from your John Deere dealer.



Lock the tractor drawbar in a fixed position when transporting the harrow. Do not transport the harrow over 12 miles per hour on a smooth surface road, and reduce the speed considerably when traveling over rough ground.

Transport link

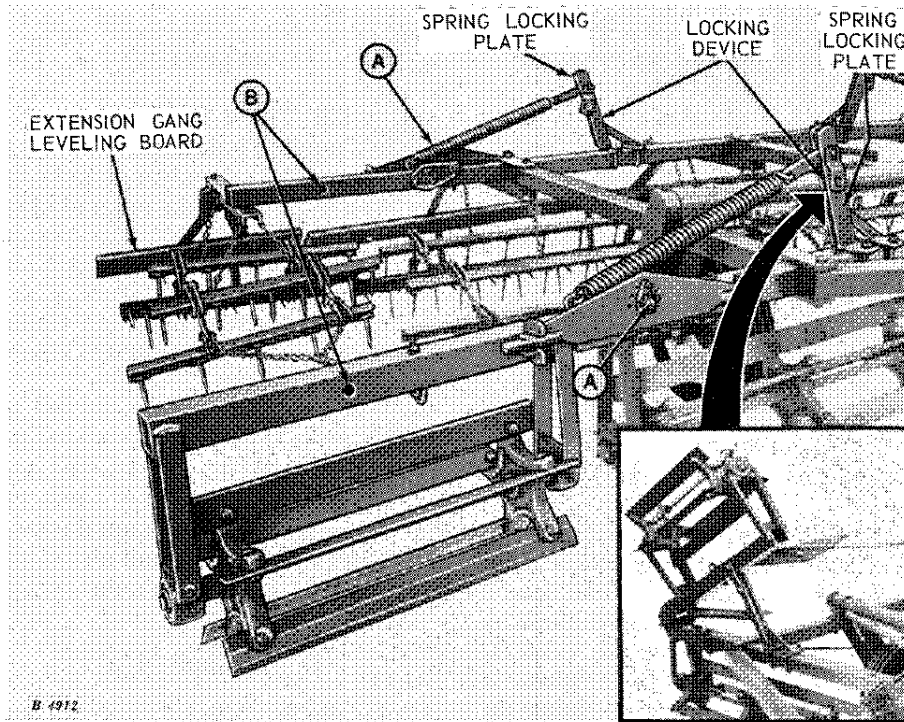
The transport link is used to hold the harrow in a raised position for transporting or storage when the hydraulic cylinder is removed.



To put the harrow in transport position: (1) Fully extend the remote hydraulic cylinder, (2) Remove the pin from hole "A," line up the slotted hole in the end of the transport link with hole "B," and install the pin. The cylinder can then be removed, and the harrow will stay in the raised position.

4 Operation

Transporting—Continued



Remove extension locking bars from locking position "A" on front and rear gangs. Install extension locking bars in hole "B" in the front and rear extension gangs. With the aid of the extension locking bar, raise the front extension gang and fold it over against the spring attaching plate. Using the rear extension gang leveling board, raise the rear gang and fold it over against the spring attaching plate. Secure the extension gangs in transport position with the safety strap and quick-lock pin.

NOTE: The above procedure applies to both BF and BFT Finishing Harrows with extension gangs.



CAUTION

1. Extension gangs have spring lift. Stand clear when folding for transport.

2. Always secure extension gangs in transport position with locking device.

Thank you so much for reading.
Please click the “Buy Now!”
button below to download the
complete manual.



After you pay.

You can download the most
perfect and complete manual in
the world immediately.

Our support email:

ebooklibonline@outlook.com