

694A, 695A AND 894A CORN PLANTERS



JOHN DEERE

OPERATORS MANUAL 694A, 695A AND 894A CORN PLANTERS

OMB25391 E7 English

OMB25391 E7

LITHO IN THE U.S.A.
ENGLISH



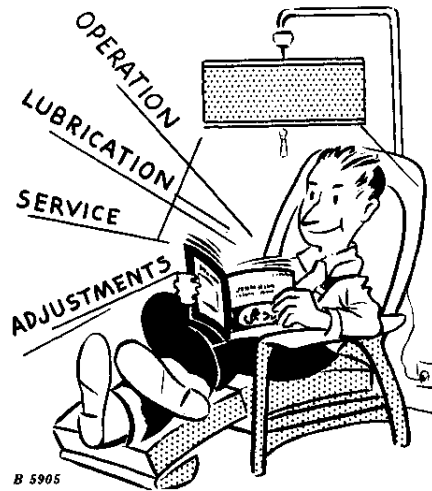
TO THE PURCHASER

Your new Planter is sturdy and dependable. It will give long and efficient service if given proper care and operation.

This operator's manual is provided to furnish information on the proper operation, adjustment, maintenance, and lubrication of the 694A, 695A and 894A Planters. Generally, instructions apply to all planters. However, where instructions apply specifically to only one machine, the information is included in the heading.

When in need of parts, see your John Deere dealer. He will furnish genuine John Deere Parts and prompt and efficient service in the field or in the shop.

Right-hand and left-hand reference is determined by standing at the rear of the planter and facing the direction of travel.



Study this manual carefully. Keep it handy, in a safe place, for future reference.

694A, 695A or 894A Corn Planter

Check off model of your planter, special equipment obtained, and record date purchased.

Model:

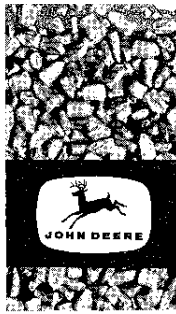
- 694A—Hill-Drop with runner openers . . .
- 694A—Hill-Drop with disk openers . . .
- 694A—Drill with runner openers . . .
- 694A—Drill with disk openers . . .
- 695A—with runner openers . . .
- 695A—with disk openers . . .
- 894A—Drill with runner openers . . .
- 894A—Drill with disk openers . . .

Fertilizer Attachment:

- Dry . . .
- Liquid . . .
- Gauge Shoes . . .
- Trash Kickers . . .
- Press Wheel Scrapers . . .
- Press Wheel Bands . . .
- Rubber Press Wheel Tires . . .

Double-Disk Furrowers:

- 9-inch . . .
- 11-inch (694A or 695A only) . . .
- 12-inch (694A or 695A only) . . .
- Covering Knives . . .
- 8-Inch Disk Coverers . . .
- Seed Packer Wheels . . .
- Minimum Tillage Attachment . . .
- Compaction Seed Runner . . .
- 14-Inch Double-Disk Seed Opener (Anti-friction bearings) . . .
- Pea and Bean Attachment . . .
- Insecticide Attachment . . .
- Wide Band Insecticide Spreader . . .
- Pre-Emergence Sprayer . . .
- Granular Herbicide . . .
- Four Carrying Wheels . . .
- Row Leveling Blades . . .
- Date Purchased . . .



CONTENTS

	Page		Page
IDENTIFICATION VIEW	2	ATTACHMENTS—Continued	
SPECIFICATIONS	2-3	Compaction seed runner	43
OPERATION	4-24	8-Inch disk coverers with anti-friction bearings	43
Preparing the tractor	4	Hitch extension	43
Preparing the planter	4-7	Minimum tillage attachment	44
Transporting	8-10	Row leveling blades	44
Hitching planter to tractor	10-11	Gauge shoes	45
Marker lift chains	11	Pea and bean attachment	45
Markers	11-12	Four carrying wheels	45
Planting depth	12	Wide band insecticide spreader	46
Hill-Drop planting - 694A Planter only	13-14	Shield for wide band insecticide spreader	46
Drill planting - 694A and 894A Planters only	15-17	SAFETY SUGGESTIONS	47
Hill-Drop or drill planting - 695A Planter only	18-21	LUBRICATION	48-50
Soybean charts	22	SERVICE	51-59
Maize charts	23-24	At the beginning of the season	51
ATTACHMENTS	25-46	At the end of the season	51
Fertilizer attachments	25-34	Storing planter	51
Press wheel scrapers	35	Runner alignment	52
Fenders for the insecticide and/or herbicide attachments	35	Rockshaft bearings	53
Granular herbicide attachment	35-38	Drill shaft pins	53
Insecticide attachment	39-41	Double-disk fertilizer openers and double-disk seed openers with anti-friction bearings	53
Trash kickers	41	Timing the planter	54
14-Inch double-disk openers	41	Valve adjustment - 694A Planter only	55
Rubber press wheel tires	42	Valve adjustment - 695A Planter only	56-58
Press wheel bands	42	Ratchet drive	58
Double-disk furrowers and covering knives	42	Causes for common difficulties encountered with planting	59
Seed packer wheel - 694A and 894A Planters only	43		



SPECIFICATIONS

TYPES—

- 694A 6-Row Hill-Drop or Drill Corn Planter.
- 694A 6-Row Drill Corn Planter.
- 695A 6-Row Hill-Drop or Drill Corn Planter.
- 894A 8-Row Drill Corn Planter.

OPENERS—

- Runner openers - regular.
- 14-inch double-disk openers with anti-friction bearings - optional.

ROW SPACING—

- 694A or 695A Planter - 36, 38, or 40 inches.
- 894A Planter - 30 inches only.

TYPE OF LIFT — Remote hydraulic cylinder.

TYPE OF DRIVE — Sprocket and chain from ground wheels.

SEED HOPPERS — 1-1/5 bushel capacity, with seed gauges.

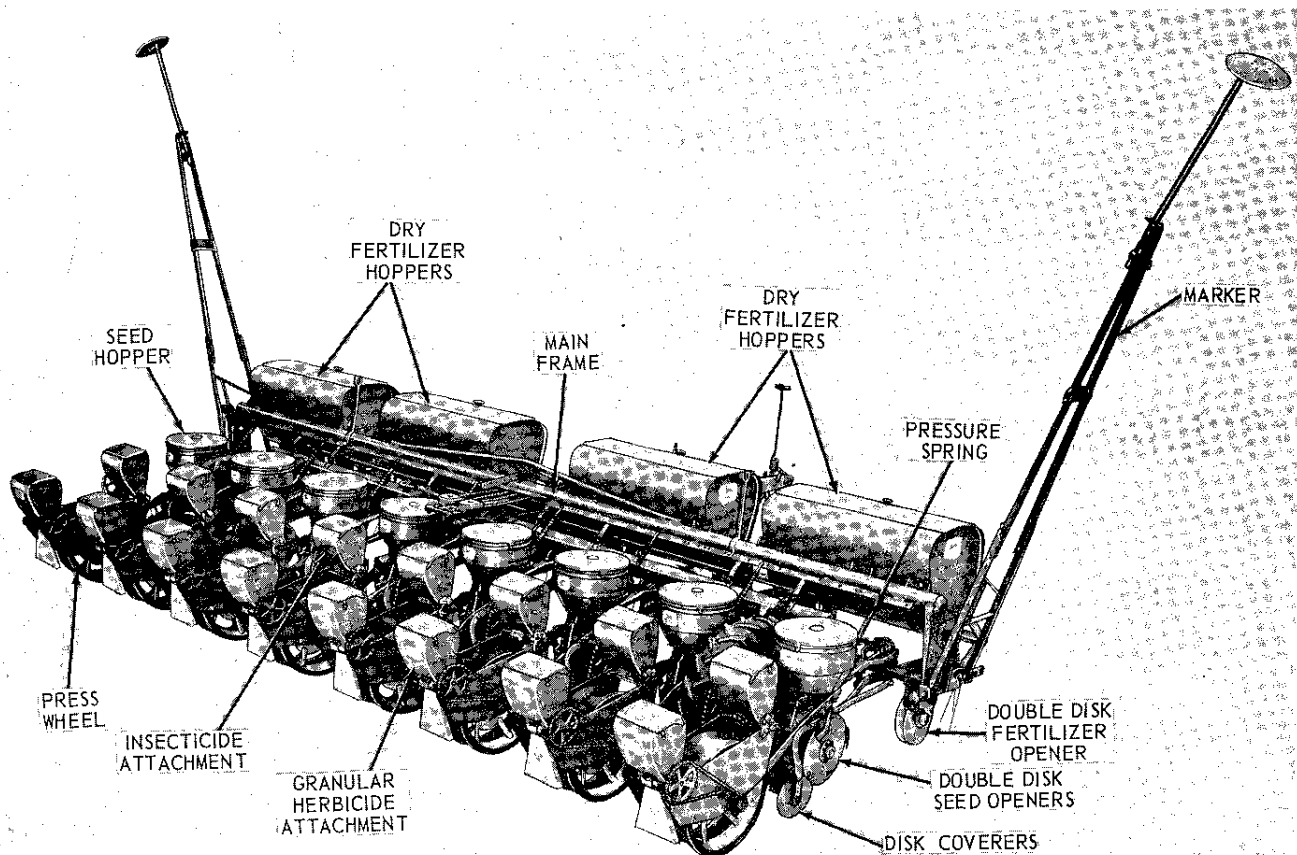
PRESS WHEELS — 18-inch press wheels that can be equipped with scrapers and/or press wheel bands, or zero pressure rubber press wheel tires.

MARKERS — Disk-type — automatically raise and lower when the planter is raised or lowered.

OVER-ALL TRANSPORT WIDTH — Approximately 8 feet.

PLANTING UNITS — Each unit individually mounted for maximum flexibility.

PLANTING DEPTH — Controlled by press wheel on each planting unit.



B 3848

894A Corn Planter with Dry Fertilizer, Granular Herbicide And Insecticide Attachments

DRY FERTILIZER ATTACHMENT--

Auger feed.

Capacity -

694A or 695A Planter - approximately 1350 pounds.

894A Planter - approximately 1800 pounds.

Openers - runner or double-disk.

LIQUID FERTILIZER ATTACHMENT--

Gravity feed.

Capacity - approximately 2000 pounds.

Openers - runner or double-disk.

FERTILIZER VALVES -- Available for the 694A Hill-Drop or 695A Planter equipped with dry or liquid fertilizer attachment.

NOTE: Planter must be equipped with double-disk openers when using valves with the liquid fertilizer attachment.

FERTILIZER VALVE TIMERS -- Available for the 694A Hill-Drop Planter or 695A Planter equipped with dry or liquid fertilizer attachment. They are not required when hill-dropping 19 or 38 inches with the 694A Hill-Drop Planter. To valve the fertilizer with the 695A Planter, the valve timers must be used. The fertilizer valve action is regulated with the timer so that the fertilizer band is placed in proper relation to the hill.

PEA AND BEAN ATTACHMENT -- Available for planting peas or beans in the row with the corn.

ROW LEVELING BLADES -- Spring controlled blades which mix either granular or sprayed herbicide in the soil from the surface to a depth of approximately 1/2 inch, depending on soil types and conditions. It is advisable to use covering disks or covering knives with the levelers to insure adequate loose soil in the banded herbicide area.

TRASH KICKER -- Will push aside small stones and trash ahead of the runner.

COMPACTION SEED RUNNER -- The compaction seed runner will make a wider seed trench which results in a more uniform planting depth and more uniform germination.

FOUR CARRYING WHEELS -- The four carrying wheels are available for use in soil conditions where it is desirable to have more flotation when planting.

GAUGE SHOE ATTACHMENT -- 7-1/2-inch gauge shoes are available for loose ground conditions.

DOUBLE-DISK FURROWING ATTACHMENT -- 9-, 11-, or 12-inch furrower available for planting the seed in shallow furrows. 11- and 12-inch disk furrowers cannot be used on the 894A planter.

COVERERS -- Knife or disk coverers are available for more positive seed coverage.

INSECTICIDE ATTACHMENT -- Will apply insecticide in the row with the seed at the time of planting.

PRE-EMERGENCE SPRAYER -- Will apply liquid herbicide over the row at the time of planting. The 22 or 25A Sprayer may be used for pre-emergence spraying.

GRANULAR HERBICIDE ATTACHMENT -- Available for applying granular herbicide over the row at the time of planting.

SEED PACKER WHEEL -- 694A and 894A planters only. Will press the seed against the moist soil in the bottom of the furrow.

MINIMUM TILLAGE ATTACHMENT -- This attachment decreases tillage operations prior to planting. It smooths out the seed bed and assures a more uniform planting depth. Covering knives or disk coverers are recommended to be used in conjunction with the minimum tillage attachment.

(Specifications and design subject to change without notice.)



OPERATION

PREPARING THE TRACTOR

The tractor must be equipped with an 8-inch stroke remote hydraulic cylinder that conforms to ASAE-SAE standards.

On tractors with an adjustable drawbar, place the drawbar approximately 15 inches from the ground and bolt it in the center of the tractor.

If possible, set the tractor rear wheels, center to center of tread and equal distance from center line of tractor, as follows:

Row Width	Tractor Rear Wheel Tread
30 Inches	60 Inches
36 Inches	72 Inches
38 Inches	76 Inches
40 Inches	80 Inches

If this cannot be done it is best to adjust the tractor rear wheels so the planter wheels run entirely out of the tractor wheel tracks.

PREPARING THE PLANTER

LUBRICATION

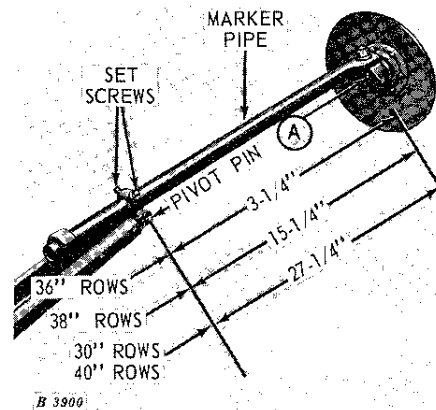
Consult the lubrication charts on pages 48, 49, and 50 for guidance in lubricating your planter.

Regular and systematic lubrication is the best assurance against breakdowns and delays. It will help you get better service from your corn planter and save on your maintenance costs.

TIRE INFLATION

Inflate 7.50 x 18 traction-type tires to 24 psi of air pressure and 5.70/5.00 x 8 to 55 psi of air pressure.

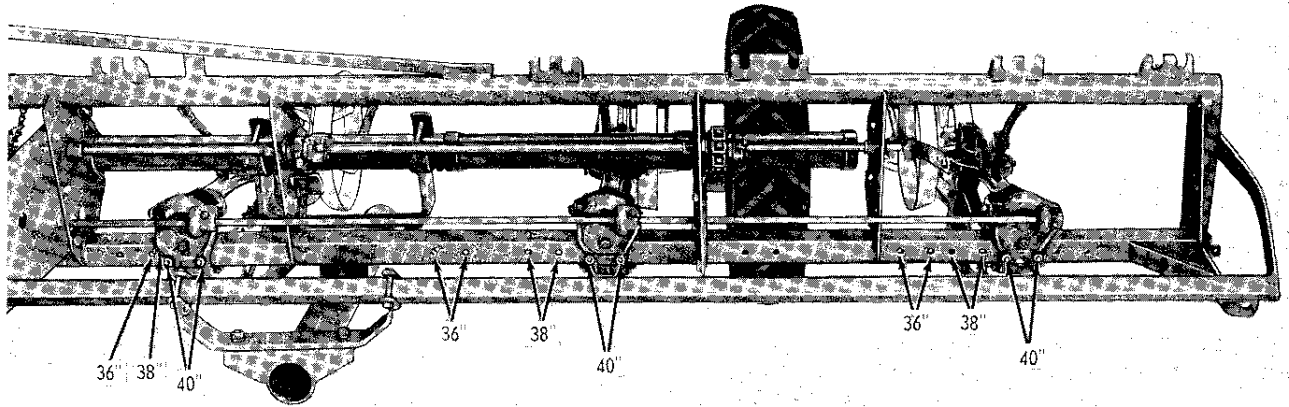
MARKERS



The markers on the planter are adjustable for 30-, 36-, 38-, or 40-inch row widths.

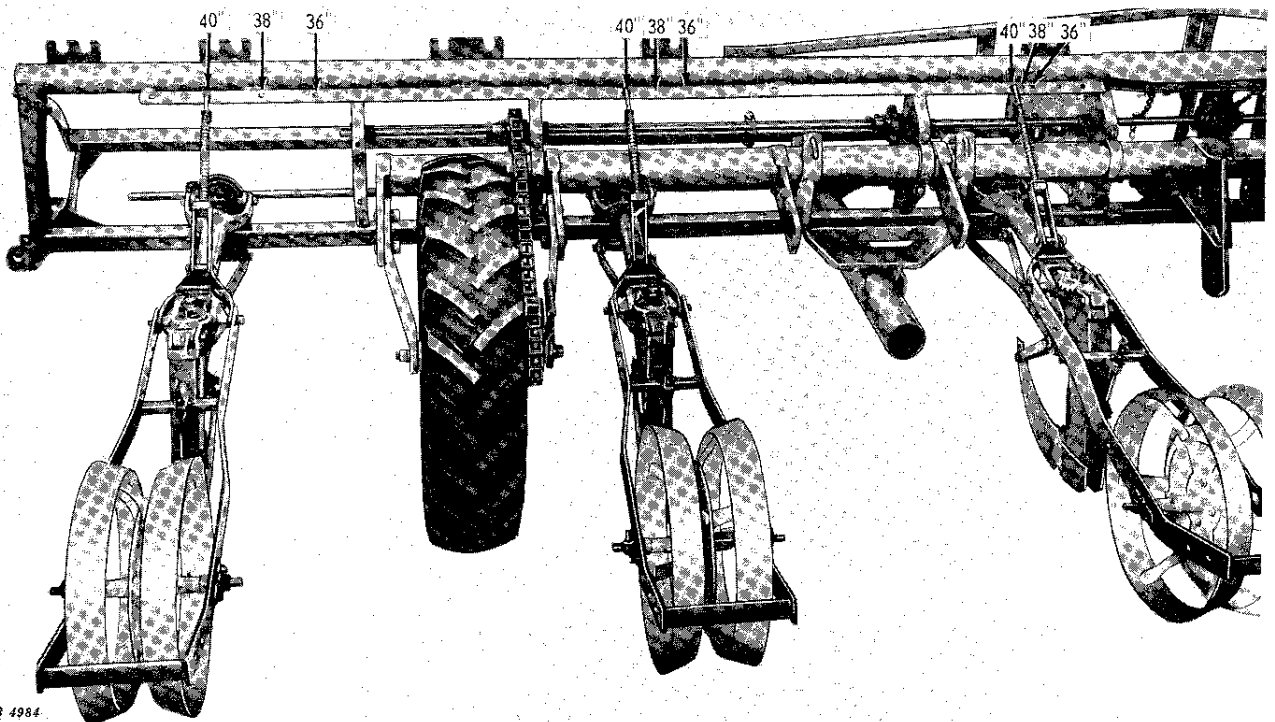
The marker illustrated is actually set for either 30 or 40-inch row widths. To change the markers for other row widths, loosen the two set screws in each marker so the marker pipes will slide. The distance between the bottom edge of the disk and the pivot pin determines the marker setting. For 40-inch row widths the distance must be approximately 27-1/4 inches, for 38-inch row widths the distance must be approximately 15-1/4 inches, for 36-inch row widths the distance must be approximately 3-1/4 inches and for eight 30-inch rows the distance must be approximately 27-1/4 inches. Turn each marker pipe so bracket "A" is in position as illustrated. Tighten set screws securely to hold markers in place.

ROW WIDTHS—694A AND 695A ONLY



B 4983

Front Sill Bar Brackets - Set for 40-Inch Row Widths



B 4984

Rear Pressure Spring Rods Set for 40-Inch Row Widths

The planters are assembled for 40-inch row widths, as illustrated. To change the row widths proceed as follows:

Lower the planter until the runners rest on the floor. Remove the bolts holding the sill bar brackets to the main frame.

Remove the cotter pins holding the pressure spring rods to the main frame.

On the 694A Planter only, loosen the bolts in the valve rod trip arms.

Move the planting units, the valve rod trip arms (694A only), and the spring rods to the desired row widths.

Bolt the sill bar brackets to the main frame and replace the cotter pins in the pressure spring rods.

On the 694A Planter only, tighten the valve rod trip arm bolts, and check the valve adjustments as explained on page 55.

6 Operation

SEED PLATES

The selection of the seed plates is one of the most important steps in preparing the planter for the field.

There is a great variety of John Deere seed plates available in various cell sizes and number of cells.

Growing conditions change from year to year, and the size of the seed will also vary. Therefore, it is quite likely that different seed plates are required to plant the same variety of seed from year to year.

There are two ways to select seed plates. One way is to follow the recommendations of the seed supplier, if available. The other way is to take a sample of the seed to be planted to a John Deere dealer and let him run the seed through his John Deere seed plate selector stand.

In either case the accuracy of the seed plate selected should be checked when installed in your planter and operated at the planting speed you intend to travel. The best check is to plant a short distance, at the desired planting speed, and then stop and dig up the hills of corn to determine the actual planting rate.

The planting speed is very important in determining which seed plate to use. The planting rate is determined by the cell fill of the seed plate. The faster the planter is operated the faster the seed plate revolves. Therefore at faster planting speeds it may be necessary to use seed plates with slightly longer cell length to obtain the proper cell fill for the planting rate that is desired.

A 24-cell seed plate revolves at a slower rpm than a 16-cell seed plate, the result being better cell fill at the same planting speed. It is therefore recommended that a 24-cell seed plate be used in all cases when available for hill-drop or drill planting.

NOTE: Due to the fact that a 24-cell seed plate revolves at a slower rpm than a 16-cell seed plate, a 24-cell seed plate will plant at a heavier rate than a 16-cell seed plate with the same cell size at a given drilling or hill-droping distance and planting speed. The recommended planting speeds on pages 14, 17 and 20 take this into consideration for both 16- and 24-cell plates.

The following is a list of the most popular corn plates available with 16 and 24 cells.

Plates for Flat Kernels of Corn		
16-Cell	24-Cell	Kind of Corn
H697B	H2571B	Extra small corn
H694B	H1302B	Small corn
H1572B	H2711B	Small slender corn
H695B	H950B	Medium corn
H2156B	H2594B	Long thick corn
H696B	H2836B	Large corn
H2504B	H2848B	Medium flat slurry treated corn
H2503B	H2847B	Large flat slurry treated corn
B12498B	Extra large flat slurry treated corn

Plates for Round Kernels of Corn		
16-Cell	24-Cell	Kind of Corn
H2295B	Extra small round corn
H2043B	H2824B	Small round corn
H1933B	B10853B	Medium round corn
H2044B	H2712B	Large round corn
H2820B	Extra large round corn

The following is a list of the soybean plates and the edible bean plates:

Plates for Soybeans		
20-Cell		
H 1255 B		
H 2527 B (Use with H1279B Floor Plate)		
Plates for Edible Beans		
16-Cell	20-Cell	24-Cell
H 1324 B	H 1300 B	H 1301 B
H 1071 B	H 954 B	H 983 B
H 956 B	H 1315 B
.....	H 1258 B
.....	H 1254 B
.....	H 1255 B
.....	H 1084 B

It pays to be careful for your own sake!
 Accidents can...
 Pain
 Lame
 Maim
 and cost you money!

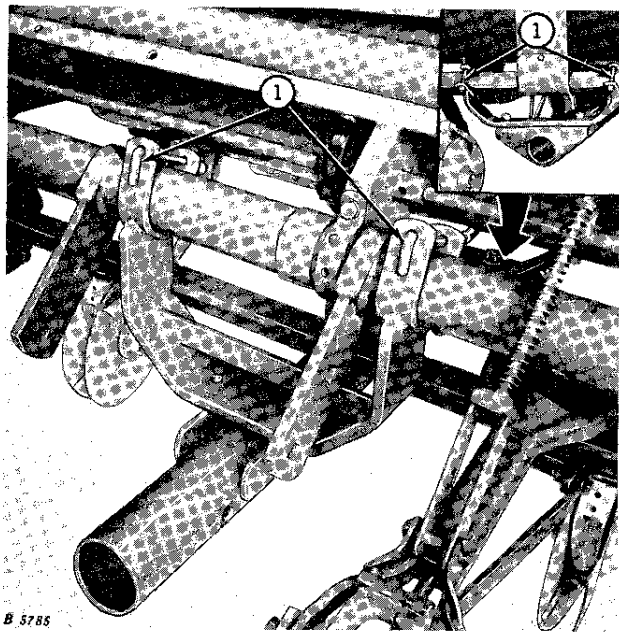
The following is a partial list of seed plates which require a special false ring or floor plate, or the regular floor plate turned over:

Seed Plate No.	No. of Cells	Kind of Seed
uH 779B	16	Popcorn
uH 780B	16	Medium country gentleman sweet corn
uH 961B	16	Spanish corn and small popcorn
uH 963B	16	Large country gentleman sweet corn
uH 964B	16	Small sweet corn, small sunflower seed
uH1238B	16	Medium shoe peg corn
uH1239B	16	Medium sweet corn, large sunflower seed
uH1240B	16	Extra small country gentleman tapered sweet corn
kH1262B	16	Cantaloupes and cucumbers
oH1263B	16	Beet seed (thin plate)
oH1316B	16	Extra small round corn
sH1322B	16	Extra, extra small corn
sH1345B	16	Small round corn
sH1352B	16	Extra small narrow corn
nH1353B	16	Tomato seed (machined plate)
uH2505B	16	Popcorn
uH2671B	16	Popcorn
uH2709B	16	Popcorn
nB27768	16	Maize and grain sorghum
uH 781B	20	Popcorn
pH2527B	20	Soybeans—heavy planting
sH2672B	24	Maize and grain sorghum
uB27783	24	Maize and grain sorghum
nH1256B	25	Onion seed (machined)
nB27769	32	Maize and grain sorghum
uH 776B	..	Blank plate 5/32" thick (holes can be drilled up to 1/4")
kH1211B	..	Blank plate 5/32" thick (cells can be filed in edge)
nH1259B	..	Blank plate 5/32" thick (machined)
uN2469	54	Maize and grain sorghum

- k Use with Y3313B False Ring
- n Use with AH306B Floor Plate and Y5055B False Ring
- o Use with H1264B Floor Plate
- p Use with H1279B Floor Plate
- s Use with H1323B Floor Plate
- u Use with Y2630B False Ring or H1346B Floor Plate

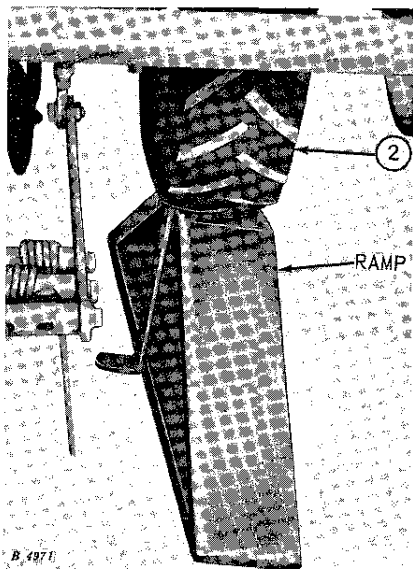
TRANSPORTING

WITH TRANSPORT WHEELS AND HITCH

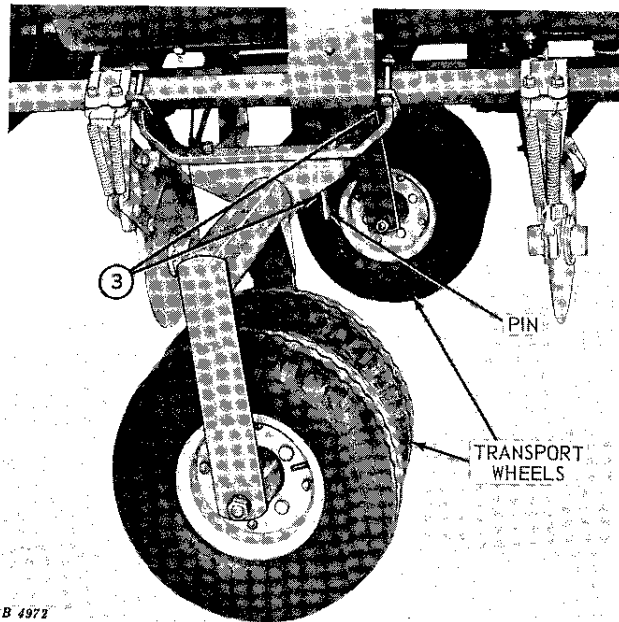


1. Install transport wheel bracket on the 694A or 695A Planter wheel frame and fertilizer support as shown above.

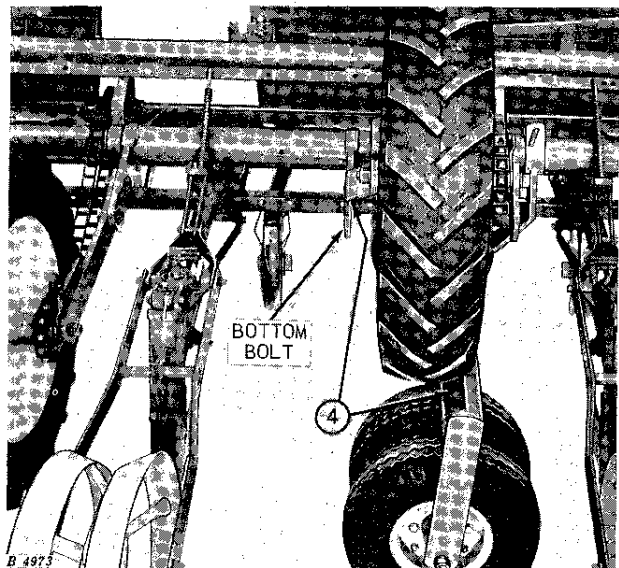
NOTE: Locate the transport wheel bracket between the fifth and sixth planting unit from the transport hitch on the 894A Planter.



2. Raise the planter, place the ramp in front of the left-hand ground wheel and drive forward until the wheel is centered on top of the ramp.



3. Insert the transport wheels in the transport bracket and secure the wheels in place with the pin and Quik-lock pin.



4. When attaching transport wheels to a 694A or 695A Planter equipped with four carrying wheels, remove bottom bolt from each wheel frame of the third wheel from the transport hitch. Lift wheel up, insert transport wheels, and lower carrying wheel frame.

Thank you so much for reading.
Please click the “Buy Now!”
button below to download the
complete manual.



After you pay.

You can download the most
perfect and complete manual in
the world immediately.

Our support email:

ebooklibonline@outlook.com