

**NO. 100C ONE-ROW SIDE  
DRESSING ATTACHMENT  
FOR M100 & NO. 4100  
CULTIVATOR USED ON  
MODELS "M" AND "40"  
STANDARD TRACTOR**



**JOHN DEERE**

**OPERATORS MANUAL**

NO. 100C ONE-ROW SIDE DRESSING  
ATTACHMENT FOR M100 & NO. 4100  
CULTIVATOR USED ON MODELS "M" AND "40"  
STANDARD TRACTOR

OMB38253 (01FEB53) English

**OMB38253 (01FEB53)**

LITHO IN THE U.S.A.  
ENGLISH



## TO THE PURCHASER

The purpose of this manual is to acquaint you with the operation and service of your new No. 100C Side-Dressing Attachment.

The successful operation of your No. 100C Side-Dressing Attachment, which is designed to give you many years of satisfactory service, depends on the care given it and how it is operated. This manual contains all the information you need to get top performance from the machine. Study the manual carefully. Make it your guide. Refer to it often.

At some future date, your No. 100C Side-Dressing Attachment may need service not covered by this manual. At that time, we suggest you take advantage of the facilities offered by your John Deere dealer. He has trained mechanics, who have the latest information on John Deere service, and can give you prompt "know-how" service in the field or shop.

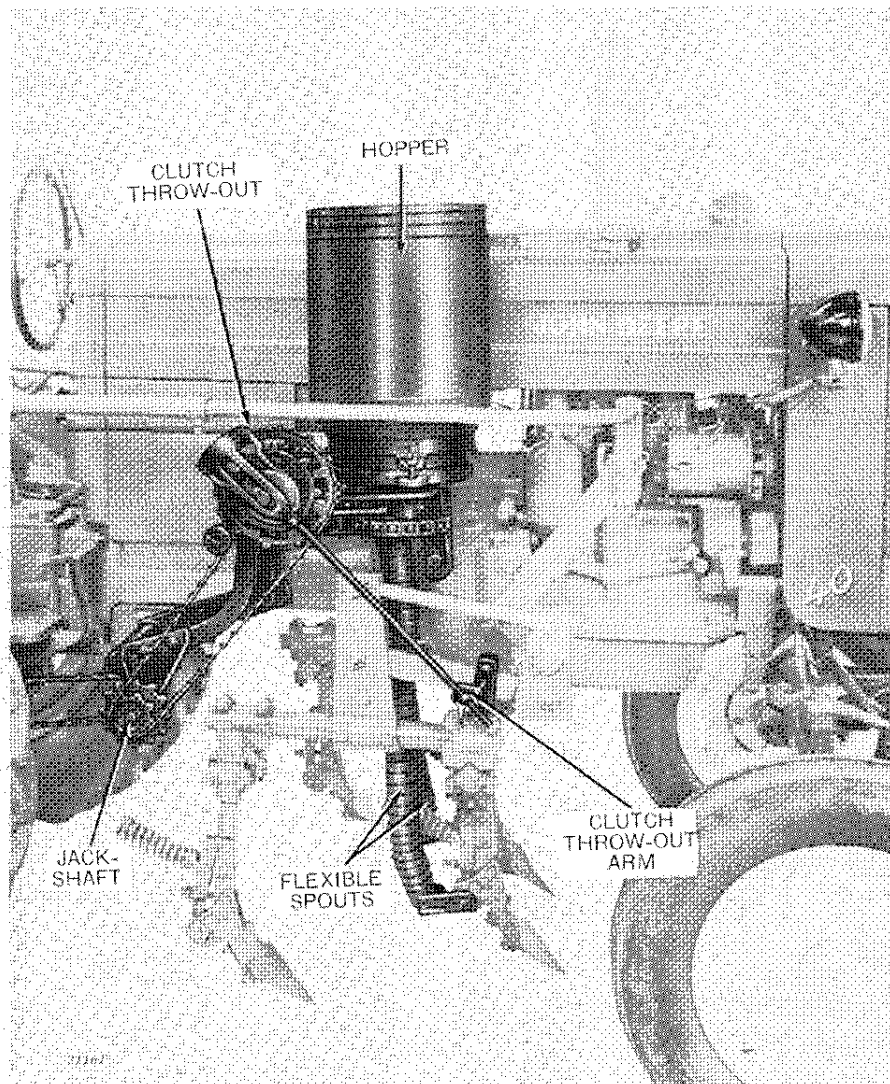
When in need of parts, go to your John Deere dealer for genuine John Deere parts. For prompt service, give him the correct part number, a complete description of the part, the model of the machine, and the year purchased. Record the date purchased in the space below for handy reference.

### Identification Information.

My John Deere No. 100C Side-Dressing Attachment was  
purchased .....

## TABLE OF CONTENTS

	<i>Page</i>
Operation.....	2
Lubrication.....	2- 3
Assembly.....	4- 7
Parts List.....	8-13



*Figure 1—No. 100C Side-Dressing Attachment*

## OPERATION

The fertilizer drive is automatically thrown out of gear when the cultivator is raised. The drive is automatically engaged again when cultivator is lowered. The fertilizer drive can be disengaged by removing the fertilizer drive chains. These chains can be removed without taking them apart by merely holding the chain idlers out of the way.

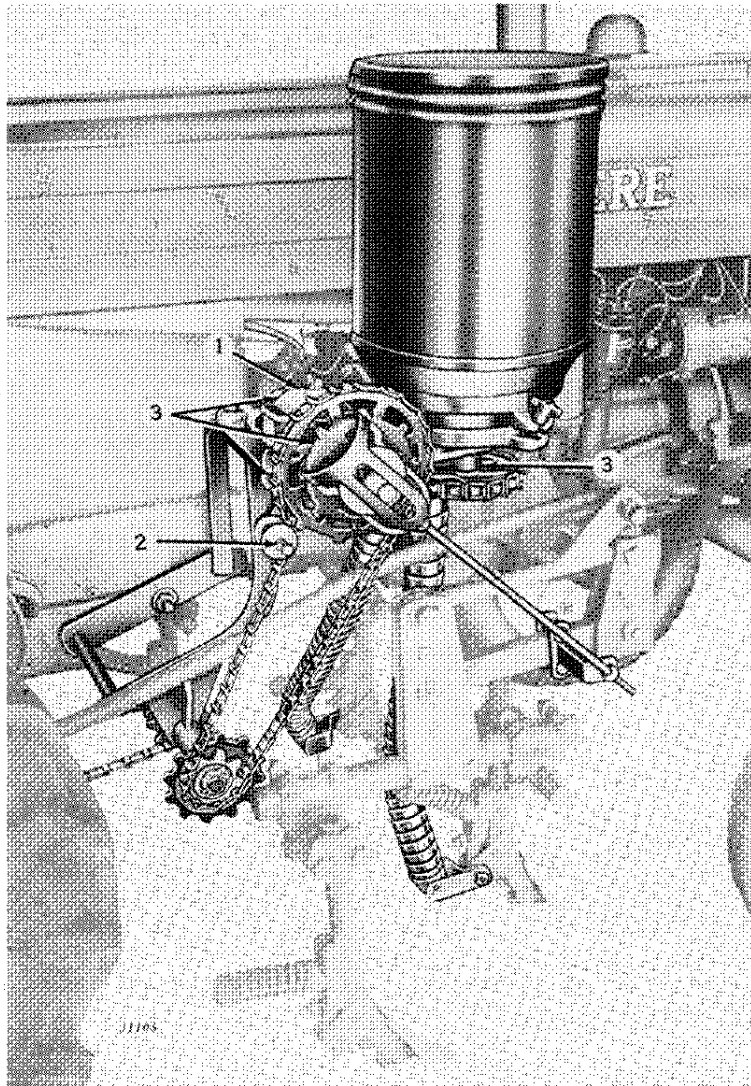
**Regulation of Quantity:** The quantity of fertilizer distributed is regulated by opening or closing the feed gate by means of nuts on the adjusting rod attached to the feed gate. This control is very sensitive so that very little movement of the feed gate will make a considerable change in the amount of fertilizer applied. Changing drive chains to different sprockets will also affect fertilizer feed. For best results, when side dressing, run fertilizer drive as slowly as possible by using the small jackshaft sprocket and the large sprocket on drill shaft. The amount of fertilizer should be controlled by the feed gate opening. If large enough quantities cannot be put out with this sprocket combination it will be necessary to use a faster combination. To get desired combination it may be necessary to remove cotter and reverse position of double sprocket on jackshaft.

## IMPORTANT

Clean fertilizer hopper daily to insure satisfactory operation and long life. When through fertilizing for the season, clean thoroughly and, if possible, paint inside of fertilizer cans.

## LUBRICATION

1. Gear case should be half-filled with a good grade of pressure-gun grease.
2. Oil chain idler bearing.
3. Apply grease with pressure gun through grease fittings on bottom plate bearing of hopper and drive shaft bearings on each side of gear case.

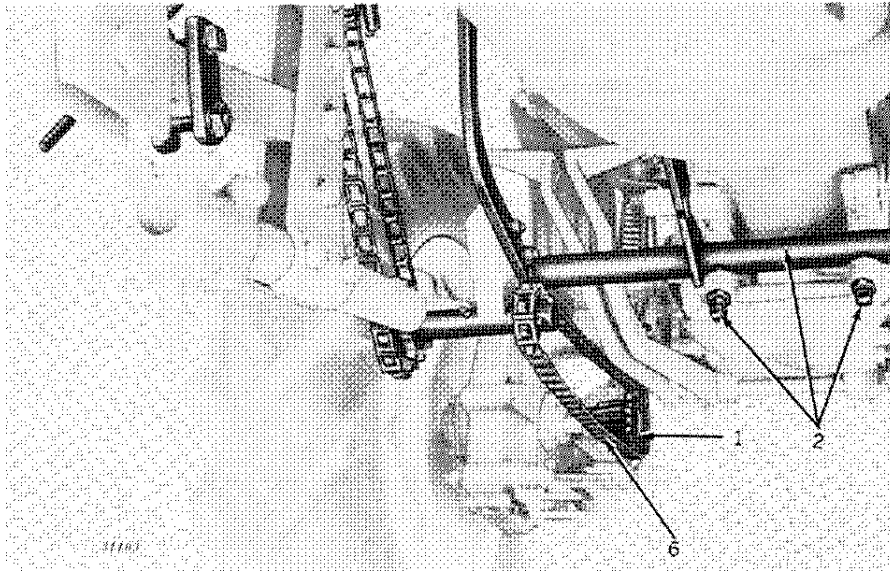


*Figure 2—Lubrication*

## ASSEMBLY

### Shipping Bundles

- 1—Bundle No. 3706-B Hopper Support
- 1—Bundle No. 3013-B Fertilizer Hopper
- 1—Bundle No. 3708-B Fertilizer Side-Dressing Drive
- 1—Bundle No. 3018-B Side-Dressing Spouts



*Figure 3*

Install the stub axle inside of right axle housing of tractor according to instructions shipped with stub axle.

1. Attach drive sprocket on stub axle as shown. Be sure the hollow head set screws are inserted in the depressions in axle.

2. Attach hopper support bracket. Loosen set screws and slide shaft of hopper support into tractor as shown. Do not tighten set screws until next step is completed.

Thank you so much for reading.  
Please click the “Buy Now!”  
button below to download the  
complete manual.



After you pay.

You can download the most  
perfect and complete manual in  
the world immediately.

Our support email:

[ebooklibonline@outlook.com](mailto:ebooklibonline@outlook.com)