

Model "KBY" Lift-Type Disk Harrow



JOHN DEERE

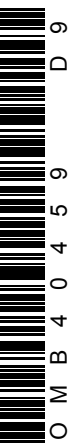
OPERATORS MANUAL

Model "KBY" Lift-Type
Disk Harrow

OMB40459 D9 English

OMB40459 D9

LITHO IN U.S.A.
ENGLISH



TO THE PURCHASER

Your new Model "KBY" Disk Harrow is sturdy and dependable. It will give long and efficient service if given proper care and operation.

This Operator's Manual is provided to furnish information on the proper operation, adjustment, maintenance, and lubrication of your new disk harrow. A parts list, with illustrations, is provided.

When in need of parts, see your John Deere dealer. He will furnish genuine John Deere Parts and prompt and efficient service in the field or in the shop.

Right-hand and left-hand reference is determined by standing at the rear of the disk harrow and facing the direction of travel.



Study this manual carefully. Keep it handy, in a safe place, for future reference.

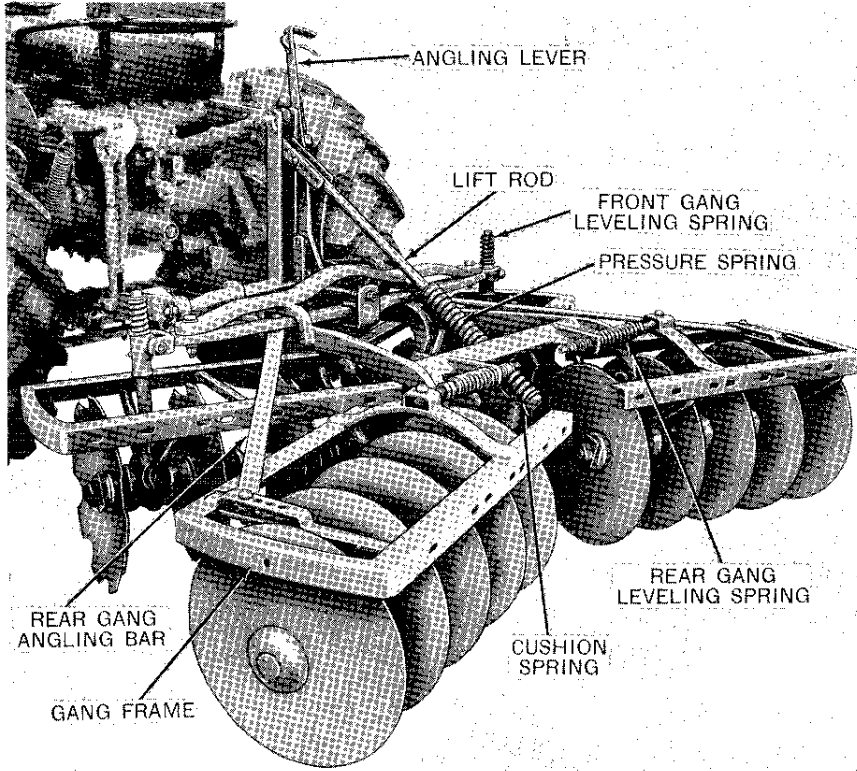
JOHN DEERE MODEL "KBY" DISK HARROW	
<p>Check off size of your disk harrow, disk blade size, hitch adapter, special equipment obtained, and record date purchased. This information will be valuable whenever ordering parts.</p>	<p>Furrow Leveling Blade <input type="checkbox"/></p>
<p>Size</p>	<p>Blade Size</p>
<p>6-Ft. 9-1/2-In. Spacing <input type="checkbox"/></p>	<p>18-In. <input type="checkbox"/></p>
<p>6-Ft. { 9-1/2-In. Spacing Front <input type="checkbox"/></p>	<p>18-In. Heavy Duty <input type="checkbox"/></p>
<p>7-1/8-In. Spacing Rear <input type="checkbox"/></p>	<p>20-In. <input type="checkbox"/></p>
<p>6-Ft. 7-1/8-In. Spacing <input type="checkbox"/></p>	<p>Hitch Adapter, for:</p>
<p>7-Ft. <input type="checkbox"/></p>	<p>"430," "420," or "40" Tractors <input type="checkbox"/></p>
<p>8-Ft. <input type="checkbox"/></p>	<p>"530," "630," "730," "520," "620," or "720" Tractors <input type="checkbox"/></p>
<p>9-Ft. <input type="checkbox"/></p>	<p>800 Series Hitch <input type="checkbox"/></p>
	<p>Date Purchased _____</p>

TABLE OF CONTENTS

	<i>Page</i>		<i>Page</i>
IDENTIFICATION VIEWS	2	Leveling	8-9
SPECIFICATIONS	3	Angling Gangs	10
OPERATION	4-12	Lateral Adjustment of Rear Gangs	11
Preparing the Tractor	4-6	Outside Furrow Leveling Blade	12
"430," "420," or "40" Series Tractors	4-5	Safety Suggestions	12
"530," "630," "730," "520," "620," or "720" Series Tractors	5-6	LUBRICATION	13
"50," "60," or "70" Tractors with 800 Series Hitch	6	MAINTENANCE SUGGESTIONS	13
Attaching Disk Harrow to Tractor	7	ASSEMBLY	14-21
Transporting	7	PARTS LIST	22-30



THE COMPLETE OBSERVANCE of one simple rule would prevent many thousand serious injuries each year. THAT RULE IS: "NEVER ATTEMPT TO CLEAN, OIL, OR ADJUST A MACHINE WHILE IT IS IN MOTION."



B 234

Model "KBY" 6-Foot Disk Harrow Mounted on a "430" Series Tractor

SPECIFICATIONS

The Model "KBY" Lift-Type Disk Harrow is a flexible, integral harrow available in 6-, 7-, 8-, and 9-foot sizes. The John Deere Tractors recommended for the various sizes of harrows are listed below:

Size	Disk Spacing	Disks per Gang	Size of Disk	John Deere Series Tractors
6'	9-1/2"	4	18"	430, 530, 630, 730, 420, 520, 620, 720, 40, 50, 60, or 70
6'	9-1/2"	4	20"	430, 530, 630, 730, 420, 520, 620, 720, 40, 50, 60, or 70
6'	7-1/8"	5	18"	430, 530, 630, 730, 420, 520, 620, 720, 40, 50, 60, or 70
6'	7-1/8"	5	20"	430, 530, 630, 730, 420, 520, 620, 720, 50, 60, or 70
6'	9 1/2" F. 7 1/8" R.	4	18"	430, 530, 630, 730, 420, 520, 620, 720, 40, 50, 60, or 70
6'		5		
6'	9 1/2" F. 7 1/8" R.	4	20"	430, 530, 630, 730, 420, 520, 620, 720, 50, 60, or 70
6'		5		
7'	7-1/8"	6	18"	530, 630, 730, 520, 620, 720, 50, 60, or 70
7'	7-1/8"	6	20"	530, 630, 730, 520, 620, 720, 60, or 70
8'	7-1/8"	7	18"	530, 630, 730, 520, 620, 720, 60, or 70
8'	7-1/8"	7	20"	530, 630, 730, 520, 620, 720, 60, or 70
9'	7-1/8"	8	18"	630, 730, 620, 720, 60, or 70
9'	7-1/8"	8	20"	630, 730, 620, 720, or 70

NOTE: The John Deere "430," "420," and "40" Series Tractors must be equipped with a 3-point hitch. The John Deere "530," "630," "730," "520," "620," and "720" Series Tractors must be equipped with a Universal 3-Point Hitch. The John Deere "50," "60," and "70" Series Tractors must be equipped with an 800 Series Hitch.

These disk harrows can be used with other tractors equipped with a standard 3-point hitch and in the power class of the tractors recommended for the different size harrows in the table at the left.

DISKING DEPTH . . . Controlled hydraulically by the rockshaft control lever on tractor.

ANGLE OF GANGS . . . Adjustable with lever control.

REAR GANG ANGLE . . . Adjustable, independently of front gang.

FURROW LEVELING BLADE . . . Available as special equipment.

(Specifications and design subject to change without notice.)

Be Careful



THE LIFE YOU SAVE MAY BE YOUR OWN...

NATIONAL SAFETY COUNCIL

OPERATION

PREPARING THE TRACTOR

For complete operating instructions concerning the tractor, refer to the tractor Operator's Manual.

"430," "420," or "40" SERIES TRACTORS.

Rear Wheel Tread.

Set the tractor rear wheel tread 54 inches or less, center-to-center of tires, and equal distance from the center line of the tractor.

Front End Weighting.

Front end stability is necessary for efficient operation and safety. Therefore it is important that the proper weight be added to the front end of the tractor.

Add 300 pounds of weight to the front end of the tractor when using a "430," "420," or "40" Series Tractor.

Lift Links.

Attach the lift links to the inner holes in the rockshaft lift arms.

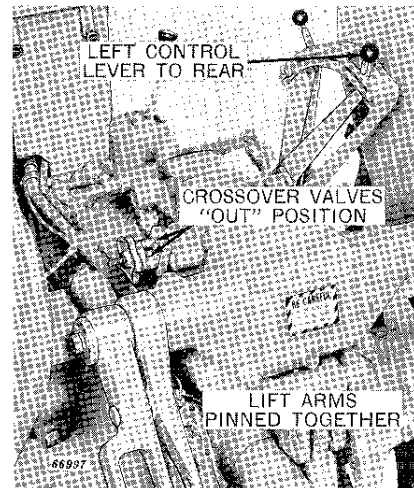
Set the length of the left-hand lift link as recommended in the tractor Operator's Manual. The right-hand lift link is adjustable for leveling the disk harrow.

Pin the sway stop chains to the outer holes on each side of the center hole in the drawbar bracket.

Belt Pulley.

The belt pulley must be removed from the tractor, if tractor is so equipped.

Tractors with Dual Touch-o-matic.



Parallel Cylinders ("430" Tractor)

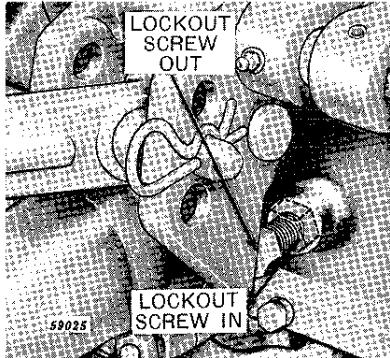
On tractors with dual Touch-o-matic, pin the rockshaft lift arms together with the lift arm lock pin so they will work in parallel to obtain maximum lifting capacity.

The inside or left-hand control lever must be moved to the extreme rear of the quadrant and locked in position with the quadrant lock. Adjust the Touch-o-matic system so integral cylinders are parallel and the lift arms operate together.

Load Control Yoke.

The Model "KBY" Disk Harrow is usually used with the load control action of the tractor locked out. To lock out the load control action, turn the load control screw out against the yoke.

If desired, the load control action of the tractor can be used. To use the load control action, turn in the load control screw.

Upper Link.**Load Control Yoke and Lockout Screw**

Attach the upper link to the load control yoke in the least sensitive position, if the disk harrow is used with the load control action of the tractor locked out.

If the load control action of the tractor is being used, attach the upper link to the center hole in the load control yoke when operating in favorable field conditions.

The upper link can be attached to the most sensitive position in the load control yoke when operating in adverse field conditions.

"530," "630," "730," "520," "620," OR "720" SERIES TRACTORS.**Rear Wheel Tread.**

Set the tractor rear wheel tread 66 inches or less, center-to-center of tires, and equal distance from center line of tractor.

Front End Weighting.

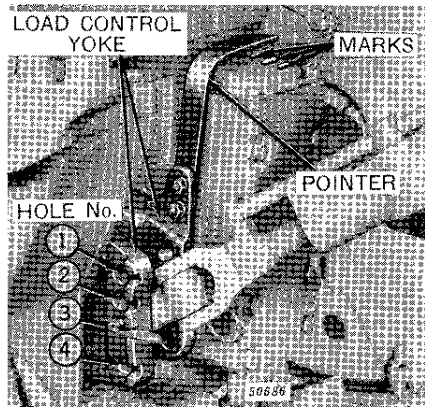
Front end stability is necessary for efficient operation and safety. Therefore, it is important that the proper weight be added to the front end of the "530," "630," "520," and "620" Series Tractors when using certain sizes of disk harrows.

The following weights are recommended:

"530" or "520" Series Tractors			
Size of Disk Harrow	Single Front Wheel	Roll-O-Matic	Adjustable Front Axle
7-Foot	275 Lbs.	225 Lbs.	0
8-Foot	450 Lbs.	400 Lbs.	150 Lbs.

"630" or "620" Series Tractors			
Size of Disk Harrow	Single Front Wheel	Roll-O-Matic	Adjustable Front Axle
9-Foot	250 Lbs.	200 Lbs.	0

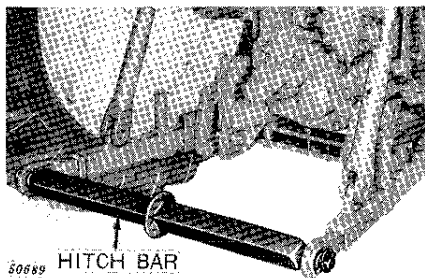
Load Control Yoke.



Load Control Yoke

Install the upper link in **Hole No. 3** of the load control yoke.

Hitch Bar.



Implement Hitch Bar

Attach the implement hitch bar between the two draft links.

"50," "60," OR "70" TRACTORS WITH 800 SERIES HITCH.

For complete operating instructions concerning the 800 Series Hitch, consult the Operator's Manual furnished with the hitch.

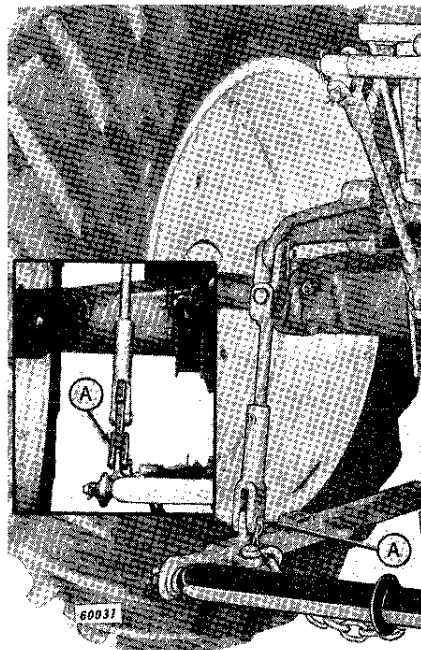
Front End Weighting.

Use front end tractor weights for necessary tractor stability.

Rear Wheel Tread.

Set the tractor rear wheel tread 66 inches or less, center-to-center of tires, and equal distance from center line of tractor.

Lift Link Extensions.



Lift Link Extensions

When attaching the disk harrow to a "70" Tractor, it is necessary to use lift link extensions on the 800 Series Hitch lift links.

Attach the lift link extension "A," (see inset) on the right- and left-hand lift links.

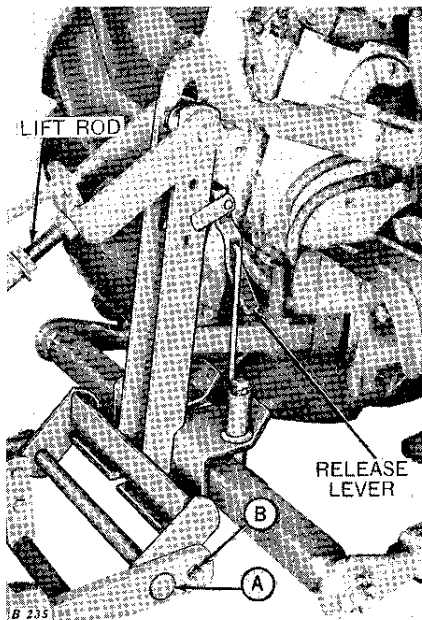
Hitch Bar.

Attach the implement hitch bar between the two draft links.

ATTACHING DISK HARROW TO TRACTOR

The hitch adapter can be attached to the main frame in either of two locations, "A" or "B," depending on the tractor, the size of the tractor tires, and the size of the disk harrow. Always attach the hitch adapter so the harrow will not contact the tractor tires.

After the hitch adapter is attached to the main frame, adjust the lift rod so hitch mast is exactly vertical.



For "530," "630," "730," "520," "620," "720," "50," "60," or "70" Tractors.

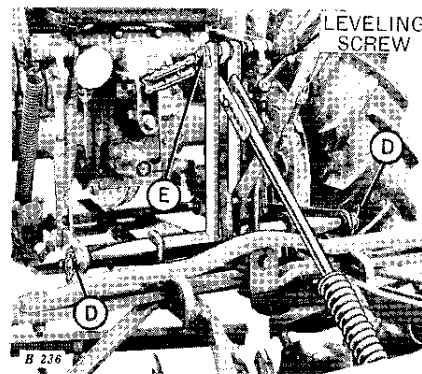
Raise the double locking bars with the release lever.

Back the tractor into the disk harrow so the hitch bar enters the lower jaws with the flange on the hitch bar centered in the slot between the lower jaws.

Lock the hitch bar in the lower jaws by lowering the release lever.

Raise the disk harrow so the upper link can be attached to the mast.

For "430," "420," or "40" Series Tractors.



Back the tractor into the disk harrow.

Attach the two draft links of the tractor at "D," and the upper link at "E."

For All Tractors.

Adjust length of upper link with disk harrow in lowered position so mast, which connects to the upper link, is exactly vertical.

TRANSPORTING

A warning lamp bracket socket is furnished on all 8- or 9-foot Model "KBY" Disk Harrows.



When transporting the disk harrow on a public road at night, or during other peri-

ods of poor visibility, use a warning lamp at the extreme left-hand side of the disk harrow or tractor, whichever extends farther to the left-hand side. Hang a red flag on the rear of the disk harrow when transporting during the day.

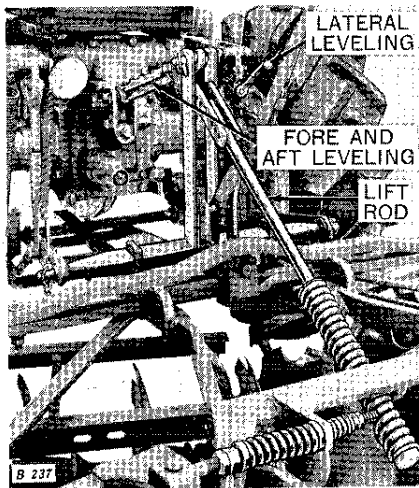
LEVELING

MAIN FRAME.

The main frame can be adjusted fore-and-aft so the rear gangs will cut shallower, deeper, or level with the front gangs.

The main frame must be adjusted laterally so the outer ends of the right-hand gangs cut the same depth as the outer ends of the left-hand gangs.

For "430," "420," and "40" Series Tractors.



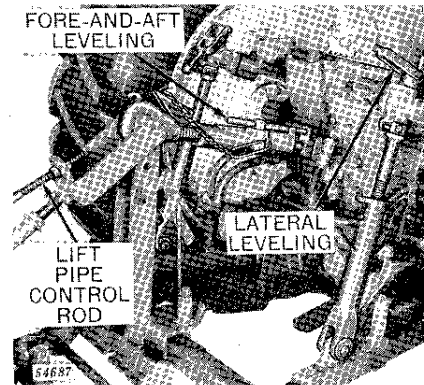
Leveling Main Frame

The upper link of the tractor hitch controls the fore-and-aft leveling of the disk harrow main frame.

The leveling screw crank of the tractor controls the lateral leveling of the main frame.

For "530," "630," "730," "520," "620," and "720" Tractors.

The upper link of the tractor hitch controls the fore-and-aft leveling of the disk harrow main frame.

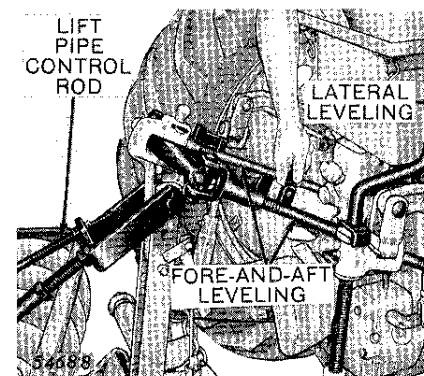


Leveling Main Frame

On the 7-, 8-, and 9-foot disk harrows, adjust lift pipe control rod so that there is a small amount of slack in the rear gang lift chains. The slack will allow the rear gangs to flex and follow the contour of the ground when the disk harrow is in working position.

The leveling crank on the right-hand lift link of the tractor hitch controls the lateral leveling of the main frame.

For "50," "60," and "70" Tractors.



Leveling Main Frame

The upper links of the tractor hitch control the fore-and-aft leveling of the disk harrow main frame.

Thank you so much for reading.
Please click the “Buy Now!”
button below to download the
complete manual.



After you pay.

You can download the most
perfect and complete manual in
the world immediately.

Our support email:

ebooklibonline@outlook.com