

# MODELS L AND M SPREADERS



JOHN DEERE

## OPERATORS MANUAL MODELS L AND M SPREADERS

OMC13831 I3 English

**OMC13831 I3**

LITHO IN THE U.S.A.  
ENGLISH



## TO THE PURCHASER

This manual covers the operation, service and assembly instructions for the John Deere Models "L" and "M" two-wheel and four-wheel spreaders, respectively. These spreaders have been designed to give many years of satisfactory service and are especially built to withstand the abuse of mechanical loading.

The successful operation of your spreader depends of course upon the care given it and how it is operated. The first recommendation is that you read this manual carefully and follow the instructions. By so doing you may save much time and expense in the field. If additional information is needed, see your John Deere dealer.

Lubrication is very important. Follow our recommendations.

If your spreader is the tractor-drawn Model "L" it is important that you have the correct drawbar hitch on your tractor. Read the portion of the manual pertaining to "Tractor Hitches" and follow the instructions therein to secure safe and efficient operation in the field.

When in need of parts refer to the Parts List and Illustrations. See your John Deere dealer and give him the part number and a complete description of the part.

### LOCATION REFERENCE

Right-hand and left-hand reference is determined by standing at the rear of the spreader and facing the forward direction of travel.

### IDENTIFICATION

This is a Series "1" Spreader. The Series Number Plate is attached to the front end of the lower sideboard, on the left-hand side of the spreader.

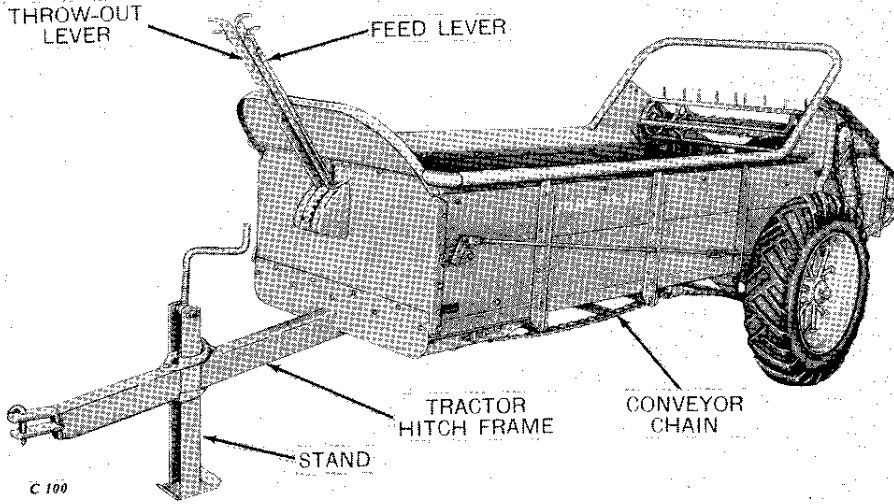
Date Purchased.....

*(Detail Design Subject to Change Without Notice)*

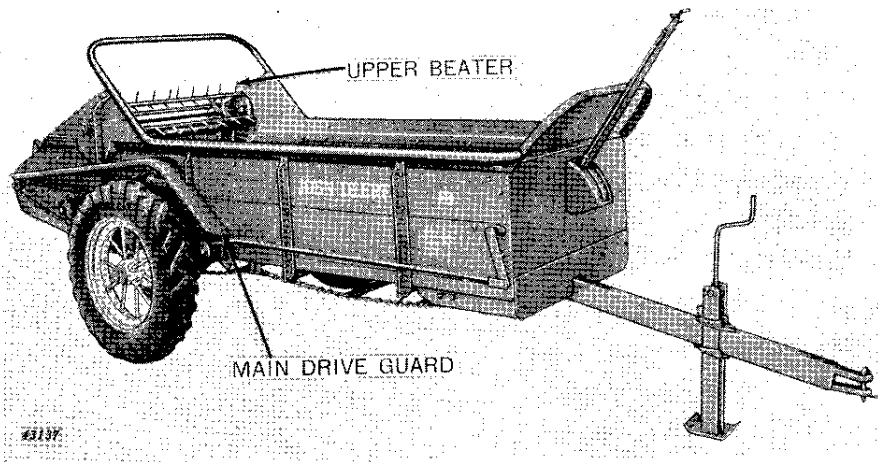
## TABLE OF CONTENTS

	<i>Page</i>
Description .....	4
Specifications .....	4
Lubrication .....	12-13
Operation .....	5-11
Before Loading Spreader .....	6
Brake .....	10
Conveyor Chain .....	8
Endgate .....	9
Feed Adjustment .....	7
Levers .....	6
Limespread .....	10
Loading Spreader .....	6
Main Drive Chain .....	7
Preparing the Tractor .....	5
Safety Suggestions .....	11
Scraper for Main Drive Sprocket .....	9
Storage .....	8
Tire Inflation for Spreader .....	5
Tractor Drawbars and Braces .....	16-24
Unloading Spreader .....	6
Upper Beater Drive Chain .....	8
Widespread Drive Chain .....	8
Service .....	14-15
Beaters .....	14-15
Main Axle .....	14

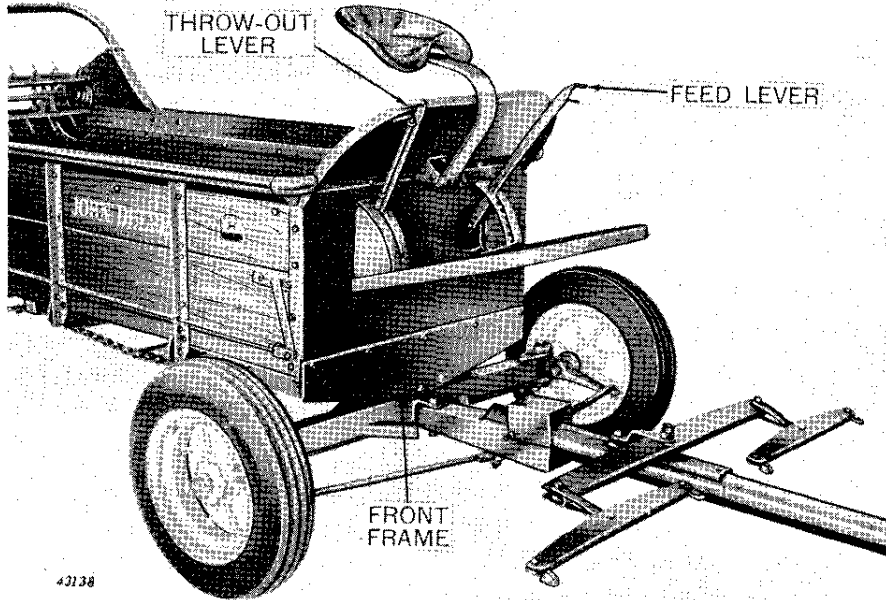
2



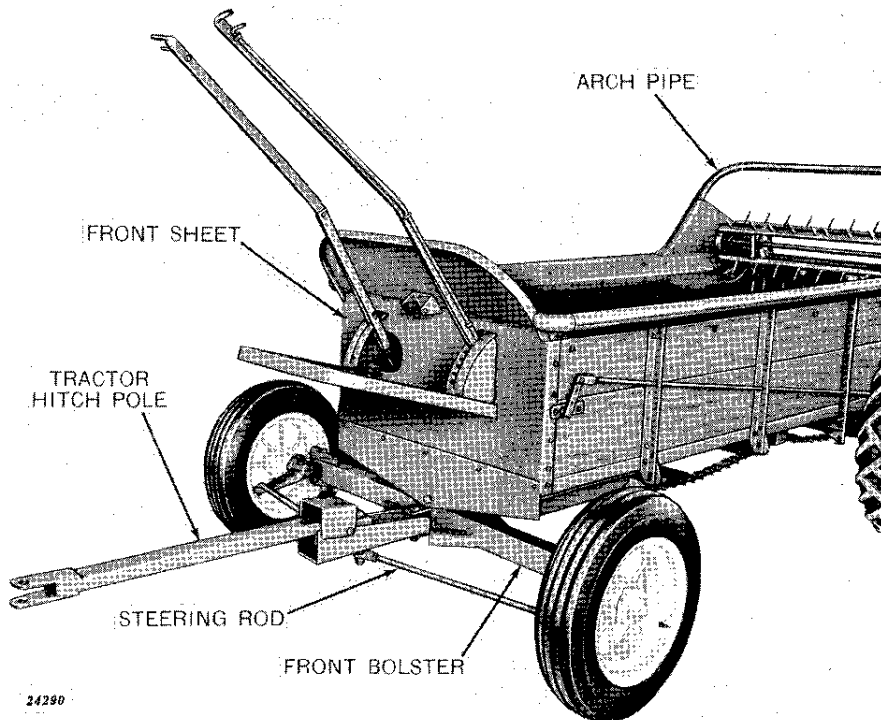
*Left Side View of John Deere Model "L" Spreader*



*Right Side View of John Deere Model "L" Spreader*



*Right Side of John Deere Model "M" Spreader with Pole and Eveners*



*Left Side of John Deere Model "M" Spreader with Tractor Hitch Pole and Long Levers*

## DESCRIPTION

The John Deere Model "L" Spreader is a two-wheel, steel-reinforced wood box spreader. Its primary function is to spread manure while being drawn behind a tractor. The screw-type stand on the hitch frame raises or lowers the spreader to correct height for attaching to tractor drawbar. Special drawbars are provided for use with various makes of tractors when needed. These drawbars provide safety to the operator and better operation of the spreader in the field.

The John Deere Model "M" Spreader is a four-wheel, steel-reinforced wood box spreader with a tractor stub pole and long levers for tractor operation. If the spreader is to be horse-drawn, a seat, steel pole, eveners and short levers are supplied.

From the widespread to the front sheet both spreaders are identical in construction. The difference between the two- and four-wheel spreaders is in the front sheet, front frame and levers at the front end. The spreader body is so designed that it can easily be assembled to make either an "L" or an "M" type spreader.

## SPECIFICATIONS

Over-All Length of Spreader Without Tongue . . . . .	152 Inches
Width at Widest Point . . . . .	70-1/8 Inches
Height at Highest Point . . . . .	58 Inches
Weight with Rubber Tires . . . . .	1,342 Pounds
Rated Capacity . . . . .	70 Bushels
Feed Ranges . . . . .	5
Height of Box from Ground . . . . .	41-3/8 Inches

## SPECIAL ATTACHMENTS

**Endgate.** For wet manure. Can be raised by operator while on tractor seat.

**Brake.** Available only for Model "M" Spreader.

**Limespread.** For spreading lime or highly concentrated manure, such as dry chicken or pulverized sheep manure.

**Scraper.** The scraper attaches to right lower sill and will keep mud from building up on main drive sprocket.

*(Specifications and design subject to change without notice.)*

Thank you so much for reading.  
Please click the “Buy Now!”  
button below to download the  
complete manual.



After you pay.

You can download the most  
perfect and complete manual in  
the world immediately.

Our support email:

[ebooklibonline@outlook.com](mailto:ebooklibonline@outlook.com)