

46A FARM LOADER



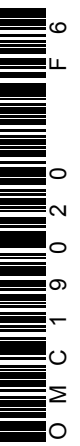
OPERATORS MANUAL

46A FARM LOADER

OMC19020 F6 English

JOHN DEERE WELLAND WORKS
OMC19020 F6

LITHO IN THE U.S.A.
ENGLISH





TO THE PURCHASER

This manual contains operating, servicing, and lubrication instructions for the John Deere 46A Farm Loader.

The 46A Loader has been designed to give many years of satisfactory service. The successful operation and long life of the loader depends, of course, on proper operation and the care given it. Make this manual your guide and do what it recommends. These instructions have been written specifically for this loader—other loaders may operate differently. Do not rely on advice from others not familiar with this loader. If additional information is needed, see your John Deere dealer.

Lubrication is very important. Refer to the Lubrication Chart.

When in need of parts see your John Deere dealer. He is equipped to provide genuine John Deere parts and service.



Right- and left-hand references are determined by standing at the rear of the tractor-loader combination and facing the forward direction of travel.

Before you forget, fill in the information below.

JOHN DEERE 46A FARM LOADER	
Date Purchased	19
Loader Serial No.	
<i>(To be filled in by purchaser)</i>	



DESCRIPTION

The John Deere 46A Farm Loader has been designed for use with the John Deere 2510 Row-Crop Tractor, 3010 and 3020 Row-Crop, Row-Crop Utility, and Standard Tractors; and the 4010 and 4020 Row-Crop and Standard Tractors.

The Loader may be equipped with either a 41-inch 7-tine bucket or a 60-inch materials bucket. The buckets may be mechanically or hydraulically controlled. The lift cylinders are double acting.

The power for operating the loader is derived from the tractor hydraulic system.

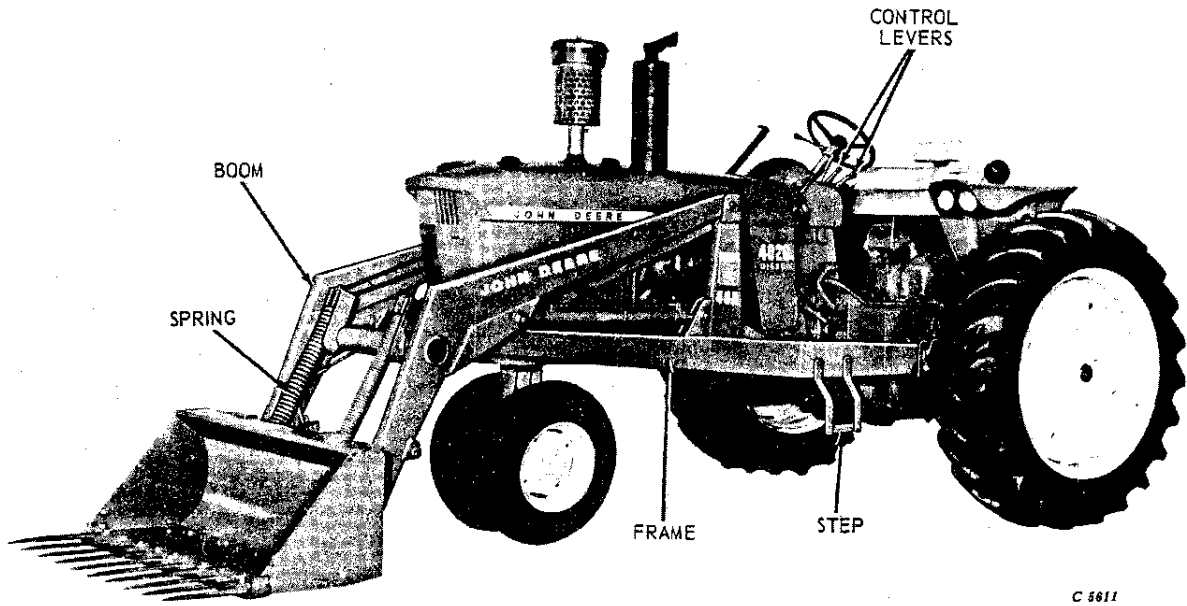
Raising or lowering the boom, as well as operating a hydraulically controlled bucket, is accomplished by operating the tractor remote cylinder operating levers, or the independent Gresen valve levers.

Loaders with a mechanically controlled bucket may be mounted on tractors with either one or two selective control valves.

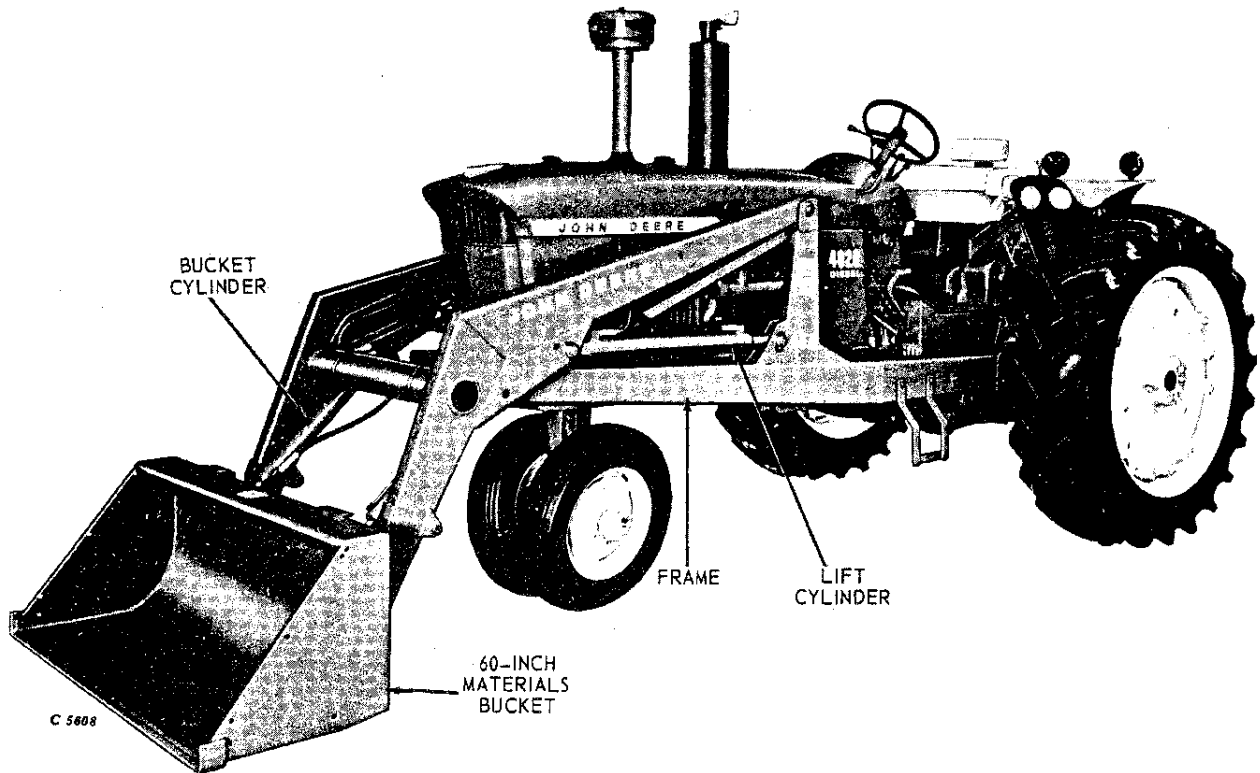
If the tractor is equipped with only one selective control valve and you want to use another tractor valve rather than an independent Gresen valve for operation of the hydraulically controlled bucket, a second selective control valve and breakaway couplers may be installed on the tractor. See your John Deere dealer.

CONTENTS

	Page
DESCRIPTION	1
IDENTIFICATION VIEWS	2
SPECIFICATIONS	3
OPERATION	4-14
Preparing and operating the tractor	4
Safety suggestions	9
Operating loader controls	5-7
Operating loader	8-9
Attaching loader	10-13
Detaching loader	14
EXTRA EQUIPMENT	15-17
LUBRICATION	18
SERVICE	19-20
TROUBLE SHOOTING	21



John Deere 46A Farm Loader with Mechanically Controlled 60-Inch Materials Bucket with Tines and Cover on John Deere 4020 Row-Crop Tractor



John Deere 46A Farm Loader with Hydraulically Controlled 60-Inch Materials Bucket on John Deere 4020 Row-Crop Tractor



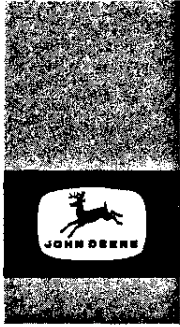
SPECIFICATIONS

Tractors	2510 Row-Crop 3010 and 3020 Row-Crop, Row-Crop Utility, and Standard 4010 and 4020 Row-Crop and Standard
Tractor Hydraulic Equipment Required	One Selective Control Valve for Loader with Mechanically-Controlled Bucket One Selective Control Valve and an Independent Gresen Valve, or Two Selective Control Valves for Loader with Hydraulically Controlled Bucket
Lift and Bucket Cylinders	Double Action
Bucket Control	Mechanical or Hydraulic
Bucket	60-inch Materials 41-inch 7-Tine
Weight (with 7-Tine Hydraulically-Controlled Bucket)	955 pounds
Over-All Length (On John Deere 3020 Tractor with 7-Tine Bucket)	16 feet 10 inches
(On John Deere 4020 Tractor with 7-Tine Bucket)	17 feet 9 inches
Rated Breakaway Capacity at Ground Level	3000 pounds
Rated Lift Capacity	2100 pounds
Lift Height (To Heel of Bucket)	9 feet 9 inches
Penetration Below Ground Level	7 inches (approx.)

OPTIONAL EQUIPMENT

- Bucket Level Indicator
- Scraper Blade
- Crane Attachment
- Step Attachment
- 7-Tine Bucket Attachments
 - Bottom Sheet Extension with Sides
 - Spill Sheet
 - 80-Inch Utility Bucket
 - Spring for Relatching Utility Bucket
- 60-Inch Materials Bucket Attachments
 - Tines with Cover
 - Bottom Sheet Extension with Sides
 - 80-Inch Utility Bucket
 - Side Cutting Edges
 - Spring for Relatching

(Specifications and design subject to change without notice.)



OPERATION

PREPARING AND OPERATING THE TRACTOR

FRONT WHEEL WEIGHTS AND SPACING

The loader may be operated on a tractor with either a single front wheel, dual front wheels, or wide front axles. Use heavy-duty front tires regardless of front wheel equipment used.

If operated on tractors with dual front wheels, set the wheels for widest wheel tread. This eliminates the accumulation of mud between the tires.

If operated on tractors with adjustable wide front axles, set the axle in the narrowest position.

Increased tire inflation in front tires is necessary for loader operation. Refer to your tractor operator's manual for correct inflation pressures.

Front end weight should not be used.

REAR WHEEL WEIGHTS AND SPACING

Use the widest rear wheel tread setting possible.



Where barn doors or gates limit the rear wheel tread, extra precaution must be taken when operating loader due to decreased stability.

Sufficient ballast should be added to rear wheels to secure the best operation possible. See your tractor operator's manual for ballast and tire inflation instructions.

COLD WEATHER STARTING

To assure smooth operation in cold weather, raise and lower the loader several times to warm the oil in the hydraulic system. A load in the bucket will speed the warm-up operation.

FUELING LP-GAS TRACTORS

When using the loader with an LP-Gas Tractor, a special fitting must be added to the filler line to prevent interference between the loader frame and the filler line. See instructions on page 20.

CHECKING OIL LEVEL

Check the oil level in the tractor hydraulic system daily. Refer to your tractor operator's manual for instructions. Keep oil supply up to proper level. The oil level should be checked with bucket on the ground and tractor engine stopped. If oil level is low, add oil as instructed in the tractor operator's manual.

ENGINE SPEED

When operating the loader under average conditions, drive the tractor at reduced throttle in second gear.

LEVER ADJUSTMENT FOR FLOAT POSITION

When using tractor selective control valves to operate the loader, adjust the tractor inner control lever rod for float position. See your tractor operator's manual for adjusting instructions.

When using the independent Gresen valve on the loader, the inner control lever rod must **not** be in float position. See your tractor operator's manual.

ADJUSTING SPEED OF BOOM OPERATION

Faster loader operation can be obtained by adjusting the metering valve on the selective control valve counterclockwise, to near maximum flow. Refer to your tractor operator's manual for this adjustment.



CAUTION: Before using remote cylinder with other machines, the metering valve should be readjusted according to instructions in your tractor operator's manual.

NOTE: This adjustment requires a wrench and screw driver. For convenience in making this adjustment, Metering Valve Assembly with Lever AR39747, is available to replace the metering valve. When using AR39747, no tools are required for adjusting the metering valve on the selective control valve.

Thank you so much for reading.
Please click the “Buy Now!”
button below to download the
complete manual.



After you pay.

You can download the most
perfect and complete manual in
the world immediately.

Our support email:

ebooklibonline@outlook.com