



78 REAR-MOUNTED BLADE



OPERATORS MANUAL 78 REAR-MOUNTED BLADE

OMC19585 A9 English

OMC19585 A9

LITHO IN THE U.S.A.
ENGLISH



TO THE PURCHASER

This manual covers the operation, lubrication, service, and assembly for the John Deere 78 Rear-Mounted Blade.

The 78 Rear-Mounted Blade is an ideal tool for light grading, back-filling, leveling, removing snow, finish grading around building sites and cleaning feed lots.

Read this operator's manual carefully and follow the instructions on operation, safety, and service. Keep the manual handy for reference.

When in need of parts, see your John Deere dealer. He can provide genuine John Deere parts to maintain the life and satisfactory performance of your blade.

The warranty for this blade is on the back of your copy of the purchase order which you should have received from your dealer when you purchased this blade.

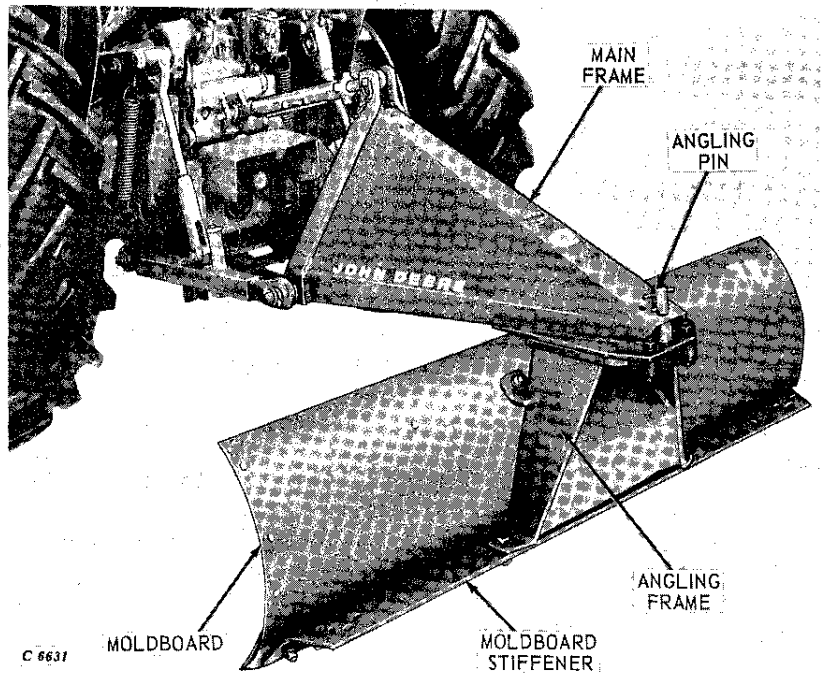


References in this manual to the right- or left-hand sides are determined by standing at the rear of the blade, facing forward, in the direction the tractor and blade will travel.

Fill in the date below for future reference.

JOHN DEERE 78 REAR-MOUNTED BLADE

Date Purchased 19
(To be filled in by purchaser)



John Deere 78 Rear-Mounted Blade

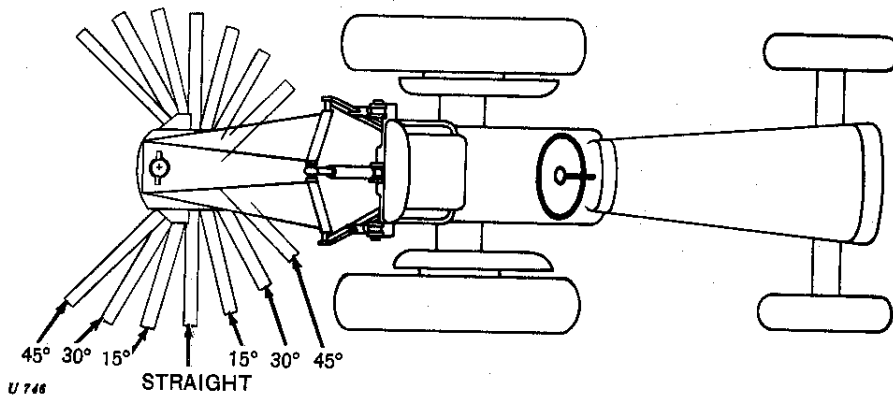
CONTENTS

	Page
SPECIFICATIONS	2
OPERATION	3-7
Preparing Tractor	3-4
Attaching to Tractor	5
Blade Operating Controls	5
Angling the Blade	6
Reversing the Blade	6
Tilting or Pitching the Blade	6
Offsetting the Blade	7
Digging and Grading	7
Backfilling and Side Casting	7
Extra Equipment	8
Safety Rules	9
LUBRICATION AND SERVICE	10
ASSEMBLY	11-12

SPECIFICATIONS

- Moldboard Length 6, 7, or 8 Feet
- Moldboard Height 18 Inches
- Moldboard Thickness 1/4 Inch
- Cutting Edge 1/2 x 6 x 72 Inches (for 6-foot moldboard)
 1/2 x 6 x 84 Inches (for 7-foot moldboard)
 1/2 x 6 x 96 Inches (for 8-foot moldboard)
 Reversible and replaceable high-carbon heat-treated steel.
- Blade Positions Straight, forward, or reversed
 Angles right or left 15, 30, or 45 degrees
 Centered, or offset to right or left 12 inches
 Tilted left or right through 3-point hitch linkage adjustment.
- Weight (without Gauge Wheel)
- | | |
|----------------------------|------------|
| 6-Foot Moldboard | 379 Pounds |
| 7-Foot Moldboard | 421 Pounds |
| 8-Foot Moldboard | 466 Pounds |
- Gauge Wheel Extra equipment recommended for finish grading.

(Specifications and design subject to change without notice.)



Blade Positions

OPERATION

PREPARING TRACTOR

The 78 Rear-Mounted Blade may be used with any John Deere Tractor through the 4020 Series. However, when used with tractors larger than the size and weight of the John Deere 2010 Tractor, be careful not to overload the blade.

TIRE INFLATION

Inflate the tractor tires to pressure recommended in the tractor operator's manual for a light rear-mounted implement.

FRONT END WEIGHTING

Under normal operating conditions, front end weighting is necessary only on the John Deere 40, 420, and 430 Standard Tractors. Use one front end weight on these tractors.

REAR WHEEL WEIGHTING

In conditions where it becomes necessary to add weight to the rear wheels for better traction, see your tractor operator's manual.

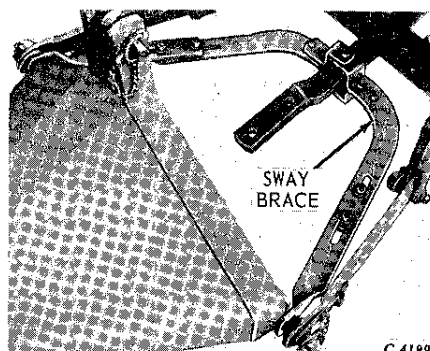
TRACTOR DRAWBAR

Set the tractor swinging drawbar in the short high position.

SWAY BLOCKS AND BRACES

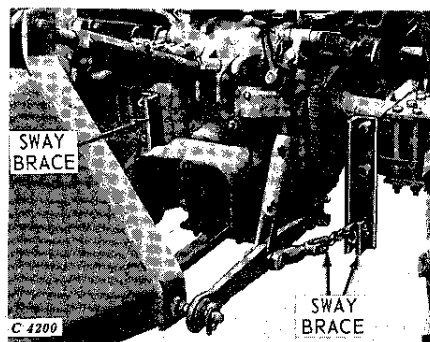
On tractors equipped with sway blocks, position sway blocks in the down position to eliminate all side sway while in operating position.

On tractors equipped with sway chains, remove chains from hitch and install sway brace.



Sway Brace SGY30WC must be used on 320, 330, 420, and 430 Standard; 320, 330, 420, 430 Utility; and 1010 Single Row-Crop and Utility Tractors, and tractors equipped with an 800 Series Hitch.

NOTE: The above tractors must be equipped with a drawbar.



Sway Brace AT20666T must be used on 40, 420, and 430 Tricycle; 420 and 430 Row-Crop Utility; 435 Diesel; and 1010 Row-Crop, Row-Crop Utility, and Special Row-Crop Utility Tractors.

NOTE: Illustration above shows sway braces (AT20666T) on tractor equipped with a loader. When tractor is not equipped with a loader, sway braces must be switched side for side so that open part of angle is toward inside of tractor

Thank you so much for reading.
Please click the “Buy Now!”
button below to download the
complete manual.



After you pay.

You can download the most
perfect and complete manual in
the world immediately.

Our support email:

ebooklibonline@outlook.com