



48 Farm Loader



JOHN DEERE

OPERATORS MANUAL

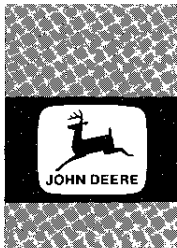
48 Farm
Loader

OMC20081 Issue J9 English

OMC20081 Issue J9

LITHO IN U.S.A.
ENGLISH





TO THE PURCHASER

Make this manual your guide for operating, lubricating, and servicing your new John Deere 48 Farm Loader.

These instructions have been written specifically for this loader—other loaders may operate differently.

Long life and satisfactory performance of the loader depends upon your following the instructions in this manual. Read carefully before putting the loader to work. Store the manual in a safe, convenient place so you can refer to it quickly.

Before operating, adjusting, or cleaning your loader, be sure to read the safety suggestions on page 20. Insist that they be followed by those working with you and for you.

Proper lubrication of the loader is very important. Refer to page 25.

DIRECTION REFERENCES

References in this manual to the right- and left-hand side of your loader are determined by standing at the rear of tractor-loader and facing the direction of forward travel.

INFORMATION CONCERNING WARRANTY

The warranty on this loader appears on your copy of the purchase order which you should have received from your dealer when you purchased the loader.



PARTS AND SERVICE

When in need of new parts or service, see your John Deere dealer. He can provide genuine John Deere replacement parts; his servicemen have the training and experience to service your equipment efficiently.

SERIAL NUMBER

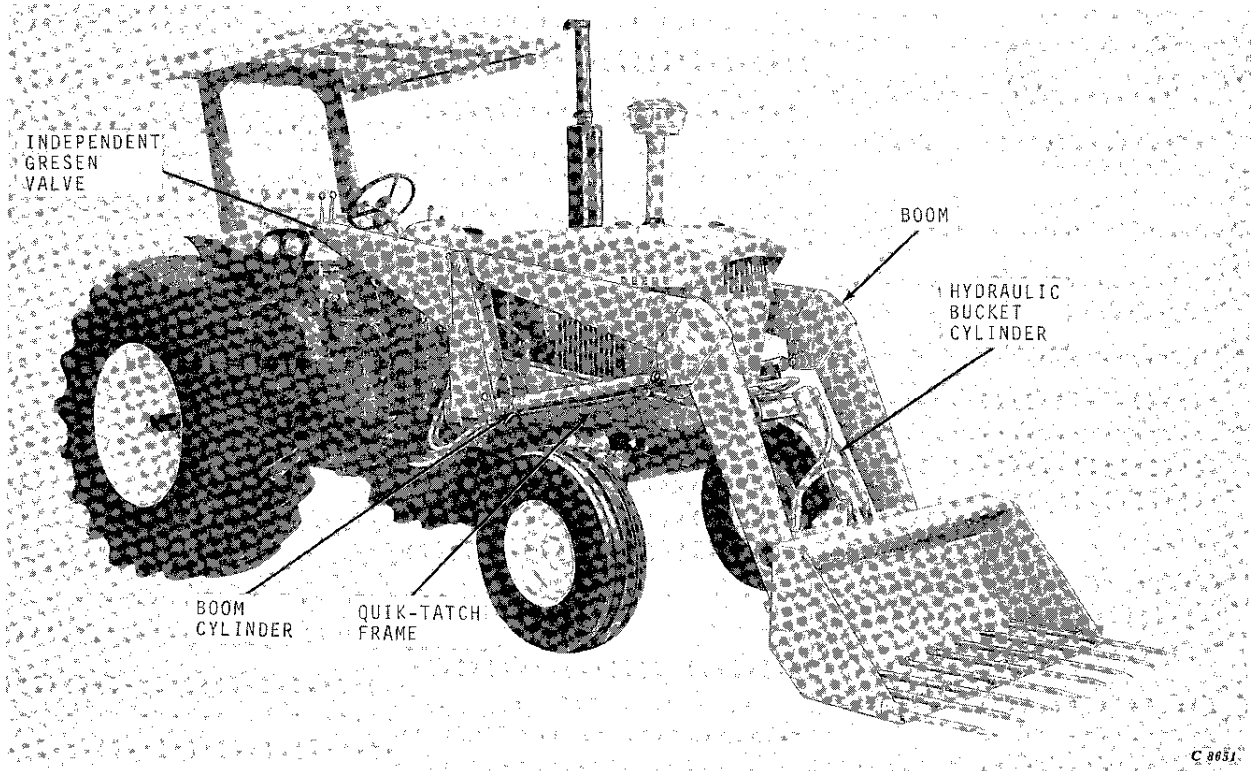
The serial number plate is located on the right mast of the loader. For future reference, record the serial number in the space below.

JOHN DEERE 48 FARM LOADER	
Date Purchased	19
Loader Serial No.	
<i>(To be filled in by purchaser)</i>	

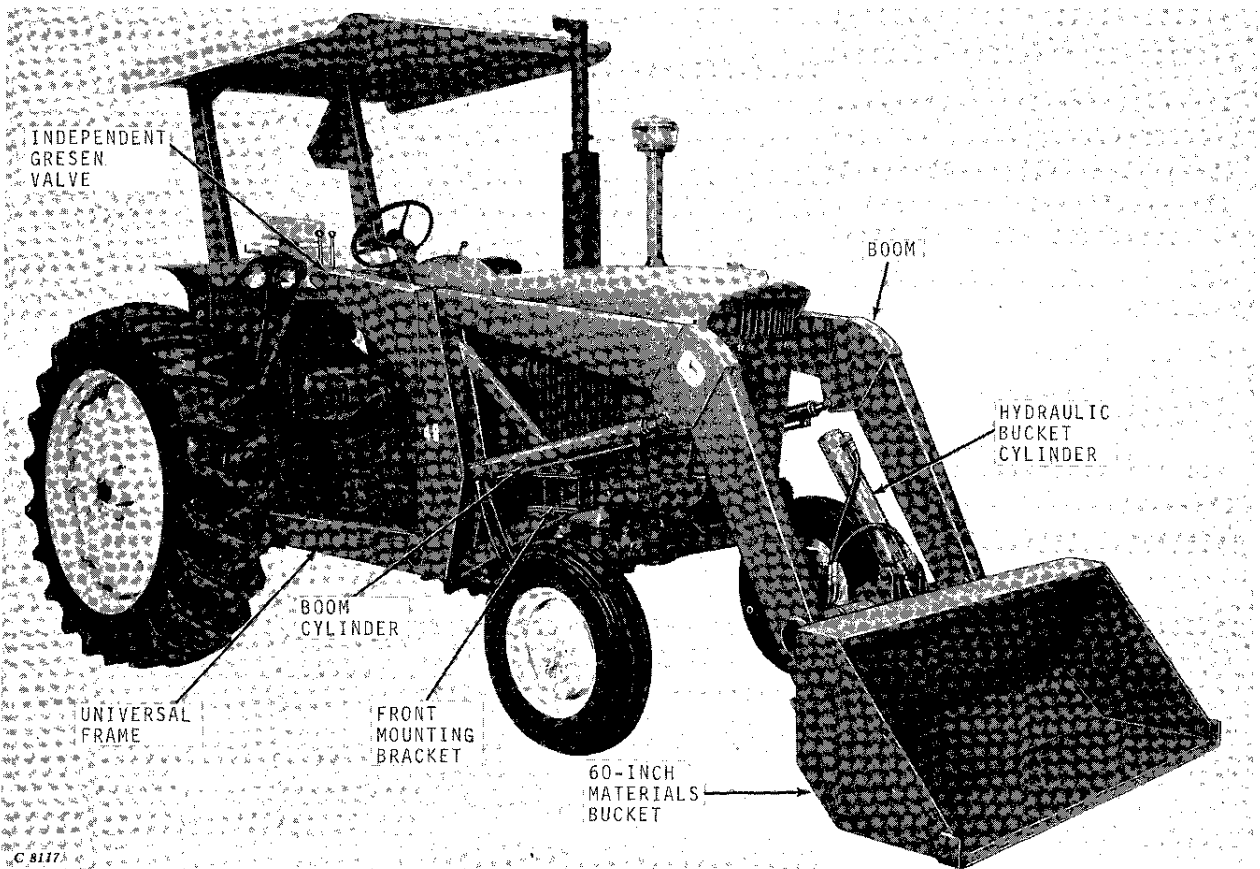


CONTENTS

	Page
IDENTIFICATION VIEWS	2
DESCRIPTION	3
SPECIFICATIONS	4-6
OPERATION	7-20
Preparing and operating the tractor	7-8
Loader controls	9-14
Operating loader	15-16
Adjustments	16-19
Safety suggestions	20
EXTRA EQUIPMENT	21-24
LUBRICATION	25
TROUBLE SHOOTING	26
SERVICE	27
DETACHING AND ATTACHING	28-72
Detaching quik-tatch loader	28-30
Detaching universal frame loader	31-42
Attaching quik-tatch loader	43-50
Attaching universal frame loader	51-72



John Deere 48 Quik-Tatch Frame Farm Loader Equipped with Independent Gresen Valve, with Hydraulically Controlled 60-Inch Materials Bucket with Tines on John Deere 4020 Tractor



John Deere 48 Universal Frame Farm Loader Equipped with Independent Gresen Valve with Hydraulically Controlled 60-Inch Materials Bucket on John Deere 3020 Tractor



DESCRIPTION

The John Deere 48 Quik-Tatch Frame Farm Loader has been designed for use with John Deere 1020, 1520, 2020, 2510, 3010, 3020, 4000, 4010, and 4020 Tractors. The John Deere 1020, 1520, and 2020 Tractors must be equipped with tractor side frames when used with the loader. The 48 Quik-Tatch Loader is equipped with hydraulically controlled bucket only.

The John Deere 48 Universal Frame Farm Loader has been designed for use with John Deere A, B, G, 50, 60, 70, 520, 530, 620, 630, 720, 730, 2510, 2520, 3010, 3020, 4000, 4010, and 4020 Tractors. The loader also has been designed for use with IHC Farmall H, Super H, M, Super M, Super MTA, 300, 350, 400, 450, 460, 504, 544, 560, 656, 706, 756, 806, and 856 Tractors. The 48 Universal Frame Loader can be equipped with mechanically controlled manure fork or hydraulically controlled bucket.

Five buckets are available: a 48-inch, 7-tine manure fork, a 60-, 72-, or 84-inch materials bucket, and a 64-inch digging bucket. Bottom and side sheet extensions are available to increase the capacity of the 48-inch manure fork and the 60-inch materials bucket. Attachments are available to increase the 48-inch manure fork and the 60-inch materials bucket to 80 inches in width, and the 72-inch materials bucket to 92 inches in width. Tines also are available for the 60- or 72-inch materials bucket. Other attachments include an 8-foot blade, a grapple fork attachment, the 27 Forklift, a hydraulic crane, and a bucket level indicator.

The power for operating the loader is derived from the tractor hydraulic system.

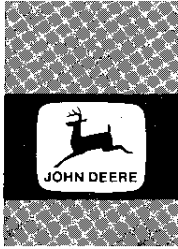
Raising and lowering the boom, as well as operating the hydraulically controlled bucket, is accomplished by operating the tractor remote cylinder operating levers, or the independent Gresen valve levers.

To operate the 48 Universal Frame Loader and the mechanically controlled manure fork on John Deere A, B, G, 50, 60, 70, 520, 530, 620, 630, 720, 730, IHC Farmall H, Super H, M, Super M, Super MTA, 300, 350, 400, 450, 460, 504, 544, 560, 656, 706, 756, 806, and 856 Tractors, the tractor must be equipped with at least one selective control valve or an independent Gresen valve. The loader and mechanically controlled manure fork also may be operated on John Deere 2510, 2520, 3010, 3020, 4000, 4010, and 4020 Tractors with at least one selective control valve.

To operate the loader and the hydraulically controlled bucket on John Deere A, B, G, 50, 60, or 70 Tractors, the loader must be equipped with an independent Gresen valve. These tractors are equipped with single selective control valve only.

The loader equipped with hydraulically controlled bucket only, may be used on John Deere 1020 RU and HU, 1520, or 2020 RU and HU Tractors. If the tractor is equipped with two selective control valves, the loader may be operated by these valves. If the tractor is equipped with hydraulic system, rockshaft, or single selective control valve, the loader must be operated by an independent Gresen valve. On John Deere 1020 or 2020 LU Tractors, the loader must be operated by an independent Gresen valve. These tractors are equipped with single selective control valve only.

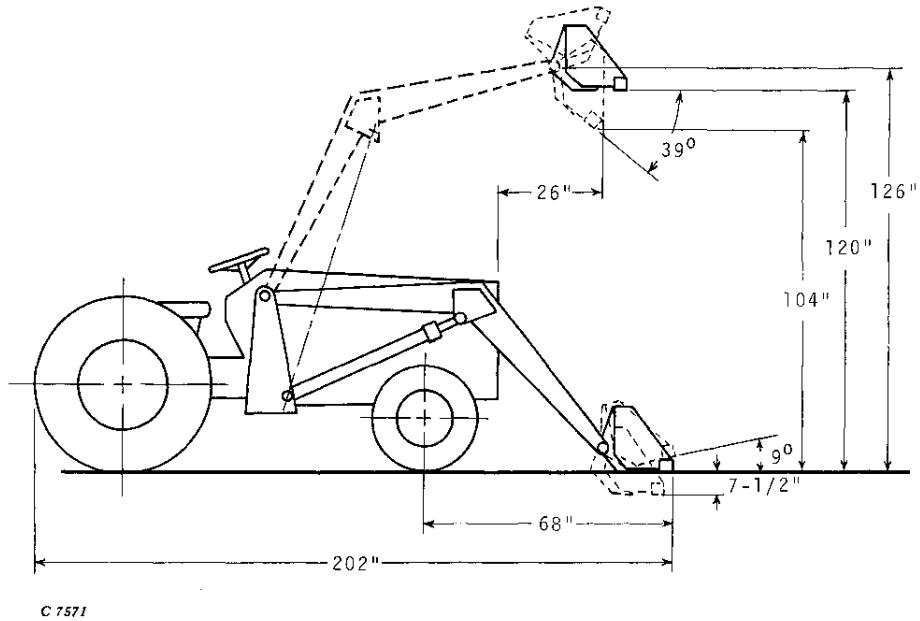
To operate the loader and the hydraulically controlled bucket on John Deere 520, 530, 620, 630, 720, 730, 2510, 2520, 3010, 3020, 4000, 4010, 4020, IHC Farmall H, Super H, M, Super M, Super MTA, 300, 350, 400, 450, 460, 504, 544, 560, 656, 706, 756, 806, and 856 Tractors, the tractors must be equipped with either two selective control valves, or an independent Gresen valve.



SPECIFICATIONS

Tractors	Quik-Tatch Mounting John Deere 1020, 1520, 2020, 2510, 2520, 3010, 3020, 4000, 4010, and 4020 Tractors
	Universal Frame Mounting John Deere A, B, G, 50, 60, 70, 520, 530, 620, 630, 720, 730, 2510, 2520, 3010, 3020, 4000, 4010, 4020, IHC Farmall M, Super M, H, Super H, Super MTA, 300, 350, 400, 450, 460, 504, 544, 560, 656, 706, 756, 806, and 856 Tractors
Tractor Hydraulic Equipment Required	For Mechanically Controlled Manure Fork (48 Universal Frame Loader Only) On John Deere A, B, G, 50, 60, 70, 520, 530, 620, 630, 720, 730, 2510, 2520, 3010, 3020, 4000, 4010, and 4020, IHC Farmall M, Super M, H, Super H, Super MTA, 300, 350, 400, 450, 460, 504, 544, 560, 656, 706, 756, 806, and 856 Tractors - One selective control valve required.
	For Hydraulically Controlled Bucket On John Deere A, B, G, 50, 60, 70, 1020, or 2020 LU Tractors - Independent Gresen valve required. On John Deere 1020 RU and HU, 1520, or 2020 RU and HU Tractors - If the tractor is equipped with two selective control valves, the loader may be operated by these valves. If the tractor is equipped with hydraulic system, rockshaft, or single selective control valve, the loader must be operated by the independent Gresen valve. On John Deere 520, 530, 620, 630, 720, 730, 2510, 2520, 3010, 3020, 4000, 4010, 4020, IHC Farmall M, Super M, H, Super H, Super MTA, 300, 350, 400, 450, 460, 504, 544, 560, 656, 706, 756, 806, and 856 Tractors - Two selective control valves or an independent Gresen valve required.
Lift and Bucket Cylinders	Double Action
Bucket Control	Hydraulic Mechanical (Manure Fork Only) (48 Universal Frame Loader Only)
Buckets (Optional)	48-Inch, 7-Tine Manure Fork 60-Inch Materials 72-Inch Materials 84-Inch Materials 64-Inch Digging
Weight (with 60-Inch Materials Bucket).	1220 Pounds

ASAE Rated Breakaway Capacity at Ground Level	3600 Pounds (with 60-Inch Materials Bucket on John Deere 1020, 1520, 2020, 2510, 2520, 3010, 3020, 4000, 4010, and 4020 Tractors) (On Other Tractors, Breakaway Capacity at Ground Level Will Vary Depending on the Size Tractor and Hydraulic System)
ASAE Rated Lift Capacity	2400 Pounds (with 60-Inch Materials Bucket on John Deere 1020, 1520, 2020, 2510, 2520, 3010, 3020, 4000, 4010, and 4020 Tractors) (On Other Tractors, Lift Capacity Will Vary Depending on the Size Tractor and Hydraulic System)
Extra Equipment	Stands, and Mounting Guide Cones 48-Inch Manure Fork Attachments: Bottom and Side Sheet Extensions 80-Inch Utility Bucket 60-Inch Materials Bucket Attachments: Tines Bottom and Side Sheet Extensions Side Cutting Edge 80-Inch Utility Bucket 72-Inch Materials Bucket Attachments: Tines Bottom and Side Sheet Extensions 92-Inch Utility Bucket Hydraulic Crane 8-Foot Utility Blade Bucket Level Indicator Grapple Fork Attachment 27 Forklift



John Deere 48 Quik-Tatch Frame Loader on 4020 Tractor with 10-16 Front Tires, Adjustable Front Axle, and 23.1-30 Rear Tires

Operating Dimensions. . . . Operating dimensions will vary depending on tractor used, tire sizes, and bucket. Dimensions below are for a John Deere 4020 Tractor with 23.1-30 rear tires, 10-16 front tires, with a 60-inch materials bucket without tines.

Maximum Lift Height to Heel of Bucket (ASAE) - 126 Inches

Maximum Lift Height to Bottom of Level Bucket - 120 Inches

Clearance with Bucket Fully Dumped to 39 Degrees - 104 Inches

Reach with Bucket Fully Dumped to 39 Degrees (ASAE) - 26 Inches

Maximum Dump Angle (ASAE) - 39 Degrees

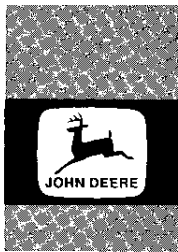
Reach with Bucket on Ground (ASAE) - 68 Inches

Bucket Roll-Back Angle (ASAE) - 9 Degrees

Digging Depth (ASAE) - 7-1/2 Inches

Over-All Length with Bucket on Ground - 202 Inches

(Specifications and design subject to change without notice.)



OPERATION

PREPARING AND OPERATING THE TRACTOR

CAUTION: Shut off tractor engine and disconnect power before preparing the tractor.

WHEEL SPACING

Front Wheels

The loader may be operated on a tractor with either a single front wheel, regular dual front wheels, heavy-duty Roll-O-Matic, or wide front axles. (Regular Roll-O-Matic is not recommended.) Use heavy-duty front tires (minimum 6-ply rating) regardless of front wheel equipment used.

When operated on tractors with dual front wheels, set the wheels for widest wheel tread. This eliminates the accumulation of mud between the tires.

If operated on 1020, 1520, or 2020 Tractors with adjustable wide front axle, set front axle tread to the minimum tread setting.

If operated on 2510, 2520, 3010, 3020, 4000, 4010, or 4020 Tractors with adjustable wide front axle, adjust the front axle to a setting 10 inches greater than the minimum tread setting.

Rear Wheels

Use the widest rear wheel tread setting possible.

CAUTION: Where barn doors or gates limit the rear wheel tread, extra precaution must be taken when operating loader due to decreased stability.

BALLAST

Do not use front end weight.

The chart below lists combinations of rear ballast recommended to provide adequate tractor and loader stability. Because of weight transfer when the loader is mounted on the tractor, some of these ballast recommendations may exceed the maximum total ballast given in the tractor operator's manual.

For ballast recommendations on tractors not listed below and on the next page, see your tractor operator's manual.

Recommended Ballast Per Rear Wheel		
Tractor	48 Loader Only	48 Loader and 78 or 80A Blade
1020LU 1020RU 1020HU	Use recommended maximum total ballast per rear wheel as shown in the tractor operator's manual for hitch-mounted implements plus 500 pounds or four wheel weights per wheel.	Use recommended maximum total ballast per rear wheel as shown in the tractor operator's manual for hitch-mounted implements.
1520	Use recommended maximum total ballast per rear wheel as shown in the tractor operator's manual for hitch-mounted implement plus 250 pounds or two wheel weights per wheel.	Use recommended maximum total ballast per rear wheel as shown in the tractor operator's manual for hitch-mounted implements minus 150 pounds or one wheel weight per wheel.
2020LU 2020RU 2020HU	Use recommended maximum total ballast per rear wheel as shown in the tractor operator's manual for hitch-mounted implements plus 150 pounds or one wheel weight per wheel.	Use recommended maximum total ballast per wheel as shown in the tractor operator's manual for hitch-mounted implements minus 250 pounds or two wheel weights per wheel.

8 Operation

	48 Loader Only		48 Loader and 78 or 80A Blade	
	140-Lb. Weights Per Wheel with Solution*	140-Lb. Weights Per Wheel without Solution*	140-Lb. Weights Per Wheel with Solution	140-Lb. Weights Per Wheel without Solution
2510 and 2520 Row-Crop Tricycle	3	6	1	4
2510 and 2520 Row-Crop Adjustable Tread	2	6	0	4
3020 Row-Crop Tricycle	0	4	0	2
3020 Standard, Utility, and Row-Crop with Adjustable Tread	0	2	0	0
4000 Row-Crop 4020 Row-Crop and Standard	0	0	0	0

*Tires filled to valve stem level, using a solution of 3-1/2 lbs. of calcium chloride (CaCl_2) per gallon of water. Solution is slush free at -12°F . and solid at -52°F .

TIRE INFLATION

Inflate front tires to proper pressure as recommended in the tractor operator's manual for heavy front-mounted implements.

ENGINE SPEED

When operating the loader under average conditions, drive the tractor at reduced throttle in third gear.

CHECKING OIL LEVEL

Check the oil level in the tractor hydraulic system daily. Refer to your tractor operator's manual for instructions. Keep oil supply up to proper level.

Before checking oil supply, operate the loader up and down three or four times and return bucket to ground. Stop tractor engine and then check oil supply. If oil level is low, add oil as instructed in the tractor operator's manual.

COLD WEATHER STARTING

To assure smooth operation in cold weather, raise and lower the boom several times to warm the oil in the hydraulic system. A load in the bucket will speed the warm-up operation.

ADJUSTMENT FOR FLOAT POSITION

On newer John Deere tractors, the hydraulic system must be adjusted for "float" or "no-float" setting, depending on whether the loader is controlled by the tractor selective control valves, or by an independent Gresen valve. See specific adjustment instructions for each tractor on pages 18 and 19.

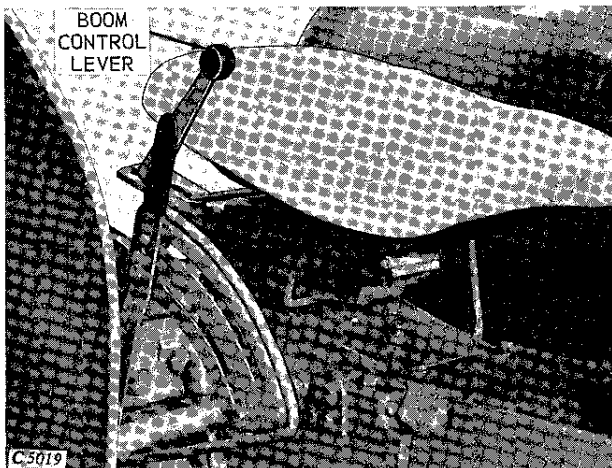
LOADER CONTROLS

BOOM CONTROL

Loader Using Tractor Selective Control Valves

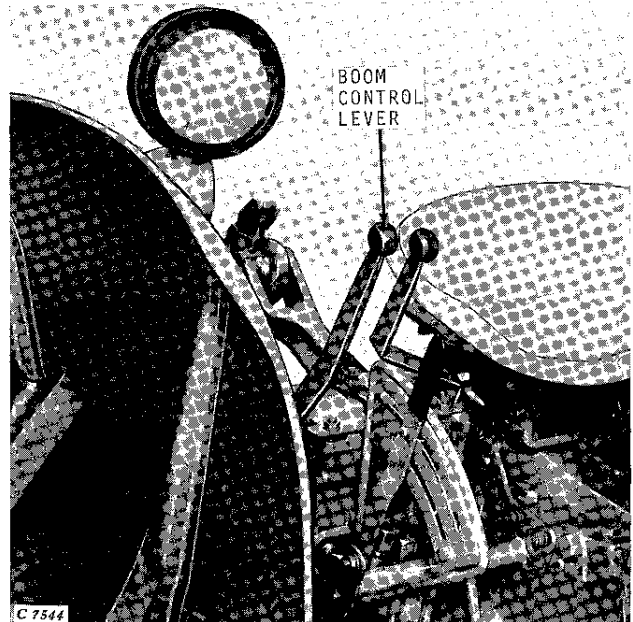
CAUTION: Never operate the loader except from the tractor seat. Before operating the loader, be sure no one is near the loader.

1020, 1520 and 2020 Tractors



Tractor Equipped with One Selective Control Valve

When the tractor is equipped with only one selective control valve, the single lever is located near the right side of the tractor seat. This lever is used to control the raising and lowering of the boom.



Tractors Equipped with Two Selective Control Valves

When the tractor is equipped with two selective control valves, the remote cylinder operating lever farthest from the tractor seat controls the raising and lowering of the boom.

Thank you so much for reading.
Please click the “Buy Now!”
button below to download the
complete manual.



After you pay.

You can download the most
perfect and complete manual in
the world immediately.

Our support email:

ebooklibonline@outlook.com