

HYDRAULIC LOADER NO. 30



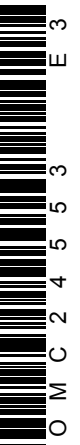
JOHN DEERE

OPERATORS MANUAL HYDRAULIC LOADER NO. 30

OMC24553 E3 English

OMC24553 E3

LITHO IN THE U.S.A.
ENGLISH



TO THE PURCHASER

We commend you for your judgment in selecting a John Deere No. 30 Hydraulic Loader. This machine has been designed to give you many years of satisfactory service. This depends upon the care given it and how it is operated.

The operating and servicing instructions in this manual have been prepared to assist you in obtaining the utmost in loading efficiency when operating the No. 30 Loader. The first recommendation is that you read this manual carefully. By so doing, you may save much time and expense in the field. If additional information is needed, see your John Deere dealer.

Lubrication is very important. Follow our recommendations.

When in need of parts, see your John Deere dealer. He is equipped to provide genuine replacement parts which will keep your machine in first class condition.

Location Reference

Right-hand and left-hand reference is determined by standing behind the machine and facing in the direction of travel.

Identification

Your loader is known as the John Deere No. 30 Hydraulic Loader Series "2." Be sure to use this description when ordering parts or writing about your loader.

Date Purchased 19.....

TABLE OF CONTENTS

	<i>Page</i>
DESCRIPTION	2
SPECIFICATIONS AND DATA	4
ATTACHMENTS	5-6
LUBRICATION	7
OPERATION AND ADJUSTMENT	8-15
Controls	8
Penetration	8
Bucket Dump	9
Loading	9
Hydraulic System	9
Detaching Loader from John Deere Models "40" Standard and "M" Tractors	10
Attaching Loader to John Deere Models "40" Standard and "M" Tractors	11
Detaching Loader from Ford Model 8N or Ferguson Models TO-20 and TE-20 Tractors	12-13
Attaching Loader to Ford Model 8N or Ferguson Models TO-20 and TE-20 Tractors	14
Bulldozer Blade	15
SERVICE	16-18
ASSEMBLY	20-51
Preparing John Deere Models "40" Standard and "M" Tractors for Loader	20-23
Preparing Ford Model 8N Tractor for Loader	24-27
Preparing Ferguson Models TO-20 and TE-20 Tractors for Loader	28-31
Assembly of No. 30 Loader	32-37
Installation on John Deere Models "40" Standard and "M" Tractors	38-41
Installation on Ford Model 8N or Ferguson Models TO-20 and TE-20 Tractors	42-47
Bulldozer Blade	48-49
Bumper Attachment	49
Exhaust Deflector	50
Dirt Bucket	50
Snow Bucket	51

DESCRIPTION

The John Deere No. 30 Loader is built for operation with the John Deere Model "40" Standard, or Model "M" Tractors. It can also be used with the Ford Model 8N and Ferguson Models TE-20 or TO-20 Tractors.

When operated with the John Deere Tractors the hydraulic power is taken from the regular power lift pump on the tractor. If the loader is to be mounted on a Ford or Ferguson Tractor special mounting parts and a hydraulic pump are supplied to adapt the loader to the tractor.

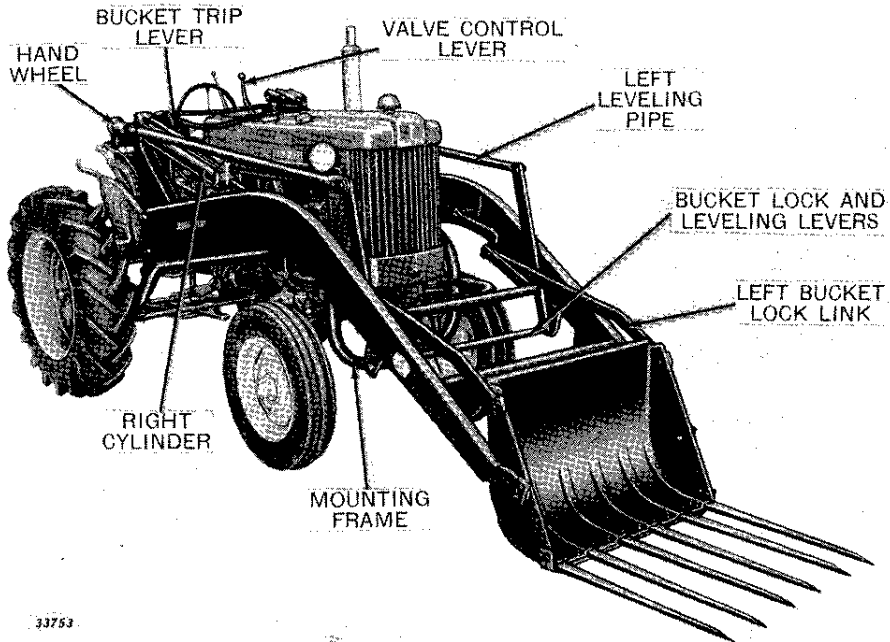
An operating valve, with built-in relief valve, is mounted on the left hand cylinder.

The purpose of this machine is primarily to load manure into spreaders and trucks. However, a snow bucket, a dirt bucket and a bulldozer attachment are furnished as extra equipment. A bottom plate is regularly furnished to assist in handling loose or sloppy manure.

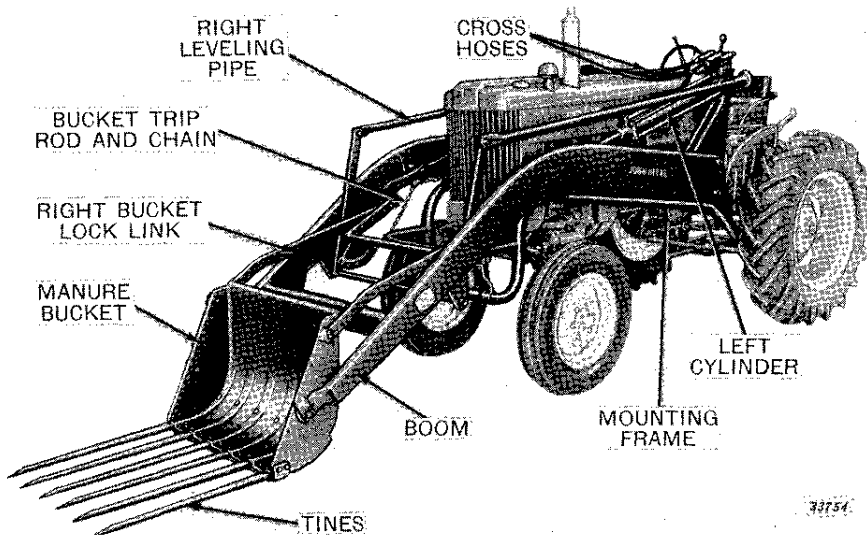
The loader is left intact when removed from the tractor. If instructions are followed, the loader can be attached to, or removed from, the tractor in a short time.

The 36-inch wide bucket has six heat-treated spring steel tines. It lifts to a maximum height of 9-1/2 feet to the heel of the bucket and tilts slightly as it raises to retain the load.

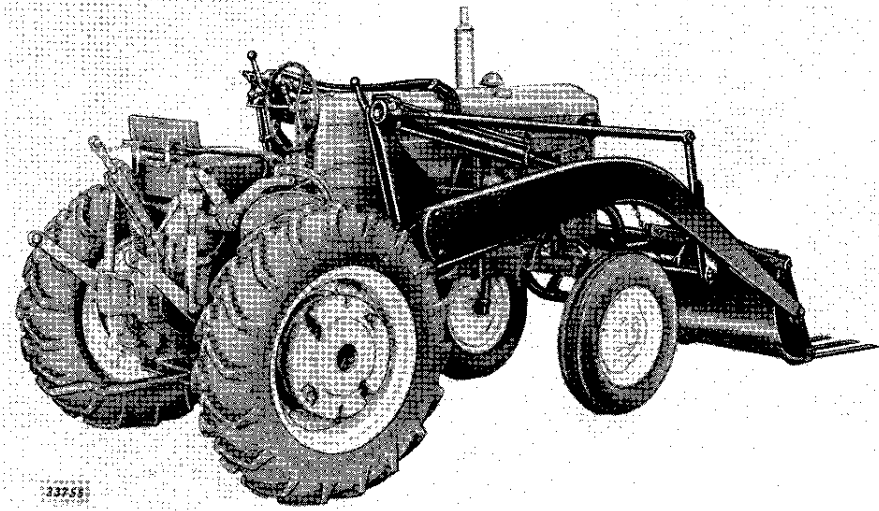
The valve control lever, bucket trip lever, and bucket hand leveling wheels are located within easy reach of the operator.



Right Front View of No. 30 Loader on John Deere Model "40" Standard Tractor



Left Front View of No. 30 Loader on John Deere Model "40" Standard Tractor



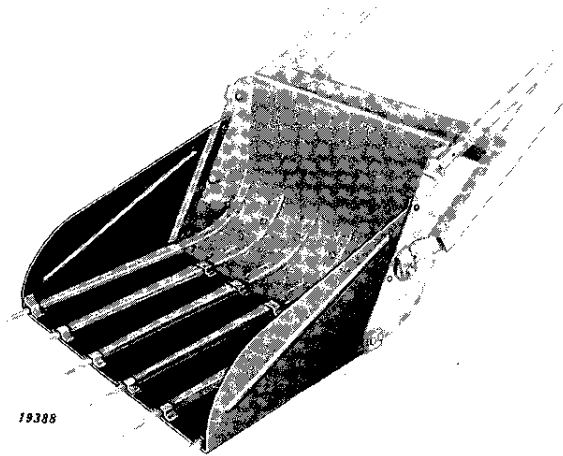
SPECIFICATIONS AND DATA

Length (Mounted on Tractor).....	15' 7"
Width (Rear) (Over-All) (With Tractor Rear Wheels Extended to 52-inch Minimum Tread).....	64" Approximate
Height.....	66-1/2"
Lift of Bucket.....	9' 6" to Heel of Bucket
Load.....	Effective Lift—For Breakaway—1400 lbs. Bucket Load—800 to 1000 lbs.
Recommended Operating Gear.....	Second Gear—3 Miles per Hour

FRONT TIRE DATA

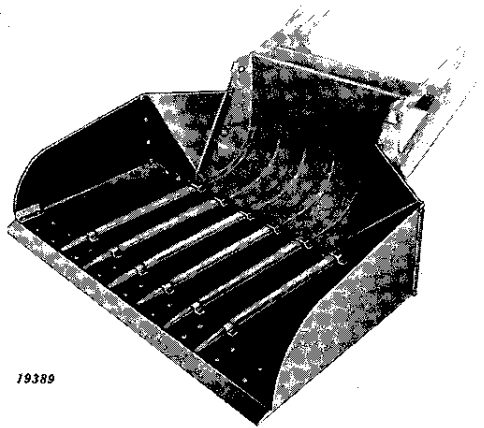
Satisfactory performance may be expected with standard tire equipment if load and ground conditions are favorable. Tire manufacturers' warranty, however, will not cover tire sizes other than 6.00 x 16, 6-ply for loader work. When loader is removed from tractor, reduce front tire inflation to manufacturer's recommendations.

ATTACHMENTS



DIRT BUCKET

The detachable dirt bucket provides an extension to the regular bucket for handling loose dirt and similar loose material.

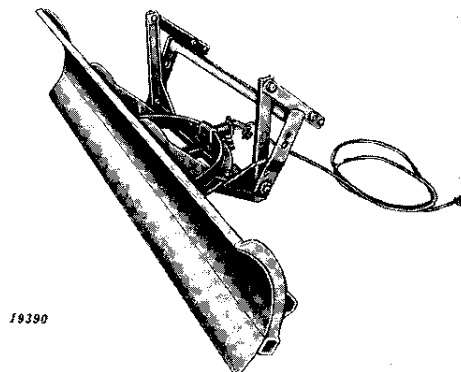


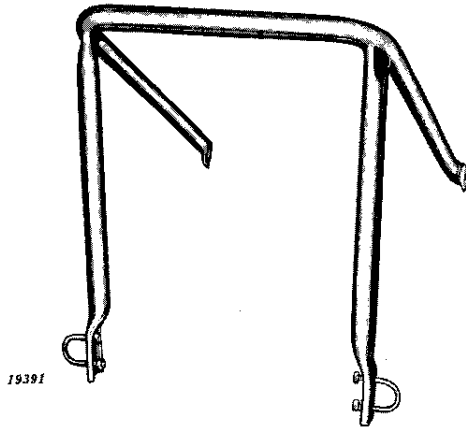
SNOW BUCKET

A snow bucket for removing snow from driveways, yards, etc., is available as extra equipment. It is convenient for handling cobs and other light material. It is easily attached to the regular manure bucket.

BULLDOZER ATTACHMENT

An angling bulldozer attachment for all types of scraper work is available as extra equipment. When using the bulldozer, the manure bucket is removed and the bulldozer attaches directly to the boom.





BUMPER ATTACHMENT

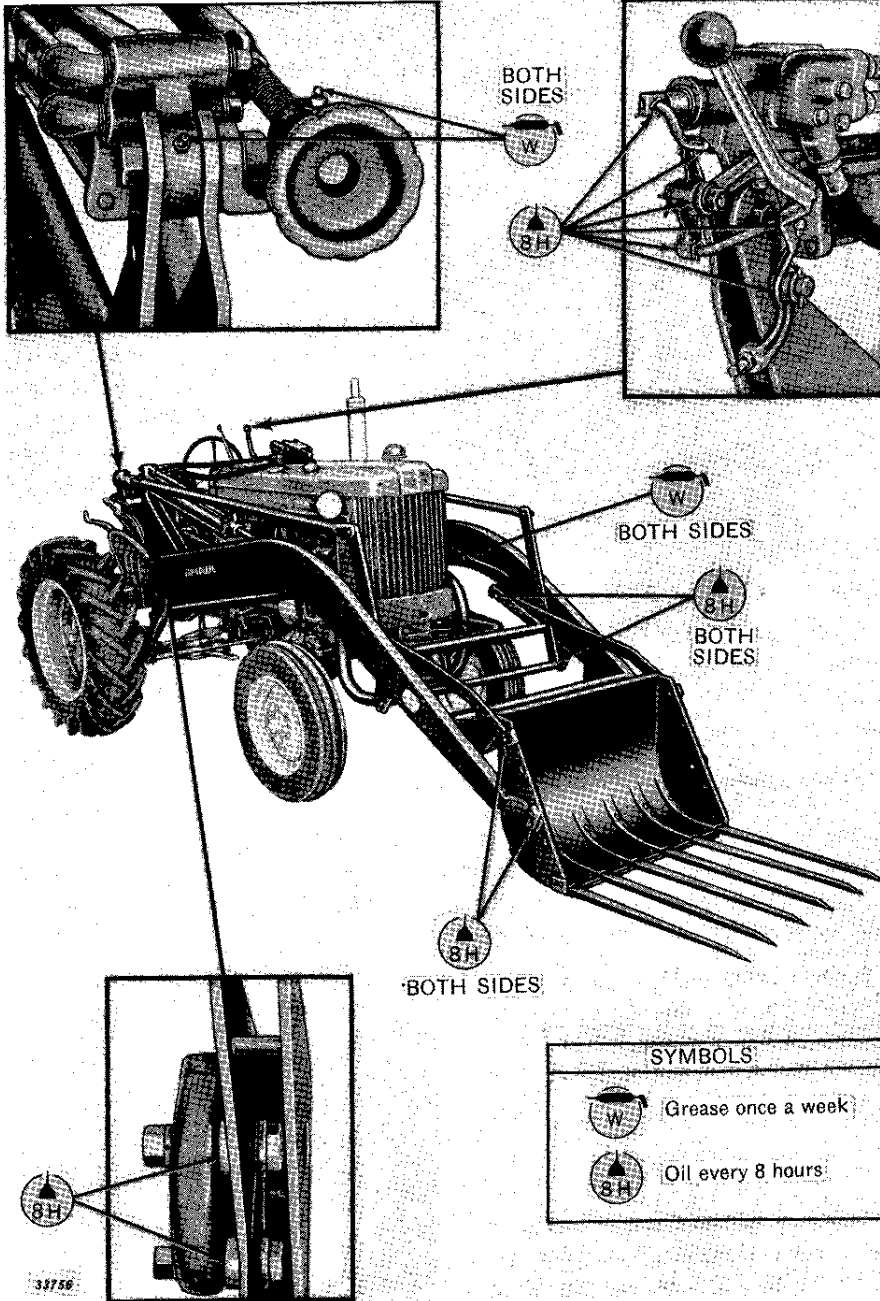
A bumper to protect the tractor radiator grille when loading into high trucks or wagons is available as extra equipment. This guard permits faster loading into trucks or high wagons.



EXHAUST DEFLECTOR

An exhaust deflector assembly which attaches to the exhaust pipe of the tractor and diverts the exhaust to the ground is available as extra equipment. This deflector eliminates the hazard of fire when removing manure from barns in which hay or straw is stored in hay mows.

LUBRICATION



OPERATION AND ADJUSTMENT

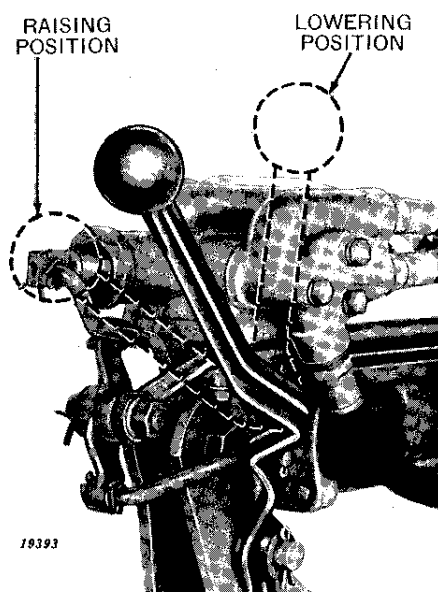


Figure 1

When right and left is referred to in this manual it is based on the position of the operator when sitting on the tractor seat and facing the forward direction of travel.

CONTROLS

Before beginning actual work, it is recommended that the operator check the operation of the loader by raising and lowering the bucket three or four times. This is accomplished by moving the control lever backward to raise and forward to lower. See Figure 1.

The first forward movement of control lever provides slow drop for safe lowering of loaded bucket. Fast drop, for maximum bucket loading in pile, is accomplished by full forward movement of control lever.

Never operate loader unless seated on tractor seat.

The bucket should raise or lower in a smooth unhesitant manner. If it hesitates check the oil level. The oil should be up to the oil level hole located at the back of the Touch-O-Matic reservoir when bucket is on the ground. Add 10-W motor oil if oil level is low.

In extremely cold weather, it is advisable to idle the tractor engine for ten or fifteen minutes to warm the oil before beginning loader operation.

PENETRATION

The suck of the bucket should be set to get satisfactory tine penetration. This is controlled by adjusting the hand wheels on either side of loader. (Figure 2.)

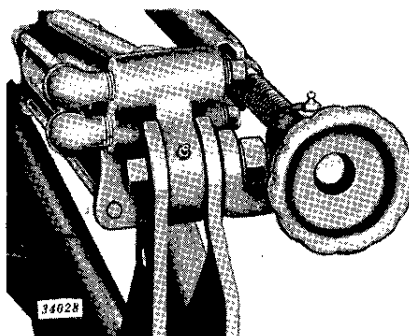


Figure 2

Thank you so much for reading.
Please click the “Buy Now!”
button below to download the
complete manual.



After you pay.

You can download the most
perfect and complete manual in
the world immediately.

Our support email:

ebooklibonline@outlook.com