

MT-88 CULTIVATOR AND MT-100 AND MT-120 REAR TOOL FRAMES



OPERATORS MANUAL MT-88 CULTIVATOR AND MT-100 AND MT-120 REAR TOOL FRAMES

OMD17851 (01AUG51) English

DEERE & COMPANY ARCHIVES
OMD17851 (01AUG51)

LITHO IN THE U.S.A.
ENGLISH



TO THE PURCHASER

This manual contains valuable information about your MT-88 Cultivator. In this manual you will find instructions and helpful suggestions for operating, attaching, adjusting, lubricating, setting-up, and servicing your new cultivator. Also included is a complete parts list with helpful illustrations to aid in proper identification of parts if replacement becomes necessary.

Keep this manual in a convenient place for quick and easy reference. Use it as a guide whenever questions arise. You have purchased a dependable sturdy machine, but only by proper care and operation can you expect to receive the service and long life designed and built into it.

If you need additional information, or if your cultivator requires special servicing, see your John Deere dealer. He has all the facilities required to keep your cultivator in A-1 condition. He will be glad to serve you.

Sometime in the future your cultivator may need new parts to replace worn or broken parts or for emergency repairs. If so, go to your John Deere dealer. He will see that you get high-quality, genuine John Deere parts. When ordering, be sure to give him the correct part number and description of the part desired. Such information can be obtained from the parts list section of this manual. This information will help him to identify the part you need.

If, after much active work, your cultivator requires attention, take it to your John Deere dealer for special service as soon as possible. By giving your cultivator proper attention during slack periods it will always be ready for use, without delays, when you need it.

Date of Purchase 19 . .

TABLE OF CONTENTS

	<i>Page</i>
IDENTIFICATION VIEWS.....	2-3
SPECIFICATIONS AND DATA.....	4
OPERATING AND ADJUSTING THE MT-88 CULTIVATOR..	5
Controlling Depth.....	5
Using Tipping Devices.....	5
Row Spacing and Tool Depth.....	6
Leveling Tool Bars.....	6
OPERATING AND ADJUSTING THE MT-100 OR THE MT-120 REAR TOOL FRAMES.....	7
General.....	7
Operating.....	7
Adjusting.....	7
MAINTENANCE SUGGESTIONS.....	8
TOOLS.....	9-13
EXTRA EQUIPMENT.....	14
SETTING UP MT-88 CULTIVATOR.....	15-19
Coupling Plate and Truss Rod Support.....	15
Main Frame.....	16
Front End.....	17
Front End with Wide Wheels.....	17
Parallel Links.....	18
Tool Bar.....	18
Tool Bar for High Clearance.....	19
Lift Rods.....	19
SETTING UP MT-100 OR MT-120 REAR TOOL FRAME.....	20
PARTS LIST.....	21-31
Using Parts List.....	21
Index to Parts List.....	21
Exploded Views and Lists of Parts.....	22-31
Numerical Index.....	32-33

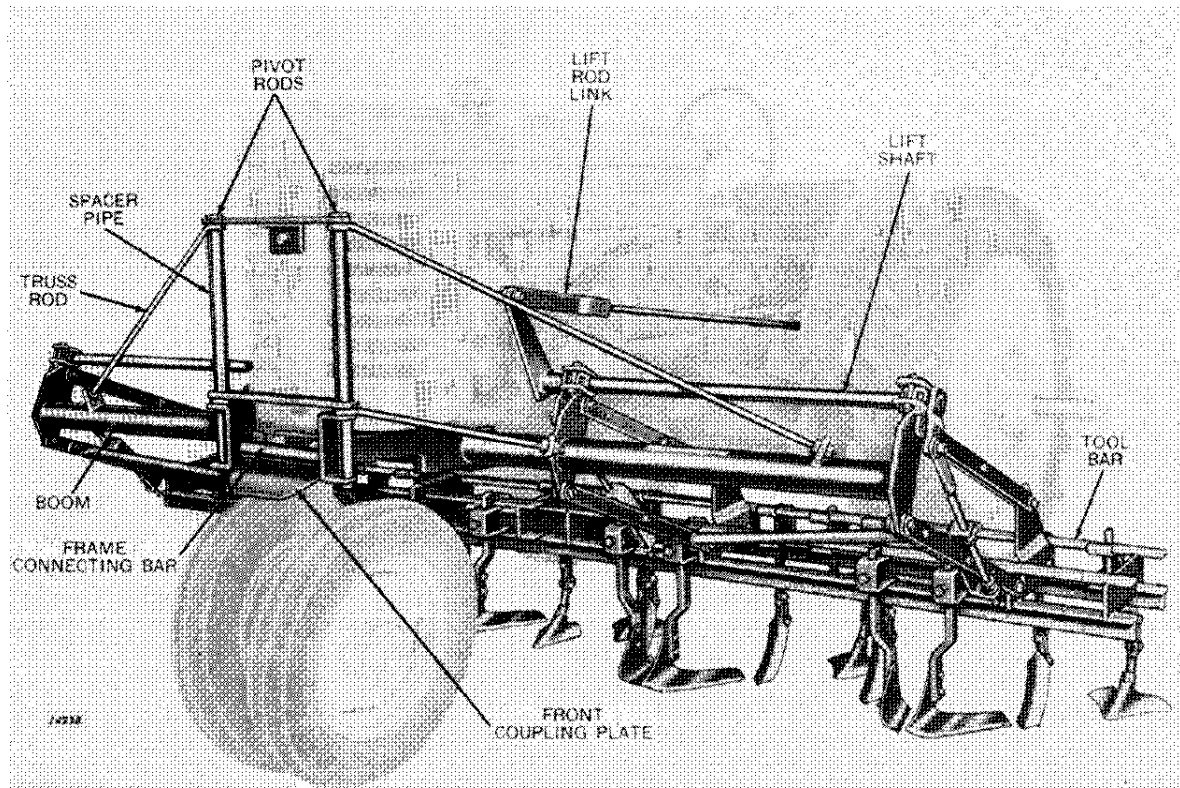


Figure 1—John Deere MT-88 Cultivator

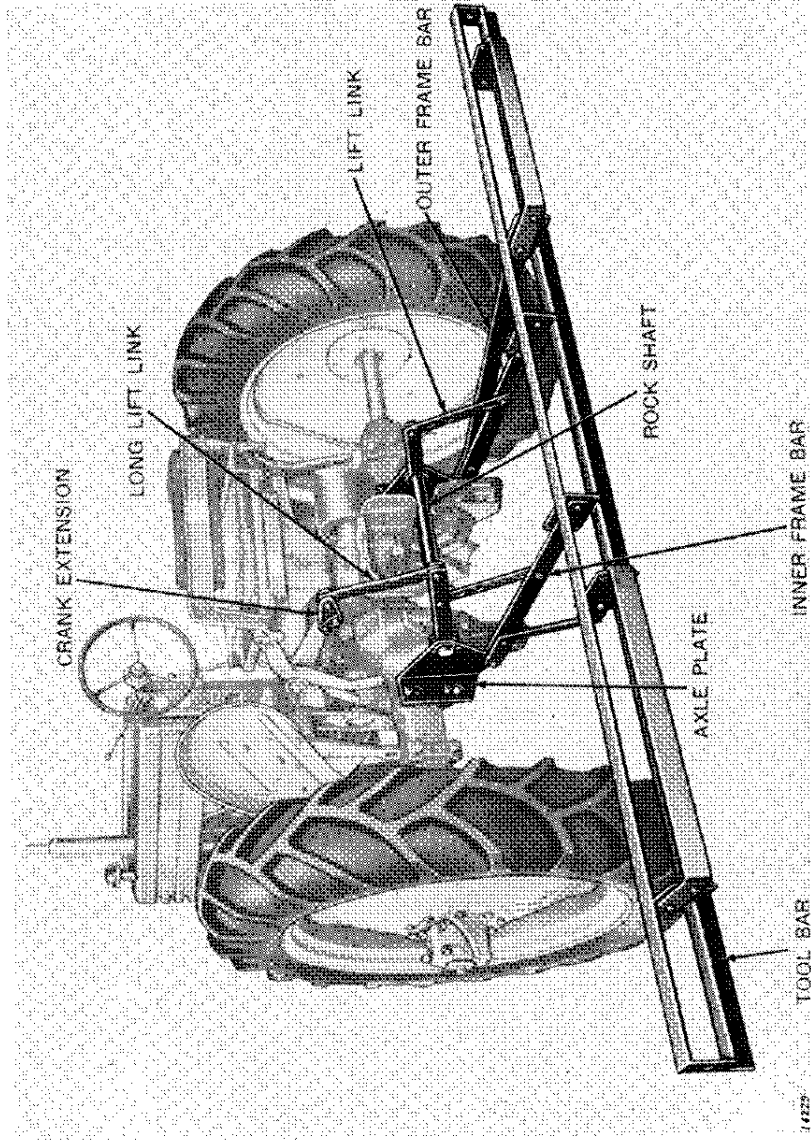


Figure 2—John Deere MT-100 Rear Tool Frame

SPECIFICATIONS AND DATA

- TOOL BAR**..... MT-88 Cultivator attaches to Model MT Tractor with regular front wheels, single front wheel, or wide front axle attachment. Double continuous type, front tool bars are made 120 or 136 inches long in 2 sections. The 120-inch tool bar cultivates a maximum of six 20-inch rows or four 30-inch rows. The 136-inch tool bar cultivates a maximum of six 22-inch rows or four 34-inch rows.
- REAR TOOL FRAME**..... MT-100 and MT-120 Rear Tool Frames attach to Model MT Tractors with regular front wheels, single front wheel or wide front axle attachment. Single continuous types, 100-inches or 120-inches long.
- CULTIVATING TOOLS**..... A complete line of cultivating tools attaches to the tool bar or rear tool frame. Tools having flat shanks 5/8" x 1-1/2" attach to the tool bar with clamp MD312D. Tools having flat shanks 7/16" x 1-3/8" use clamp MD254D. Any spacing of tools is possible by direct attachment to tool bar or by using offset shanks.
- DEPTH CONTROL**..... The Dual Touch-o-matic Control of the tractor assures positive depth control of cultivator at any desired depth. The left-hand front tool bar and the rear tool frame can be raised or lowered separately from the right-hand front tool bar. The rear tool frame can be controlled individually from both front tool bars, making delayed lift possible.
- FLEXIBILITY**..... Adjusting collars provide a means of controlling the amount of flexibility.
- CLEARANCE FOR MT-88**.. Clearance under tool bar:
Maximum Regular Clearance 23-inches
Maximum High Clearance 32-inches
- GAUGE WHEELS**..... Available when ordered, see page 14.
- MARKERS**..... Short or long available when ordered, see page 14.

(Detailed design is subject to change without notice.)

OPERATING AND ADJUSTING THE MT-88 CULTIVATOR

Operating from each side of the front of the tractor, the John Deere MT-88 Cultivator can handle a variety of tools and row spacings for cultivating practically all row crops.

When cultivation is desired in the tractor's rear wheel tracks, the MT-100 or MT-120 Rear Tool Frame is frequently used in conjunction with the MT-88 Cultivator.

CONTROLLING DEPTH.

The Dual Touch-o-matic Control of the tractor assures positive control of cultivator at any desired depth.

When the MT-88 Cultivator is used without the rear tool frame, the right and left sections of the cultivator can be raised or lowered together or independently.

When separate control of each section of the front cultivator is desired, and a rear tool bar is used, the rear tool bar raises or lowers with the left front section of the MT-88 Cultivator.

When a delayed lift action is desired, the rear tool bar can be raised or lowered independently of the front cultivator, both sections of the MT-88 Cultivator operating together.

Gauge wheels are also available for depth control, see Page 14.

USING TIPPING DEVICES.

The amount of pitch or suction is regulated by four tipping devices, two on each side. These devices will vary the amount of suction in the ground. Adjustments are made by unscrewing the adjusting nuts, Figure 3, and moving the bolt within the slot. Moving the bolt toward the rear of the slot will decrease pitch and suction. Moving the bolt toward the front will increase suction. Be sure to adjust all four tipping devices the same. Adjust these devices after a trial run in the field.

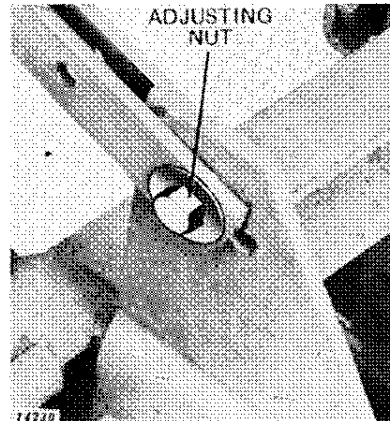


Figure 3

ROW SPACING AND TOOL DEPTH.

The set screw and clamps, shown in Figure 4, govern both row spacing and tool depth. For row spacing, loosen set screw and slide tool clamp along tool bar to desired position and tighten screw, being careful that tool has not slipped from correct depth. Row positions may be measured in inches from the inside end of tool bar to the center of the row. However, the most common method is to set the machine in the field where tools and tool clamp can be placed between the rows exactly as desired. Any row spacing is possible up to the length of the tool bar. To change tool depth, loosen set screw, raise or lower tool and tighten screw.

If the operator wishes to cultivate behind the tractor front wheel (tricycle type) a tool may be placed on the overhanging ends of the tool bar, or an offset standard may be used.

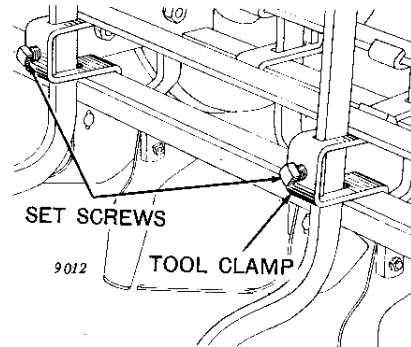


Figure 4

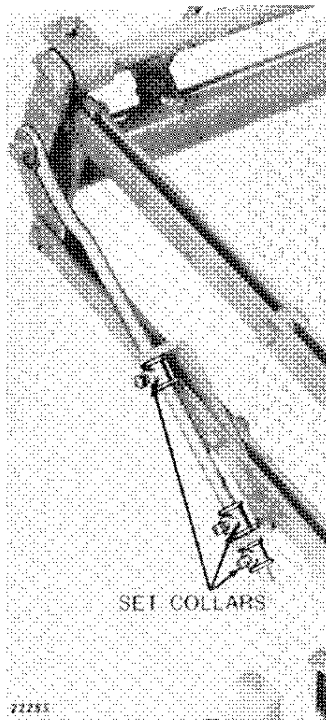


Figure 5

LEVELING TOOL BARS.

The upper set screw and collar, on the lower parallel link, Figure 5 provide a means of leveling the tool bar laterally and setting tool bar height. When the upper and outermost collar is loosened the outside end of tool bar will drop. When upper and innermost collar is loosened the inside end of tool bar will drop. Set all four upper collars the same.

The lower collar provides flexibility to the cultivator. The higher the lower collar is set the more flexibility is available.

OPERATING AND ADJUSTING THE MT-100 OR THE MT-120 REAR TOOL FRAME

GENERAL.

Rear tool frames are especially useful for running irrigation furrows or cutting out wheel tracks while cultivating with the MT-88 Cultivator. The only difference between the MT-100 and MT-120 is that the MT-100 has a 100-inch tool bar and the MT-120 has a 120-inch tool bar.

OPERATING.

The Dual Touch-o-matic Control of the tractor assures positive depth control at any desired depth. The MT-100 and MT-120 Rear Tool Frame can be raised or lowered with left hand front of cultivator, or individually.

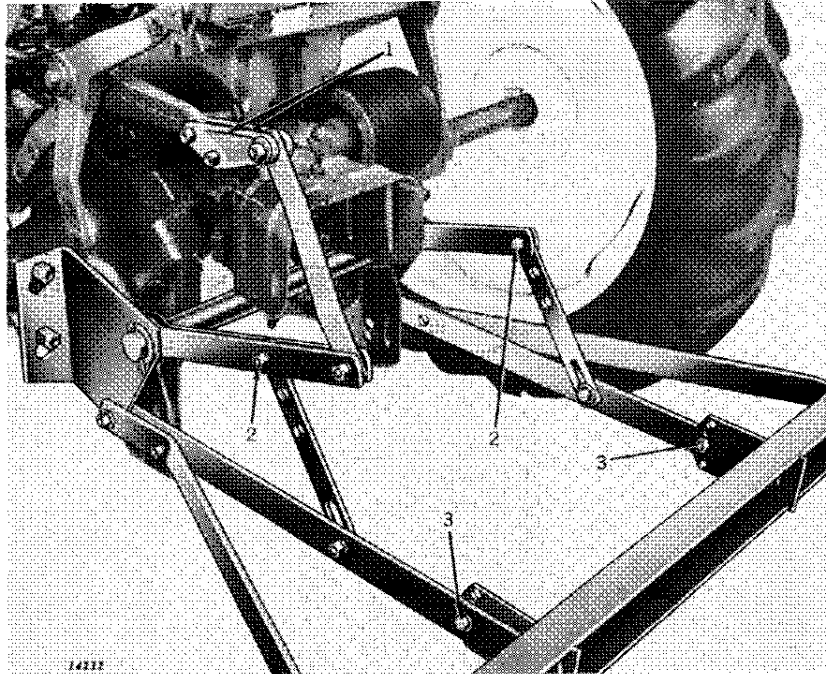


Figure 6

ADJUSTING.

Be sure that the two crank extensions 1, Figure 6, are attached as shown. To adjust the carrying height, move bolts 2, Figure 6, to the hole best suited for your conditions. This is also a means of controlling the depth of penetration in the ground.

To adjust the pitch or suction in the ground, remove the bolts at 3, Figure 6, also those at outer ends of tool bar. There are five holes in each position. A fine adjustment can be made with slots provided in the frame bars. After the amount of pitch has been determined, replace and tighten bolts and nuts.

Thank you so much for reading.
Please click the “Buy Now!”
button below to download the
complete manual.



After you pay.

You can download the most
perfect and complete manual in
the world immediately.

Our support email:

ebooklibonline@outlook.com