

850/950 FELLER BUNCHER

850 – 997440 – 997470

850 – 10BA1002 – 10BA1247

950 – 997440 – 997470

950 – 10BA1002 – 10BA1247

OPERATOR'S MANUAL 850/950 FELLER BUNCHER OMF292297

CALIFORNIA Proposition 65 Warning

Diesel engine exhaust and some of its constituents are known to the State of California to cause cancer, birth defects and other reproductive harm.



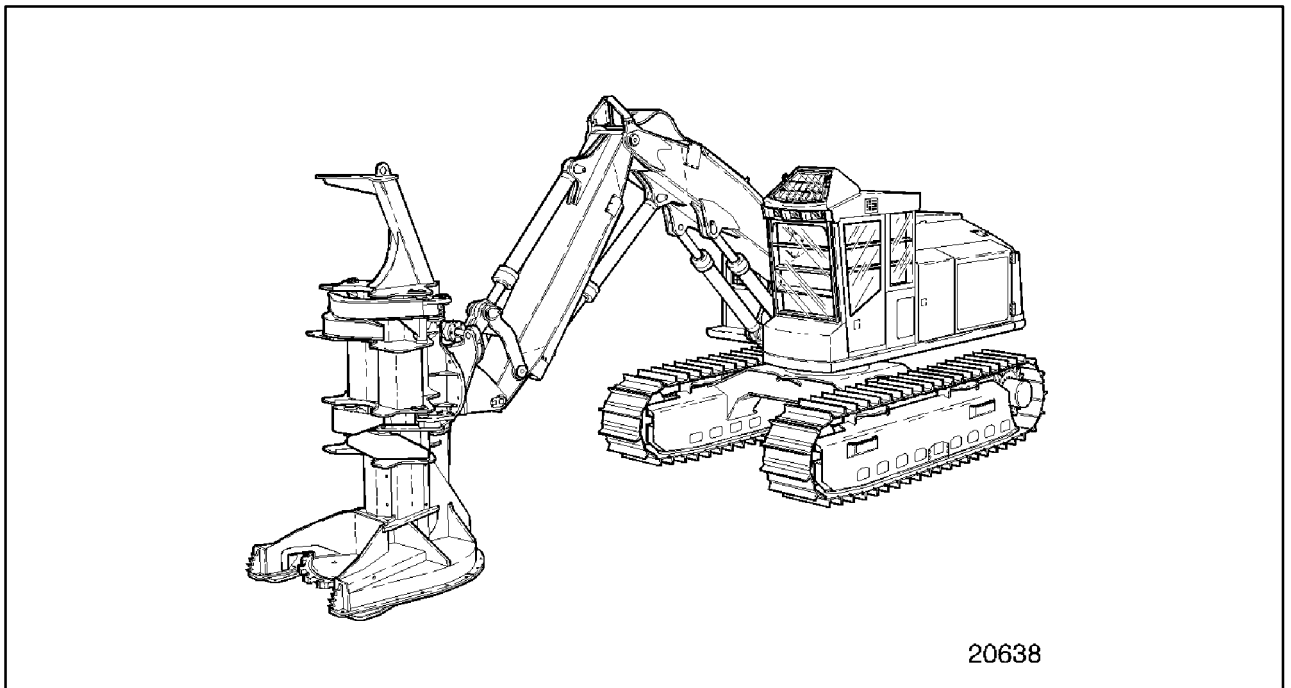
WARNING

The engine exhaust from this product contains chemicals known to the State of California to cause cancer, birth defects or other reproductive harm.

Worldwide Construction and Forestry Division

English

Operator and Maintenance Manual



850/950 Feller Buncher

Timberjack Inc.
P.O. Box 160
925 Devonshire Avenue
Woodstock, Ontario, Canada
N4S 7X1

Telephone: (519) 537-6271
Service Dept. Fax:
Product Support Fax: (519) 537-2664
Parts Dept. Fax:

Table of Contents

- 1. Introduction 1-1**
 - 1.1 Foreword 1-2
 - 1.2 Model and Serial Number Record 1-3
 - 1.3 Modifications or Repairs to Roll-over Protective Structures (ROPS) 1-4
 - 1.4 Non-approved Field Product Changes 1-6
 - 1.5 Sound Information 1-7

- 2. Warranty 2-1**
 - 2.1 Warranty Certificate - Timberjack Feller Bunchers 2-2
 - 2.2 Items Not Covered By Warranty 2-3

- 3. Safety Rules 3-1**
 - 3.1 Foreword 3-2
 - 3.2 Safety Symbol 3-2
 - 3.3 Understanding Signal Words 3-2
 - 3.4 General Safety Precautions 3-3
 - 3.5 Operating Safety Precautions 3-6
 - 3.6 Servicing Safety Precautions 3-9
 - 3.7 Fire Prevention 3-12
 - 3.8 What To Do If The Machine Catches Fire 3-13

- 4. Description 4-1**
 - 4.1 Introduction 4-2
 - 4.2 Equipment Nomenclature 4-2
 - 4.2.1 850 Feller Buncher 4-2
 - 4.2.2 950 Feller Buncher 4-4
 - 4.3 Controls and Instrumentation 4-6
 - 4.3.1 Operator Controls and Instruments 4-6
 - 4.3.2 Understanding the Gauges 4-8
 - 4.3.3 Switches and Gauges 4-10

Table of Contents

4. Description	4-1
4.3.4 Miscellaneous	4-19
4.3.5 Safety Items	4-26
4.3.6 Engine Enclosure	4-29
4.4 Auto-Lubrication System (Optional)	4-31
4.4.1 Description	4-31
4.4.2 System Configuration	4-34
4.4.3 Pump/Reservoir Assembly	4-35
4.4.4 Filling the System	4-36
<hr/>	
5. Operation	5-1
5.1 Driving the Feller Buncher	5-2
5.1.1 Pre-Start Checks	5-2
5.1.2 Before Starting The Engine	5-3
5.1.3 Starting/Operating The Engine	5-4
5.1.4 Hydraulic Oil Warm-up Procedure	5-6
5.1.5 Operating the Track Drive	5-7
5.1.6 Stopping Procedure	5-9
5.2 Operating the Implements	5-11
5.2.1 General	5-11
5.2.2 Joystick Control Lever - Left Hand	5-12
5.2.3 Joystick Control Lever - Right Hand	5-13
5.2.4 Control Panel	5-15
5.3 Felling Technique	5-17
5.3.1 Preparation Of Machine Before Leaving For Cutting Area	5-17
5.3.2 General	5-19
5.3.3 Felling Head	5-20
5.3.4 Cutting The Tree	5-21
5.3.5 Handling The Tree	5-22
5.3.6 Stopping The Disc Saw Blade	5-22
5.3.7 Cutting Multiple Trees	5-23

Thank you so much for reading.
Please click the “Buy Now!”
button below to download the
complete manual.



After you pay.

You can download the most
perfect and complete manual in
the world immediately.

Our support email:

ebooklibonline@outlook.com