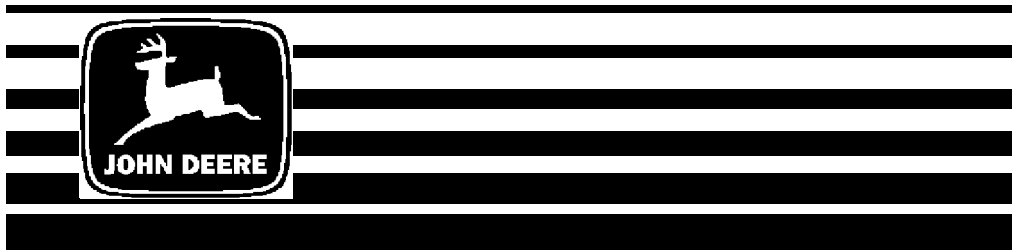


JX75 and JE75 21-Inch Walk-Behind Rotary Mowers

JX75 (Serial No. 010001 –)
JE75 (Serial No. 010001 –)



OPERATOR'S MANUAL

**John Deere
Worldwide Commercial and
Consumer Equipment Division
OMGC00132 I7**

North American Version
Litho in U.S.A
English

INTRODUCTION

THANK YOU for purchasing a John Deere product.

Read this manual thoroughly. Failure to do so could result in personal injury or equipment damage.



WARNING: The Engine Exhaust from this product contains chemicals known to the State of California to cause cancer, birth defects or other reproductive harm.

CALIFORNIA Proposition 65 Warning

This manual should be considered a permanent part of your machine and should remain with the machine when you sell it.

Measurements in this manual are metric units and their U.S. customary equivalents. RIGHT-HAND and LEFT-HAND sides are determined by facing in the direction the machine will travel when going forward. When you see a broken line arrow (- - - →) it indicates the part it is pointing to is hidden.

Record identification numbers below. Be sure to record all the numbers to help in tracing the machine if it is stolen. You also need to give these numbers to your dealer when you order parts.

Date of Purchase:

Dealer Name: _____ **Phone:** _____

Machine Serial Number:
□ □ □ □ □ □ □ □ □ □ □ □ □ □ □ □

Engine Serial Number:
□ □ □ □ □ □ □ □ □ □ □ □ □ □ □ □

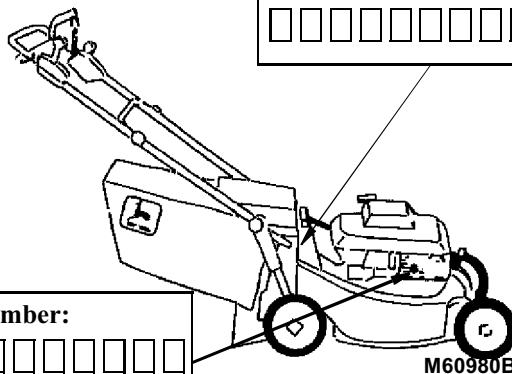


TABLE OF CONTENTS

	Page
Safety Signs	1
Controls	4
Operating	6
Lawn Care	18
Replacement Parts	23
Service Machine Safely	24
Service	26
Troubleshooting	51
Storing Machine	54
Assembly	57
Specifications	61
Warranty	64
Index	70
John Deere Service Literature	75

All information, illustrations and specifications in this manual are based on the latest information at the time of publication. The right is reserved to make changes at any time without notice.

COPYRIGHT© 1997
Deere & Co.
John Deere Worldwide Commercial and
Consumer Equipment Division
Horicon, WI
All rights reserved
Previous Editions
COPYRIGHT© 1996, 1995, 1994, 1992,
1991, 1990, 1989, and 1988

SAFETY SIGNS

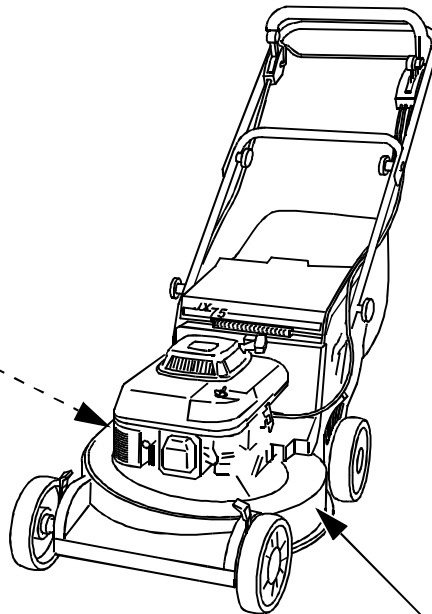
Safety-Alert Symbol

Read and recognize safety information. Be alert to the potential for personal injury when you see this safety-alert symbol.

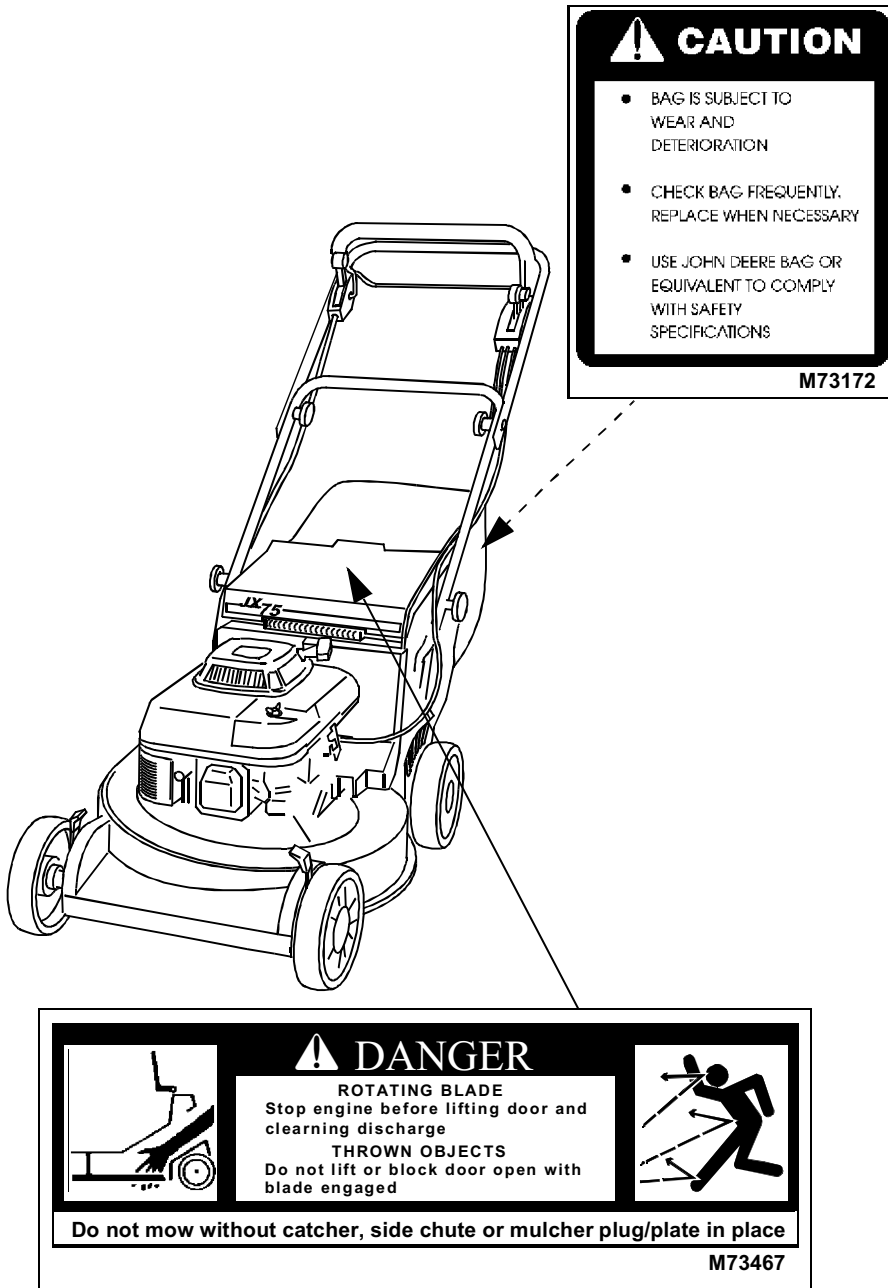
On your machine safety labels, the words DANGER, WARNING, and CAUTION are used with this safety-alert symbol. DANGER identifies the most serious hazards. In this manual, the word CAUTION and this symbol call attention to safety messages.



Machine Safety Labels



SAFETY SIGNS



Thank you so much for reading.
Please click the “Buy Now!”
button below to download the
complete manual.



After you pay.

You can download the most
perfect and complete manual in
the world immediately.

Our support email:

ebooklibonline@outlook.com