

# **Sabre Lawn Tractors** **1438GS, 1438HS, 1538HS, 1542HS,** **1642HS, 1646HS, 1846HV** **and 1846HMS**

Serial No. (010,001-)



## **OPERATOR'S MANUAL**

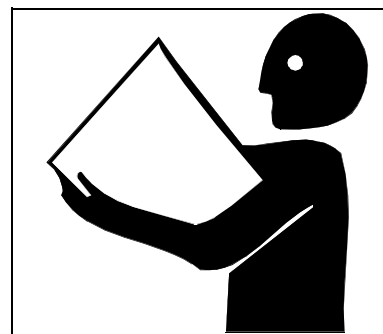
**John Deere**  
**Worldwide Commercial And**  
**Consumer Equipment Division**  
**OMGX10485 B9**

North American Version  
Litho in U.S.A.  
English

# INTRODUCTION

**THANK YOU** for purchasing a John Deere product.

Read this manual and your attachment manual thoroughly. Failure to do so could result in personal injury or equipment damage.



**WARNING:** The Engine Exhaust from this product contains chemicals known to the State of California to cause cancer, birth defects or other reproductive harm.

CALIFORNIA Proposition 65 Warning

This manual should be considered a permanent part of your machine and should remain with the machine when you sell it.

Product warranty is provided as part of John Deere's support program for customers who operate and maintain their equipment as described in this manual. The product warranty is explained on the warranty certificate you received from your dealer.

Measurements in this manual are metric units and their U.S. customary equivalents. RIGHT-HAND and LEFT-HAND sides are determined by facing in the direction the machine will travel when going forward. When you see a broken line arrow (----->), it indicates the part it is pointing to is hidden.

Record identification numbers below. Be sure to record all the numbers to help in tracing the machine if it is stolen. You also need to give these numbers to your dealer when you order parts.

**DATE OF PURCHASE:** \_\_\_\_\_

**DEALER NAME:** \_\_\_\_\_

**DEALER PHONE:** \_\_\_\_\_

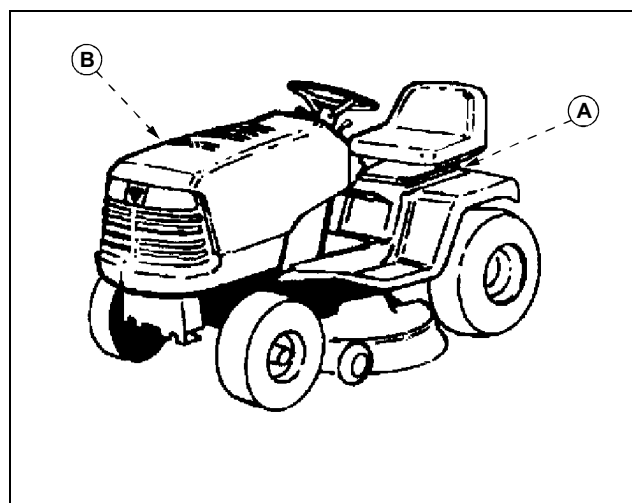
**TRACTOR SERIAL NUMBER (A), (Under seat):**

\_\_\_\_\_

**ENGINE SERIAL NUMBER (B), (Right side of engine):**

\_\_\_\_\_

*Sabre® is a registered trademark of Deere & Company*



---

---

# TABLE OF CONTENTS

---

---

|                                   |    |
|-----------------------------------|----|
| Assembly .....                    | 1  |
| Safety Signs.....                 | 10 |
| Controls .....                    | 12 |
| Operating the Machine .....       | 13 |
| Operating the Mower .....         | 31 |
| Replacement Parts .....           | 37 |
| Service Machine Safely .....      | 38 |
| Service Interval Chart.....       | 40 |
| Service Engine .....              | 42 |
| Service Steering and Brakes ..... | 51 |
| Service Mower.....                | 54 |
| Service Electrical .....          | 62 |
| Service Miscellaneous.....        | 67 |
| Removing Mower.....               | 74 |
| Installing Mower.....             | 76 |
| Troubleshooting .....             | 78 |
| Storing Machine.....              | 83 |
| Specifications.....               | 86 |
| Warranty .....                    | 90 |
| Index.....                        | 95 |
| Service Literature .....          | 99 |

All information, illustrations and specifications in this manual are based on the latest information at the time of publication. The right is reserved to make changes at any time without notice.

COPYRIGHT© 1999  
Deere & Co.

John Deere Worldwide Commercial and  
Consumer Equipment Division  
Horicon, WI

All rights reserved

Previous Editions  
COPYRIGHT© 1998, 1997, 1996

OMGX10485 B9

# ASSEMBLY

## Identify Parts

**NOTE:** If you are missing any parts see the **Replacement Parts** section for additional service part numbers.

A Operator's Manual  
Safety Video

B Seat

C Steering Wheel

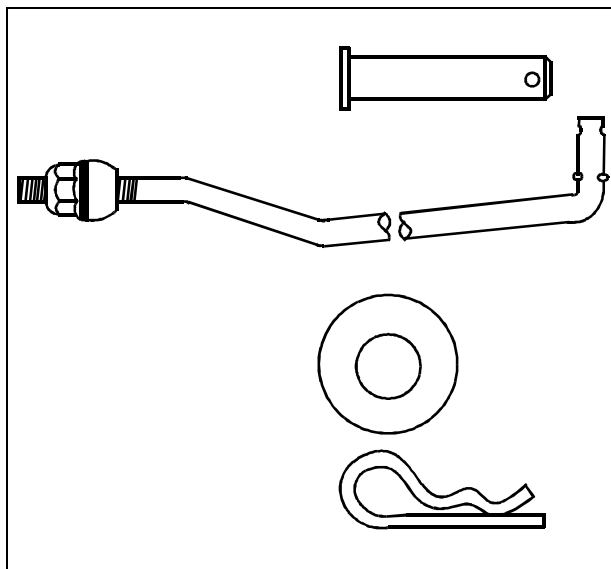
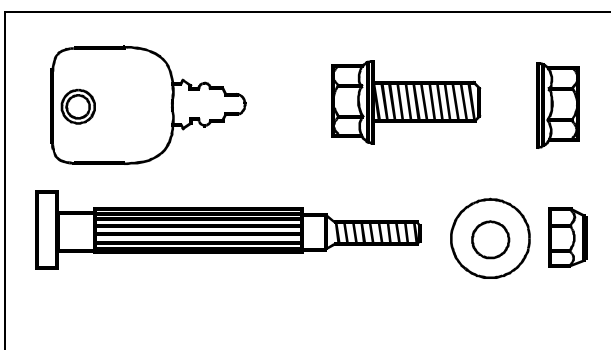
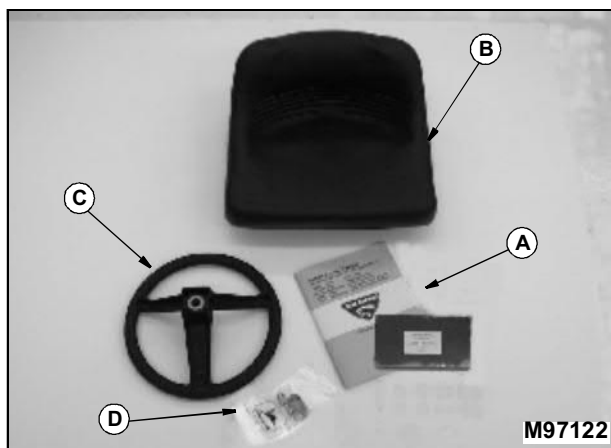
D Bag of Hardware

Common Hardware:

- 2 - Keys M127340 and M40718
- 2 - M8x16 Bolts - Battery 19M7775
- 2 - M8x16 Nuts - Battery 14M7303
- 1 - Serrated Screw - Steering Wheel M87404
- 1 - Flat Washer - Steering Wheel 24H1721
- 1 - M10-24 Nut - Steering Wheel M63662

46-Inch Deck Mounting Hardware:

- 2 - Rear Draft Pins H98765
- 2 - Front Draft Rod Assembly:
  - Rod Gx10093
  - Leveling Ball M112982
  - Nut 14M7400
- 3- Flat Washers 24H1305
- 5 - Spring Locking Pins J16931



# ASSEMBLY

## Seat Hardware:

### For Model 1846HMS:

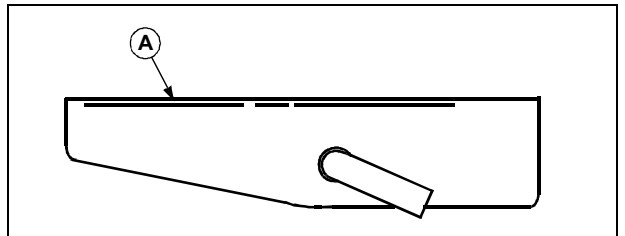
- 2 - Seat Knobs GX10425
- 2 - Seat Shoulder Bolts M96322
- 2 - Spacers (Serrated Washers) M120369
- 2 - Cupped Washers M120771

### For All Other Models:

- 2 - Seat Capscrews 19H1813
- 2 - Seat Shoulder Bolts M96322
- 2 - Flat Washers 24M7024
- 2 - Cupped Washers M120771

## Slide Adjuster Hardware:

- 4 - Seat Capscrews 19H2127
- 4 - Spring Washers M46935
- 2 - Flat Washers 24M7207
- 4 - Nylon Washers M123750
- 4 - Spacers M123751
- 1 - Seat Adjuster Assembly (A) AM121971

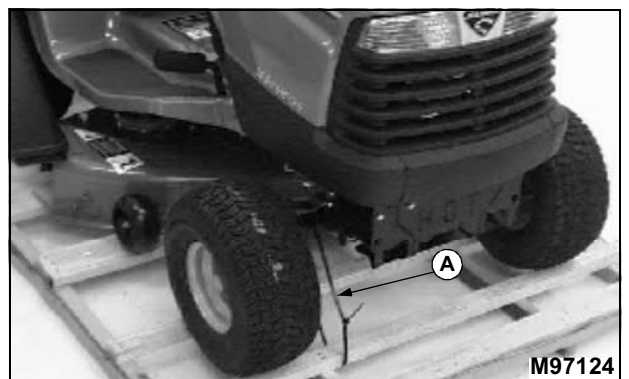


## Remove Packaging



**CAUTION: Avoid eye injury. Wear eye protection when removing wire bands. Wire bands are under tension and could snap when removed.**

1. Remove plastic and paper.
2. Remove wire band (A) securing front axle.
3. Remove steering wheel, seat, and bag of parts from seat base.



Thank you so much for reading.  
Please click the “Buy Now!”  
button below to download the  
complete manual.



After you pay.

You can download the most  
perfect and complete manual in  
the world immediately.

Our support email:

[ebooklibonline@outlook.com](mailto:ebooklibonline@outlook.com)