

**Scotts Lawn Tractors
S1642, S1742, and S2046**

OPERATOR'S MANUAL

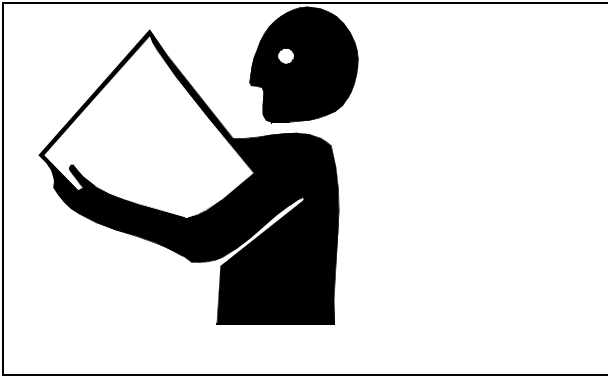


OMGX10532 K9

North American Version
Litho in U.S.A.

INTRODUCTION

THANK YOU for purchasing a Scotts product.



Read this manual and your attachment manual thoroughly. Failure to do so could result in personal injury or equipment damage.

This manual should be considered a permanent part of your machine and should remain with the machine when you sell it.

Product warranty is provided as part of John Deere's support program for customers who operate and maintain their equipment as described in this manual. The product warranty is explained on the warranty certificate you received from your dealer.

Measurements in this manual are metric units and their U.S. customary equivalents. RIGHT-HAND and LEFT-HAND sides are determined by facing in the direction the machine will travel when going forward. When you see a broken line arrow (----->), it indicates the part it is pointing to is hidden.

CALIFORNIA Proposition 65 Warning

⚠ Warning: The Engine Exhaust from this product contains chemicals known to the State of California to cause cancer, birth defects or other reproductive harm.

PRODUCT IDENTIFICATION

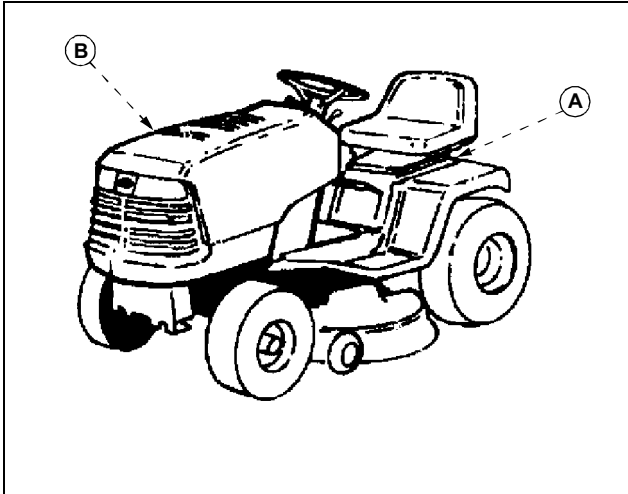
Record Identification Numbers

Scott's Lawn Tractors

S1642, S1742, and S2046 PIN No. (020001 -)

If you need to contact an Authorized Service Center for information on servicing, always provide the product model and serial number.

You will need to locate the identification number for the machine and for the engine. Record the information in the spaces provided below.



DATE OF PURCHASE:

DEALER NAME:

DEALER PHONE:

PRODUCT IDENTIFICATION NUMBER (A), (Under seat):

ENGINE SERIAL NUMBER (B), (Right side of engine):

TABLE OF CONTENTS

Contents

Assembly	1
Safety Signs	3
Controls	5
Operating Machine	6
Operating Mower	17
Replacement Parts	23
Service Machine Safely	25
Service Interval Chart	26
Service Engine	28
Service Steering and Brakes	34
Service Mower	37
Service Electrical	42
Service Miscellaneous	46
Removing Mower	50
Installing Mower	52
Troubleshooting	54
Storing Machine	58
Specifications	60
Warranty	63
Index	67

All information, illustrations and specifications in this manual are based on the latest information at the time of publication. The right is reserved to make changes at any time without notice.

COPYRIGHT© 1999
Deere & Co.
John Deere Worldwide Commercial and
Consumer Equipment Division
Horicon, WI
All rights reserved
Previous Editions
COPYRIGHT© 1998

OMGX10532 K9 - English

ASSEMBLY

Identify Parts

- A Operator's Manual
- B Safety Video
- C Bag of Hardware
- D Key

Bag of Hardware:

- 2 - M8x16 Bolts - Battery
- 2 - M8x16 Nuts - Battery

Connect and Check Battery



CAUTION: Avoid injury! Prevent Battery Explosions:

- Keep sparks, lighted matches, and open flame away from the top of battery. Battery gas can explode.
- Never check battery charge by placing a metal object across the posts. Use a volt-meter or hydrometer.
- Do not charge a frozen battery; it may explode. Warm battery to 16° C (60° F)

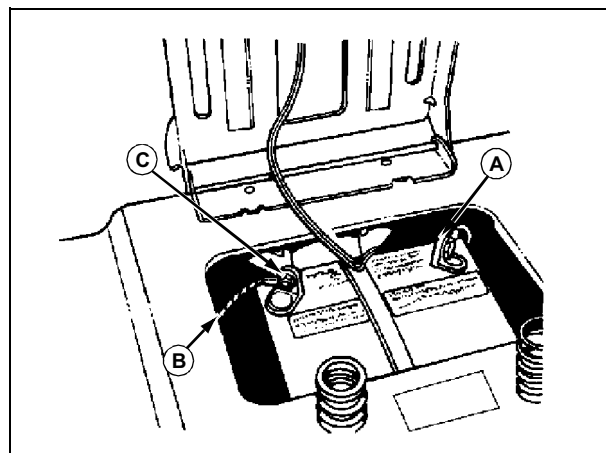
IMPORTANT: Avoid damage! This battery comes fully charged. If the mower is not used by the Service Expiration Date indicated on the battery, charge the battery. (See Charging the Battery in the Service - Electrical section.)



CAUTION: Avoid injury! DO NOT attempt to open, add fluid or service battery. Any attempt to do so will void warranty and lead to possible injury.

NOTE: Do not remove the BLACK negative (-) protective cap at this time.

1. Remove and discard the RED positive (+) protective cap from the positive (+) battery terminal.



2. Connect RED positive (+) cable (A) to battery with 6mm hex head bolt and 6 mm flange nut. Tighten securely. Apply petroleum jelly or silicone spray to terminal to prevent corrosion. Install the red terminal cover.
3. Remove and discard the BLACK (-) protective cap from the negative battery terminal.
4. Connect silver braided grounding cable (B) to the negative (-) terminal (C) with remaining 6 mm hex head bolt and 6 mm flange nut and tighten securely. Apply petroleum jelly or silicone spray to terminal to prevent corrosion.

42-Inch Mowers Only



CAUTION: Avoid injury! Never operate the mower without the discharge chute guard in place.

- If tractor/mower deck is being set-up for mulching, install mulch cover kit. (See Using Mower Deck Mulch Ready in the Operating Mower section.)
- If tractor/mower deck is being set-up for side discharger or 2-bag bagger DO NOT install mulch cover kit. (See Using Mower Deck Side Discharge OR Using Mower Deck

Thank you so much for reading.
Please click the “Buy Now!”
button below to download the
complete manual.



After you pay.

You can download the most
perfect and complete manual in
the world immediately.

Our support email:

ebooklibonline@outlook.com