

JOHN DEERE
WORLDWIDE COMMERCIAL & CONSUMER
EQUIPMENT DIVISION

Sabre Lawn Tractors
1438GS, 1438HS, 1542HS, 1742GS,
1742HS and 2046HS

OMGX10782 H0

OPERATOR'S MANUAL



North American Version
Litho in U.S.A.

INTRODUCTION

Thank You for Purchasing a John Deere Product

We appreciate having you as a customer and wish you many years of safe and satisfied use of your machine.

Using Your Operator's Manual

This manual is an important part of your machine and should remain with the machine when you sell it.

Reading your operator's manual will help you and others avoid personal injury or damage to the machine. Information given in this manual will provide the operator with the safest and most effective use of the machine. Knowing how to operate this machine safely and correctly will allow you to train others who may operate this machine.

This manual and safety signs on your machine may also be available in other languages (see your John Deere dealer to order).

Sections in your operator's manual are placed in a specific order to help you understand all the safety messages and learn the controls so you can operate this machine safely. You can also use this manual to answer any specific operating or servicing questions. A convenient index located at the end of this book will help you to find needed information quickly.

The machine shown in this manual may differ slightly from your machine, but will be similar enough to help you understand our instructions.

RIGHT-HAND and LEFT-HAND sides are determined by facing in the direction the machine will travel when going forward. When you see a broken line arrow (----->), the item referred to is hidden from view.

Before delivering this machine, your dealer performed a predelivery inspection to ensure best performance.

Special Messages

Your manual contains special messages to bring attention to potential safety concerns, machine damage as well as helpful operating and servicing information. Please read all the information carefully to avoid injury and machine damage.

IMPORTANT: Avoid damage! This text is used to tell the operator of actions or conditions that might result in damage to the machine.

NOTE: General information is given throughout the manual that may help the operator in the operation or service of the machine.

CALIFORNIA Proposition 65 Warning

Warning: The Engine Exhaust from this product contains chemicals known to the State of California to cause cancer, birth defects or other reproductive harm.



CAUTION: Avoid injury! This symbol and text highlight potential hazards or death to the operator or bystanders that may occur if the hazards or procedures are ignored.

PRODUCT IDENTIFICATION

Record Identification Numbers

Sabre Lawn Tractors

1438GS, 1438HS, 1542HS PIN (020001 -)

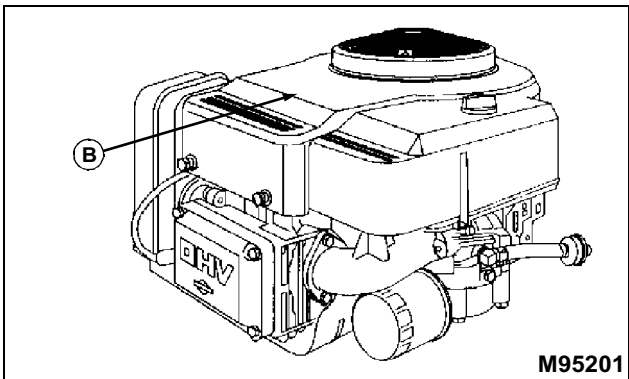
1742GS, 1742HS, 2046HS PIN (010001 -)

If you need to contact an Authorized Service Center for information on servicing, always provide the product model and identification numbers.

You will need to locate the identification numbers for the product. Record the information in the spaces provided below.



PRODUCT IDENTIFICATION NUMBER (A):



Picture Note: 14, 15 and 17hp engine shown.

ENGINE SERIAL NUMBER (B):

DATE OF PURCHASE:

DEALER NAME:

DEALER PHONE:

Sabre® is a registered trademark of Deere & Company

TABLE OF CONTENTS

Safety	1
Operating	8
Replacement Parts	21
Service Intervals	22
Service Lubrication	23
Service Engine	24
Service Steering and Brakes	30
Service Mower	32
Service Electrical	39
Service Miscellaneous	42
Troubleshooting	44
Storage	48
Assembly	50
Specifications	53
Warranty	56
Index	60

All information, illustrations and specifications in this manual are based on the latest information at the time of publication. The right is reserved to make changes at any time without notice.

COPYRIGHT© 2000
Deere & Co.

John Deere Worldwide Commercial and
Consumer Equipment Division
Horicon, WI

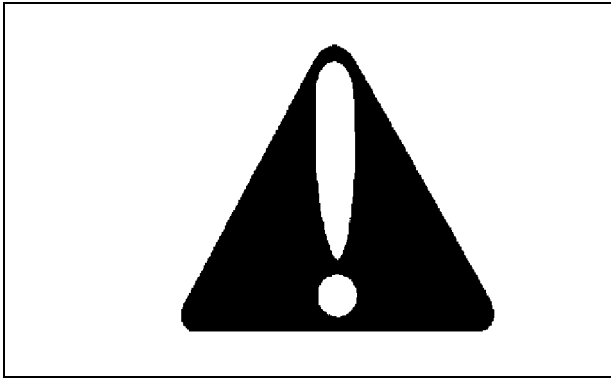
All rights reserved
Previous Editions

COPYRIGHT© 1999, 1998, 1997, 1996

OMGX10782 H0 - English

SAFETY

Understanding The Machine Safety Labels

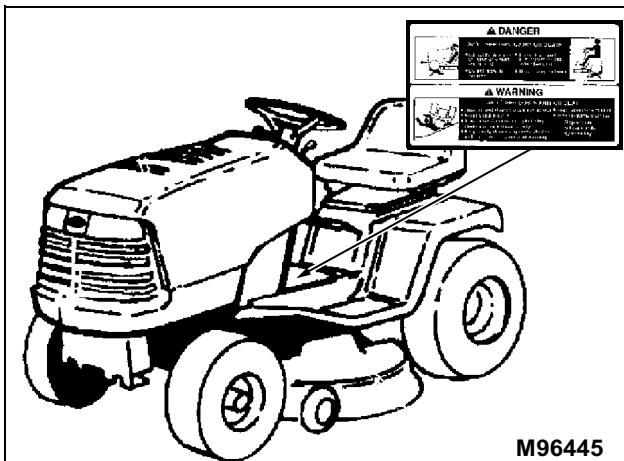


The machine safety labels shown in this section are placed in important areas on your machine to draw attention to potential safety hazards.

On your machine safety labels, the words DANGER, WARNING, and CAUTION are used with this safety-alert symbol, (▲). DANGER identifies the most serious hazards.

The operator's manual also explains any potential safety hazards whenever necessary in special safety messages that are identified with the word, CAUTION, and the safety-alert symbol, (▲).

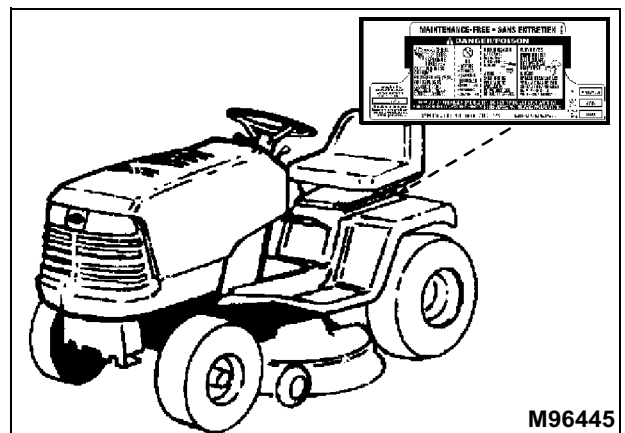
DANGER-WARNING: AVOID SERIOUS INJURY OR DEATH



- Do not mow when children or others are around.
- Do not mow in reverse.
- Look down and behind before and while backing.
- Never carry children even with blades off.
- Drive up and down slopes, not across.
- Avoid sudden turns.

- If machine stops going uphill, stop blade and back down slowly.
- Keep safety devices (guards, shields, and switches) in place and working.
- Read operator's manual.
- When leaving machine:
 - Stop engine
 - Set park brake
 - Remove key

DANGER: POISON



Picture Note: Located on battery, under seat.

- Shield eyes. Explosive gases can cause blindness or injury.
- No sparks, flames, smoking.
- Sulfuric acid can cause blindness or severe burns.
- Flush eyes immediately with water.
- Get medical help fast.
- Keep out of the reach of children.
- Do not tip.
- Do not open battery!

Thank you so much for reading.
Please click the “Buy Now!”
button below to download the
complete manual.



After you pay.

You can download the most
perfect and complete manual in
the world immediately.

Our support email:

ebooklibonline@outlook.com