

**FEED ROLLS
ATTACHMENT FOR NO. 12-A
COMBINE & NO. 12-A
COMBINE EQUIPPED
WITH FEED ROLLS
(SERIAL NO. 12-87604 & UP)**



JOHN DEERE

OPERATORS MANUAL

FEED ROLLS ATTACHMENT FOR NO. 12-A
COMBINE & NO. 12-A COMBINE EQUIPPED WITH
FEED ROLLS (SERIAL NO. 12-87604 & UP)

OMH15251 (01FEB51) English

OMH15251 (01FEB51)

LITHO IN THE U.S.A.
ENGLISH



TO THE PURCHASER

The purpose of this Manual is to give you useful information on how to operate your John Deere No. 12-A Combine equipped with Feed Rolls.

Information regarding setting-up of the John Deere No. 12-A Combine will be found in the Setting-Up Manual, OM-H4. General Operation of the John Deere No. 12-A Combine will be found in the Operator's Service Manual, OM-H3.

This Feed Rolls Attachment will handle flax and other hard-to-thresh crops. See Adjustments for Various Crops.

Before operating Combine in a different crop, see that it is properly adjusted for that crop.

Be sure to have the proper roll spacing.

Check roll pressure from time to time.

Keep strippers properly adjusted to prevent leakage of material.

TABLE OF CONTENTS

ADJUSTING AND OPERATING No. 12-A COMBINE EQUIPPED WITH FEED ROLLS.....	2-5
General Instructions.....	2
Field Adjustments.....	2-4
Roll Spacing.....	2-3
Roll Pressure.....	2
Lower Roll Stripper Adjustments.....	2
Adjustment of Front Stripper.....	2
Adjustment of Roll Spacing.....	3
Adjustment of Rear Stripper.....	4
DRIVE ROLLER CHAINS.....	4
ADJUSTMENTS FOR VARIOUS CROPS.....	5
Flax and Radish Seeds.....	5
Clovers, Timothy and Other Grass Seeds.....	5
Soybeans.....	5
Edible Beans.....	5
Wheat, Barley, Rye and Oats.....	5
SHIPPING PACKAGES.....	6-7
SETTING-UP FEED ROLLS ATTACHMENT.....	8-14
SETTING-UP No. 12-A COMBINE EQUIPPED WITH FEED ROLLS.....	15-18
V-Belts.....	15
Main Drive Gear Case.....	16
Platform Lifting Parts.....	16-18
PARTS LIST AND ILLUSTRATIONS.....	19-27
NUMERICAL INDEX.....	28-29

INSTRUCTIONS FOR ADJUSTING AND OPERATING JOHN DEERE No. 12-A COMBINE EQUIPPED WITH FEED ROLLS

The lower feed roll is of heavy steel tubing and the upper roll is of extra tough rubber vulcanized over steel—both rolls are full length of cylinder.

The combination rubber and steel rolls crush the flax bolls or seed pods and free the seed without injury, thus allowing easy separation at the cylinder. The rolls because of their slow-feeding action, are also beneficial in threshing other crops listed under "Adjustments for Various Crops". The cylinder does little other than loosen up the material and pass it over the grate surface onto the straw rack.

The top roll runs slightly faster than the lower roll giving a rubbing action which further adds to clean threshing. Pressure on top roll is maintained by heavy coil springs. The tension of springs is readily adjusted.

FIELD ADJUSTMENTS

In general, the field adjustments for the No. 12-A Combine with feed rolls are the same as those for the standard No. 12-A. Refer to your copy of the "Operator's Service Manual", OM-H3.

The field adjustments of the feed roll unit consists of roll spacing and roll pressure. These adjustments are easily made.

Roll Spacing

There should be a slight opening between the rolls. They should not contact each other. The amount of opening required depends upon the crop being handled. Specific roll spacings will be given under the heading "Adjustments for Various Crops".

Roll Pressure

Pressure adjustment is independent of spacing adjustment. Crops that are hard to thresh require a greater pressure than those that thresh easily.

To Adjust Pressure: Turn hexagon nut "B", Figure 1, below support bracket for adjusting bolt, to the **left to increase** and to the **right to decrease** spring tension; adjust both sides evenly. Amount of pressure can be determined by measuring spring compression as shown at "C", Figure 1. This varies, see "Adjustments for Various Crops".

Lower Roll Stripper Adjustments

Strippers are provided for front and rear of lower roll to prevent leakage of material. They should be adjusted to just clear roll at all times.

Adjustment of Front Stripper: Front stripper "D", Figure 1, (leather) should be adjusted to the rear so it just touches roll. To Adjust: Loosen bolts and slide stripper toward roll. Holes are slotted. Adjust evenly full length of roll.

Adjustment of Roll Spacing. Turn adjusting bolt "A", Figure 1, to obtain proper opening. Check with shim for desired spacing. Adjust both sides evenly.

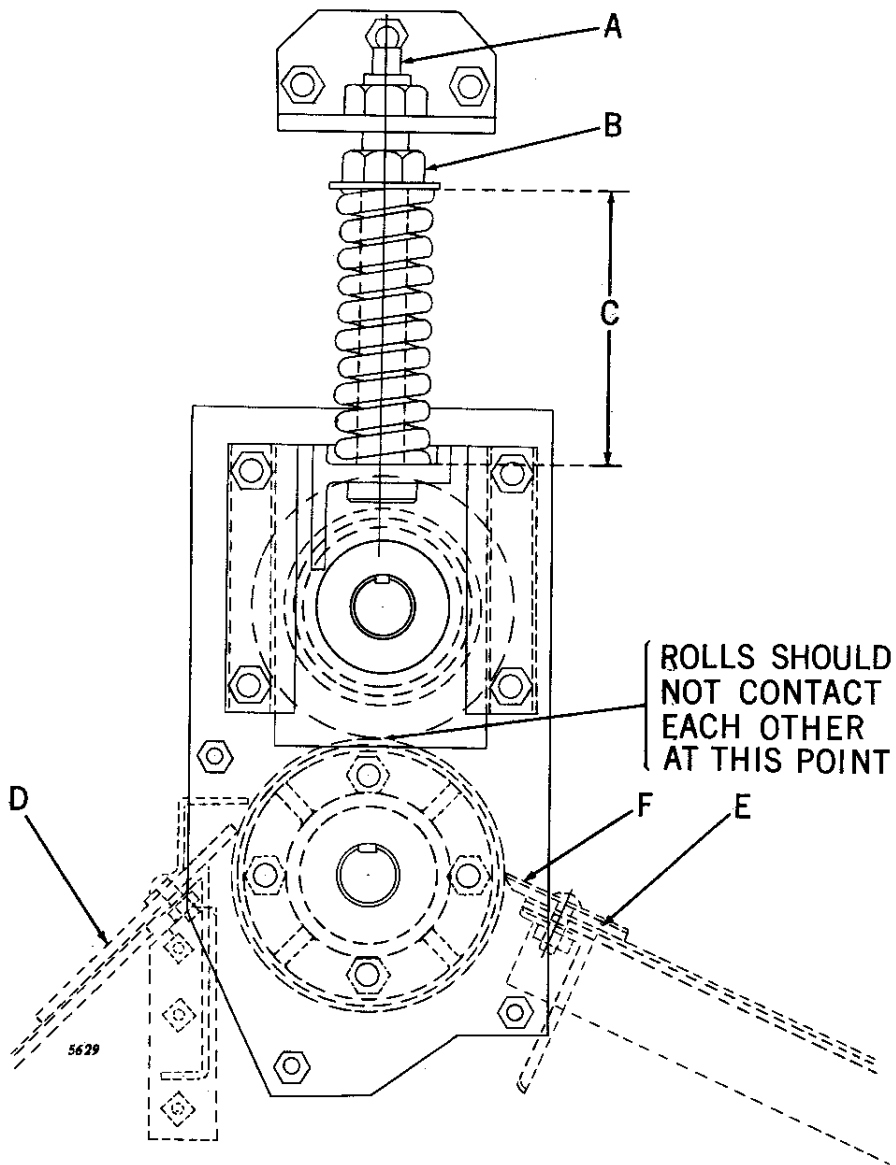


Figure 1

Thank you so much for reading.
Please click the “Buy Now!”
button below to download the
complete manual.



After you pay.

You can download the most
perfect and complete manual in
the world immediately.

Our support email:

ebooklibonline@outlook.com